

Printheads

●Characteristics

Parameter	Symbol	Typical	Unit
Effective printing width	-	108.4	mm
Dot pitch	-	0.0847	mm
Total dot number	-	1280	dots
Average resistance value	Rave	1250	Ω
Applied voltage	V _H	24	V
Applied power	P _O	0.41	W / dot
Print cycle	SLT	0.83	ms
Pulse width	T _{ON}	0.28	ms
Maximum number of dots energized simultaneously	-	1280	dots
Maximum clock frequency	-	10	MHz
Maximum roller diameter	-	20	mm
Running life / pulse life	-	50 / 10 ⁸	km / pulses
Operating temperature	-	60	°C

●Pin configuration

HIROSE

No.	Circuit	No.	Circuit
1	GND	2	VDD
3	DI 2	4	CLK (CP)
5	/LAT	6	/STB 2
7	NC	8	DI 1
9	/STB 1	10	NC
11	TM	12	TM
13	SENS 3	14	SENS 2
15	SENS 1	16	BEO
17	NC	18	NC
19	NC	20	NC
21	NC	22	NC
23	NC	24	NC
25	NC	26	NC

JST

No.	Circuit
1	COM
2	COM
3	COM
4	GND
5	GND
6	GND

Printheads

●Timing chart

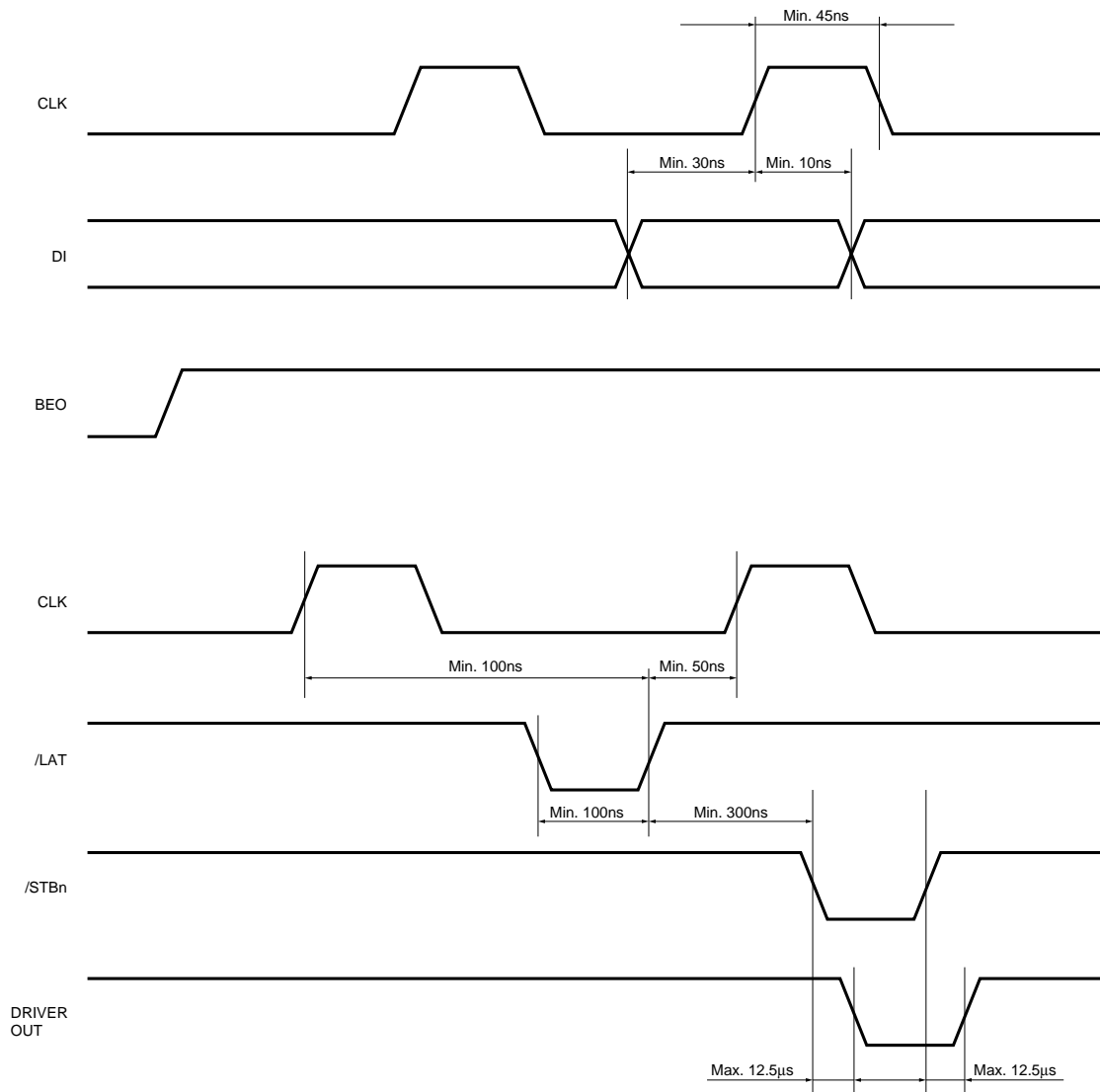
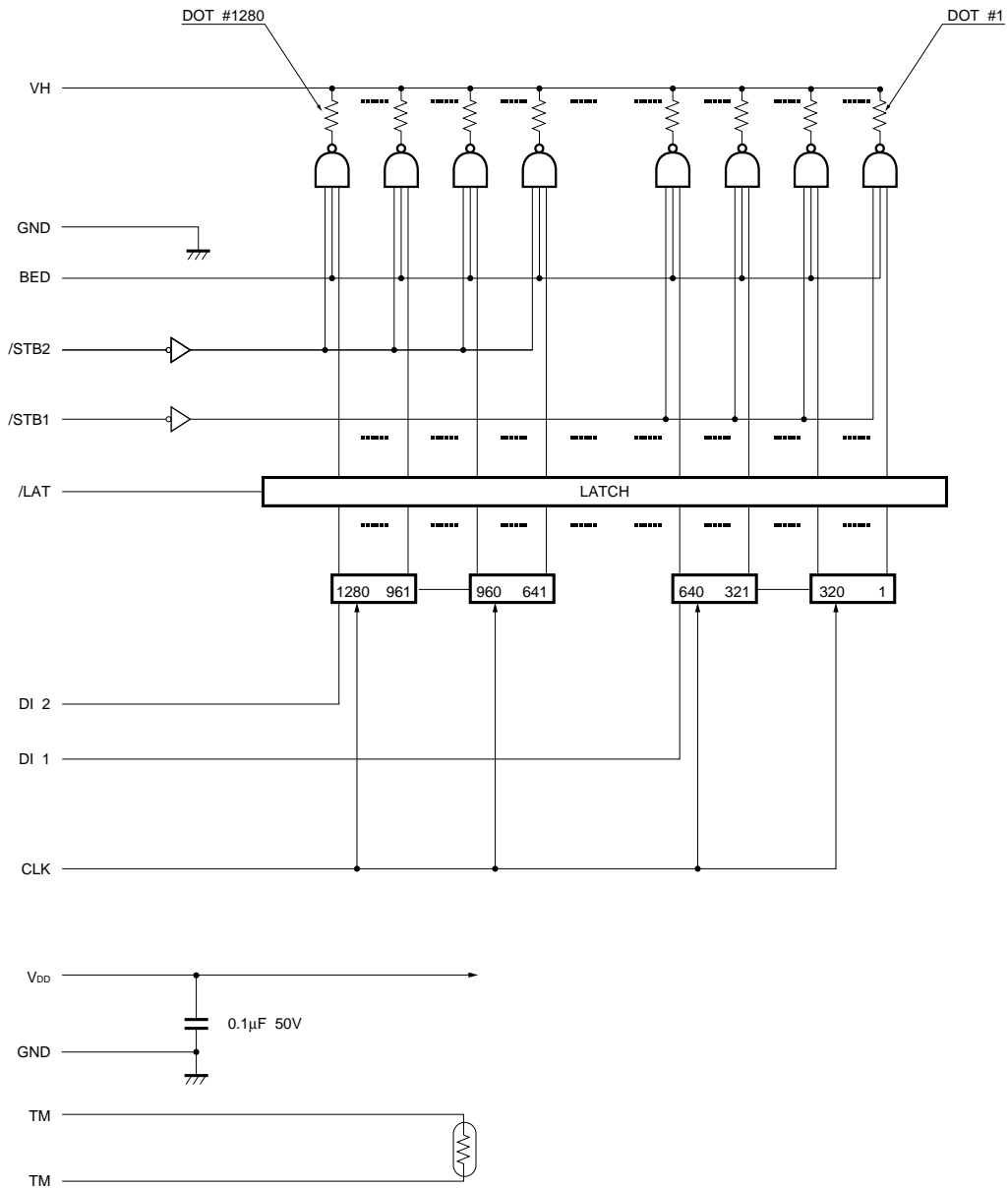


Fig.1

Printheads

●Equivalent circuit



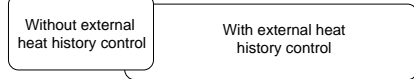
DI No.	DOT No.	/STB No.	DOT No.
DI 2	1280~641	/STB2	1280~641
DI 1	640~1	/STB1	640~1

Fig.2

Printheads

●Adaptation speed chart

Inch / second [IPS]											
0	1	2	3	4	5	6	7	8	9	10	OVER



●Data sheet

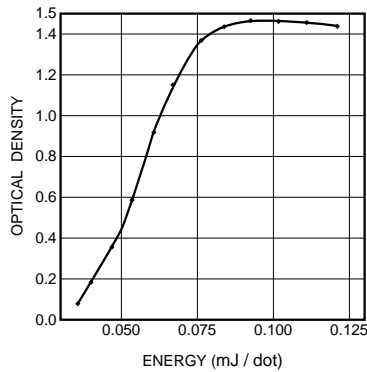


Fig. 3 Representative density curve

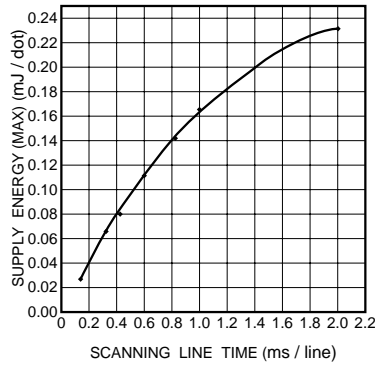


Fig. 4 Maximum energy curve

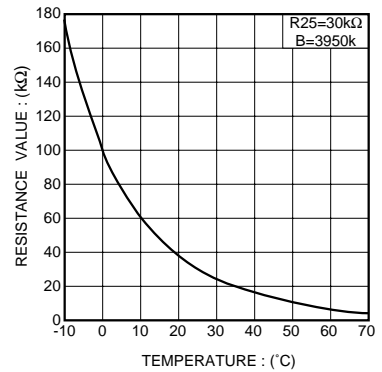


Fig. 5 Thermistor curve