

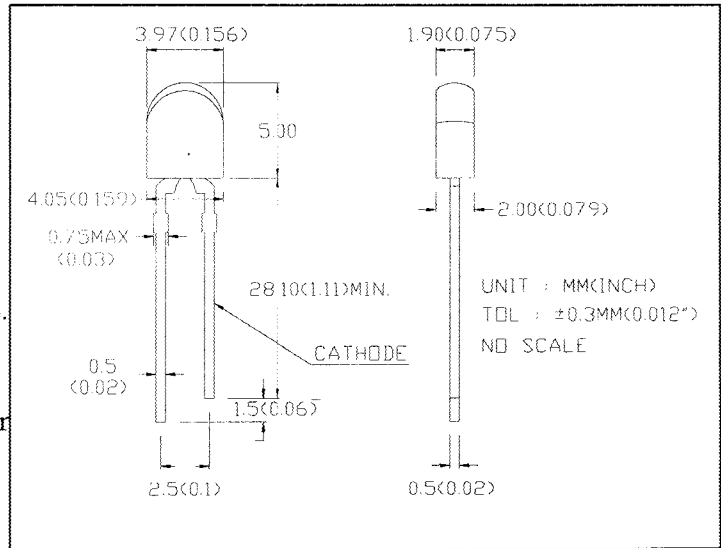
MICRO

MXB79D

**1.90 X 3.97MM
ROUND
RECTANGULAR
BAR LED LAMP**

DESCRIPTION

MXB79 Series are LED lamps encapsulated in a 1.9mm x 3.97mm round rectangular bar epoxy package with color defused lens. MGB79D is green chip with a green diffused lens. MSB79D is red chip with a red diffused lens. MYB79D is yellow chip with a yellow diffused lens.



ABSOLUTE MAXIMUM RATINGS

	MGB79D	MSB79D	MYB79D
Power Dissipation @ Ta=25°C	100mW	45mW	60mW
Forward Current, DC (IF)	30mA	30mA	20mA
Reverse Voltage		5V	
Operating & Storage Temperature Range		-55 to +100°C	
Lead Soldering Temperature (1/16" from body)		260°C for 5 sec.	

ELECTRO-OPTICAL CHARACTERISTICS (Ta=25°C)

PARAMETER	SYMBOL	MGB79D	MSB79D	MYB79D	UNIT	CONDITIONS
Forward Voltage	MAX V _F	3	3	3	V	I _F =20mA
Reverse Breakdown Voltage	MIN BV _R	5	5	5	V	I _R =100μA
Luminous Intensity	MIN I _V	5	*1.2	9	mcd	I _F =20mA
	TYP	10	*2.5	18		
Peak Wavelength	TYP λ _p	570	700	589	nm	I _F =20mA
Spectral Line Half Width	TYP Δλ	30	100	35	nm	I _F =20mA
Viewing Angle	TYP 2θ 1/2	86	86	86	degree	I _F =20mA

*MSB79D IV TEST CONDITION: I_F = 10mA



MICRO ELECTRONICS LTD.

38, Hung To Road, Microtron Building, Kwun Tong, Kowloon, Hong Kong.
Kwun Tong P.O. Box 69477 Hong Kong. Fax No. 2341 0321 Telex:43510 Micro Hx. Tel: 2343 0181-5

Nov-00