

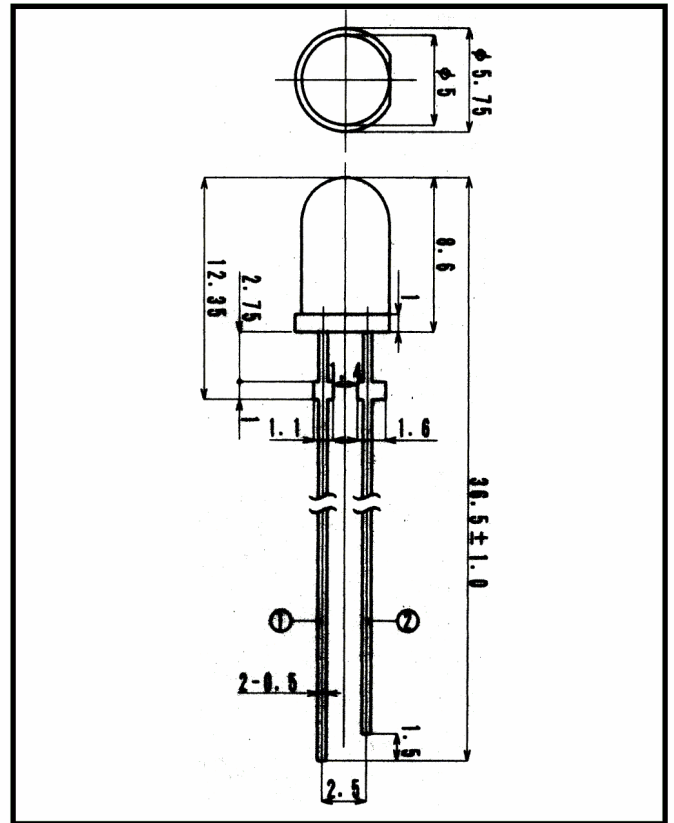
**MT900A-UR2**

**Features**

High power output  
Narrow beam angle  
High reliability  
Stand off type

**Applications**

Optical sensor  
Indicators



Dimensions(Unit:mm)

**Maximum Ratings (Ta=25°C)**

Characteristic	Symbol	Max.	Test Condition	Unit
Forward Current	I <sub>F</sub>	50	-	mA
Pulsed Forward Current	I <sub>FP</sub>	.50	T <sub>w</sub> =10μ S, T=10mS	A
Reverse Voltage	V <sub>R</sub>	4	-	V
Power Dissipation	P <sub>D</sub>	120.00	-	mW
Operating Temperature	T <sub>opr</sub>	-20 ~ +80	-	°C
Storage Temperature	T <sub>stg</sub>	-30 ~ +100	-	°C
Soldering Temperature	T <sub>sol</sub>	260°	for 3 sec. max	°C

**Opto-Electrical Characteristics (Ta=25°C)**

Characteristic	Symbol	Test Condition	Min	Typ	Max	Unit
Forward Voltage	V <sub>F</sub>	I <sub>F</sub> =20mA	-	1.80	2.20	V
Reverse Current	I <sub>R</sub>	V <sub>R</sub> =4V	-	-	100	μ A
Power Output	PO	I <sub>F</sub> =20mA	5.00	6.50	-	mW
Half Intensity Beam Angle	θ	-	-	± 12°	-	deg.
Peak Wavelength	λ <sub>p</sub>	I <sub>F</sub> =20mA	-	660	-	nm
Dominant Wavelength	λ <sub>d</sub>	I <sub>F</sub> =20mA	-	643	-	nm
Spectral Line Half Width	Δλ	I <sub>F</sub> =20mA	-	20	-	nm

Specification subject to change without notice.

**MT900A-UR2 Graphs**

