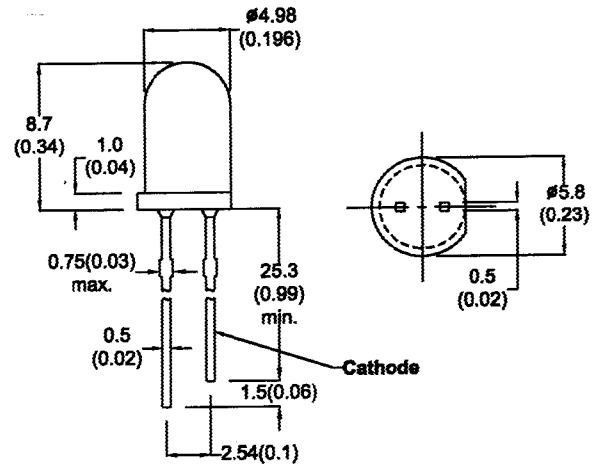


DESCRIPTION

MSB557DA-O is GaAlAs red LED lamp with a 5mm diameter red diffused lens. The built-in IC flashes the lamp on/off and can be driven directly by standard TTL and CMOS circuits, eliminating the need for external switching circuitry.



ABSOLUTE MAXIMUM RATINGS

Operating Temperature Range
 Storage Temperature Range
 Lead Soldering Temperature (1/16" from body)
 Operating Voltage

-20 to +70°C
 -20 to +85°C
 260°C for 5 sec.
 5V

- All dimension in mm(inch)
- No Scale
- Tol. : +/-0.3mm

ELECTRO-OPTICAL CHARACTERISTICS (Ta=25°C)

PARAMETER	SYMBOL	MIN	TYP	MAX	UNIT	CONDITIONS
Luminous Intensity	IV	40	60		mcd	VF=3V
Emission Peak Wave Length	λ_p		660		nm	IF=20mA
Spectral Line Half Width	$\Delta\lambda$		20		nm	IF=20mA
Operating Voltage	Vopr	1.6	3.0	3.5	V	
Peak Current (1/8 duty cycle)	ICM		28		mA	VF=3V
Pulse Rate		0.6	1.0	1.8	Hz	VF=3V
Viewing Angle	2 θ 1/2		40		degree	VF=3V



MICRO ELECTRONICS LTD.

38, Hung To Road, Microtron Building, Kwun Tong, Kowloon, Hong Kong.

Kwun Tong P.O. Box 69477 Hong Kong. Fax No. 2341 0321 Telex:43510 Micro Hx. Tel: 2343 0181-5