

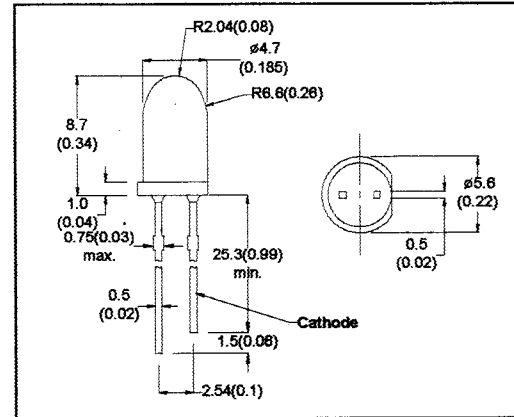
# MICRO

ELECTRONICS

ULTRA HIGH  
BRIGHTNESS  
RED LED LAMP

## DESCRIPTION

MSB49TA-X is an ultra high brightness output red GaAlAs LED lamp encapsulated in a 4.7mm diameter clear transparent lens. 6 brightness grouping is provided for customer's selection.



- All Dimension in mm (inch)
- No Scale
- Tol : +/- 0.3mm

## ABSOLUTE MAXIMUM RATINGS

Power Dissipation @ Ta=25°C	100mW
Forward Current, DC (IF)	40mA
Reverse Voltage	5V
Operating & Storage Temperature Range	-55 to +100°C
Lead Soldering Temperature (1/16" from body)	260°C for 5 sec.

## ELECTRO-OPTICAL CHARACTERISTIC (Ta=25°C)

PARAMETER	SYMBOL	MIN	TYP	MAX	UNIT	CONDITIONS
Forward Voltage	$V_F$		1.8	2.4	V	$I_F=20mA$
Reverse Breakdown Voltage	$BV_R$	5			V	$I_R=100\mu A$
Luminous Intensity	$I_V$				mcd	$I_F=20mA$
	-0	320	450		mcd	$I_F=20mA$
	-1	550	800		mcd	$I_F=20mA$
	-2	850	1100		mcd	$I_F=20mA$
	-3	1200	1600		mcd	$I_F=20mA$
	-4	2000	3500		mcd	$I_F=20mA$
	-5	2800	4500		mcd	$I_F=20mA$
Peak Wavelength	$\lambda_p$		660		nm	$I_F=20mA$
Spectral Line Half Width	$\Delta\lambda$		20		nm	$I_F=20mA$
Viewing Angle	20 1/2		12		degree	$I_F=20mA$

Rev.A.

MICRO ELECTRONICS LTD.

38, Hung To Road, Microtron Building, Kwun Tong, Kowloon, Hong Kong.

Kwun Tong P.O. Box 69477 Hong Kong. Fax No. 2341 0321 Telex:43510 Micro Hx. Tel: 2343 0181-5

Nov-96