



Micro Commercial Components

Micro Commercial Components  
 20736 Marilla Street Chatsworth  
 CA 91311  
 Phone: (818) 701-4933  
 Fax: (818) 701-4939

# MC79L05F

## Three-Terminal Low Current Negative Voltage Regulator

### Features

- Internal Short Circuit Current Limiting
- Internal Thermal Overload Protection
- No External Components Required
- Case Material: Molded Plastic. UL Flammability Classification Rating 94V-0
- Marking :Type Number

### Absolute Maximum Ratings

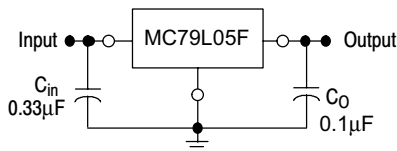
| Parameter                      | Symbol    | Value      | Unit |
|--------------------------------|-----------|------------|------|
| Input Voltage                  | $V_1$     | 30         | V    |
| Operating Junction Temperature | $T_{OPR}$ | -30---+75  | °C   |
| Storage Temperature Range      | $T_{STG}$ | -40---+125 | °C   |

### Electrical Characteristics ( $V_i=10V, I_o=40mA, 0^\circ C < T_j < 125^\circ C, C_1=0.33\mu F, C_o=0.1\mu F$ , unless otherwise specified)

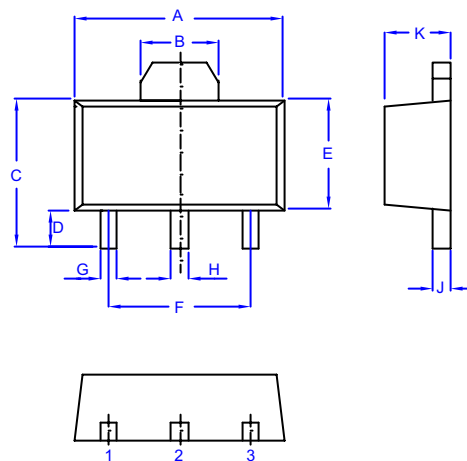
| Parameter            | Sym         | Min  | Typ         | Max   | Test conditions  |
|----------------------|-------------|------|-------------|-------|--|
| Output Voltage       | $V_o$       | 4.8V | 5.0V        | 5.2V  | $V_i=10V, I_o=40mA$  |
| Load Regulation      | $V_o - I_o$ |      | 7.0mV       | 60mV  | $I_o=1mA-100mA, V_i=10V$   |
| Line regulation      | $V_o - V_i$ |      | 15mV        | 150mV | $7V \leq V_i \leq 20V, I_o=40mA$   |
| Quiescent Current    | $I_q$       |      | 3.5mA       | 6.0mA | $V_i=10V, I_o=40mA$  |
| Output Noise Voltage | $V_N$       |      | 120 $\mu$ V |       | $10Hz \leq f \leq 100KHz, V_i=10V, I_o=40mA$                               |
| Ripple Rejection     | RR          | 41dB | 71dB        |       | $8V \leq V_i \leq 18V, I_o=40mA, f=120Hz, T_j=25^\circ C, e_{IN}=1V_{P-P}$ |

\*Note: Bypass Capacitors are recommended for optimum stability and transient response and should be located as close as possible to the regulators

Typical Application:



### SOT-89



1. GND
2. IN (Case)
3. OUT

| DIM | DIMENSINS |       |      |       | NOTES |
|-----|-----------|-------|------|-------|-------|
|     | INCHES    |       | MM   |       |       |
|     | MIN       | MAX   | MIN  | MAX   |       |
| A   | .173      | .181  | 4.39 | 4.60  |       |
| B   | .063      | .071  | 1.60 | 1.80  |       |
| C   | .154      | .165  | 3.91 | 4.19  |       |
| D   | .031      | .039  | 0.80 | 1.00  |       |
| E   | .092      | .100  | 2.34 | 2.54  |       |
| F   | .118      | ----- | 3.00 | ----- | TYP   |
| G   | .013      | .019  | 0.33 | 0.48  |       |
| H   | .015      | .021  | 0.38 | 0.53  |       |
| J   | .015      | .016  | 0.38 | 0.41  |       |
| K   | .055      | .063  | 1.40 | 1.60  |       |



Micro Commercial Components

**\*\*\*IMPORTANT NOTICE\*\*\***

*Micro Commercial Components Corp.* reserves the right to make changes without further notice to any product herein to make corrections, modifications, enhancements, improvements, or other changes. *Micro Commercial Components Corp.* does not assume any liability arising out of the application or use of any product described herein; neither does it convey any license under its patent rights, nor the rights of others. The user of products in such applications shall assume all risks of such use and will agree to hold *Micro Commercial Components Corp.* and all the companies whose products are represented on our website, harmless against all damages.

**\*\*\*APPLICATIONS DISCLAIMER\*\*\***

Products offer by *Micro Commercial Components Corp.* are not intended for use in Medical, Aerospace or Military Applications.