

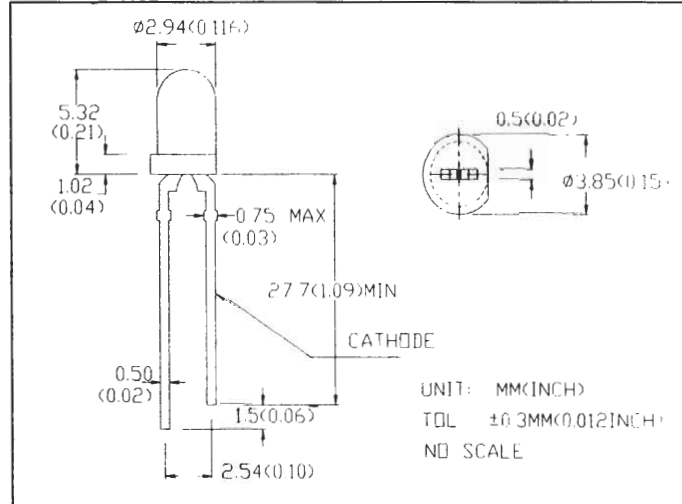
MICRO ELECTRONICS

MBB32TA-DJ
MBB32TA-EJ
MBB32TA-FJ
MBB32TA-GJ
ULTRA HIGH BRIGHTNESS BLUE LED LAMP

DESCRIPTION

MBB32TA-XJ is an ultra high brightness InGaN/GaN blue LED lamp with 465~470 nm dominant wavelength encapsulated in a 3mm diameter clear transparent lens .

4 brightness is provided for customer's selection.



ABSOLUTE MAXIMUM RATINGS

Power Dissipation @ Ta=25°C	125mW
Continuous Forward Current	30mA
Reverse Voltage	5V
Operating Temperature Range	-20 to +80°C
Storage Temperature Range	-30 to +100°C
Lead Soldering Temperature (1/16" from body)	260°C for 5 sec.

ELECTRO-OPTICAL CHARACTERISTICS (Ta=25°C)

PARAMETER	SYMBOL	MIN	TYP	MAX	UNIT	CONDITIONS
Forward Voltage	VF		3.5	4.5	V	IF=20mA
Reverse Breakdown Voltage	BVR	5			V	IR=100μA
Luminous Intensity	IV	500	1000		mcd	IF=20mA
	IV	800	1200		mcd	IF=20mA
	IV	1200	1800		mcd	IF=20mA
	IV	1800	2500		mcd	IF=20mA
Dominant Wavelength	λ _d	465	—	470	nm	IF=20mA
Spectral Line Half Width	Δλ		30		nm	IF=20mA
Viewing Angle	2θ 1/2		30		degree	IF=20mA

CAUTION

REV : A

Static electricity and surge damages the LED ,It is recommended to use a wrist band or anti-eletrostatic glove when handling the LED . All devices,equipment and machinery must be properly grounded.



MICRO ELECTRONICS LTD.

7/F, Enterprise Square Three, 39 Wang Chiu Road, Kowloon Bay, Kowloon, Hong Kong.

Tel : (852) 2343 0181 Fax : (852) 2341 0321 Website : www.microelectr.com.hk

2004-4-13