



An Acuity Brands Company

SUITABLE FOR WET LOCATIONS IP68



M9410/M9430 SERIES MODULAR IN-GRADE LUMINAIRE SINGLE LENS

DESCRIPTION

Hydrel's M9410/M9430 Series modular in-grade lights are multi-purpose units designed for uplighting architectural and landscape features. These units can be flush mounted into a variety of substrates or landscape materials.

The M9410/M9430 consists of a factory-sealed, thermally protected lamp module and encapsulated power module. The components are secured inside a heavy-duty polymer rough-in housing designed with channeled convective cooling, an integral junction box, and finish door trim assembly.

FEATURES & SPECIFICATIONS

DOOR MATERIAL: Cast Aluminum, cast bronze, cast aluminum or bronze with stainless perforated trim insert or Stainless Steel. Available in round or square door trim.

ROUGH-IN SECTION: Injection molded polymer with integral junction box for thru-branch wiring. The housing is U.V. stabilized, impact and corrosion resistant for use in all types of environments. The rough-in has a cylinder or side-car configuration and houses the lamp and power module components and top door finishing section.

LAMP MODULE: Stainless steel housing, factory-sealed and purged of all moisture for longer component life. Lens is sealed with silicone gasket and stainless steel clamp band assembly with single fastener. Electrical connection to lamp module is done through a submersible quick pull plug connector with gold-plated contacts. Unit is thermally protected. LAMP INCLUDED.

LAMP TYPE:
Low Voltage: MR-16 bi-pin base, 75 Watt max., PAR-36 screw terminal base, 75 Watt max.
Incandescent: T-4 quartz halogen mini-can or B15d base, 100 Watt max.
Fluorescent: Triple tube CFL 4-pin base, 32 Watt max.
HID: T-4 or T-6 bi-pin base, 70 Watt max., PAR-20 or PAR-30 medium or E27 base, 70 Watt max.
Color Corrected Metal Halide

If a specific lamp is desired, specify manufacturer's lamp number, most lamps can be supplied. LAMP INCLUDED.

VOLTAGE: See ordering guide.

LIGHT DISTRIBUTION: See ordering guide.

FINISHING SECTION: Single lens design includes door assembly with 360° Aim-Lock™ lamp module support ring. Module indexing provides easy maintenance and relamping without re-aiming. Active optical lenses are also available. Door trim locks into position with two stainless steel captive, tamper-resistant fasteners.

POWER MODULE: Ballast /Transformer is encapsulated in a custom designed heat-dissipating epoxy resin that also eliminates all moisture intrusion to the ballast. Module is provided with submersible rated cord leads for connection to integral junction box and lamp module. Standard ballast is high power factor, low starting temperature; fluorescent electronic or HID magnetic. HID electronic ballast also available.

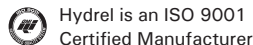
CONDUIT ENTRIES: Two (2) bottom or side entries available. Box suitable for thru-branch wiring. Splicing volume is 25 in³ (410 ccm).

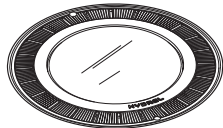
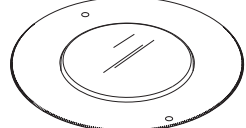
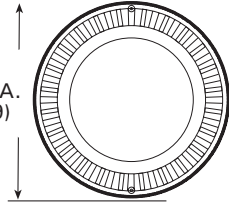
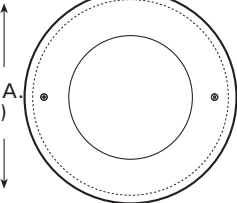
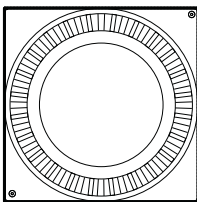
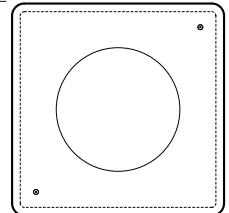
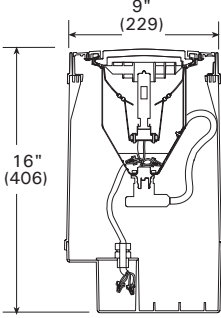
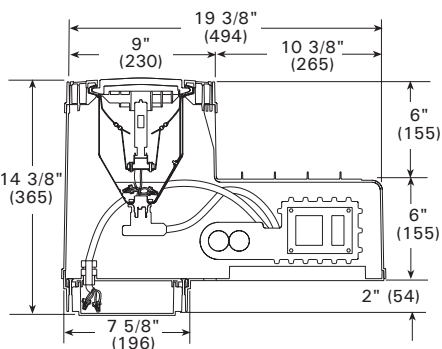
NOTE: Potting compound (PC21) recommended for junction box splices. PC21 sold separately.

ACCESSORIES: See ordering guide.

FINISH: Finish is natural aluminum or bronze. Stainless steel door is brushed finish. Aluminum doors may be painted. See ordering guide for color options.

LISTING: U.L., CE



TYPE		JOB NAME	
PART NUMBER			
Model Material Lamp Type Voltage Distribution Lens Conduit Entries Accessories Options Lamp Finish List			
 Bronze or Aluminum Round		 Stainless Steel Round	
 9" DIA. (229)		 10" DIA. (254)	
 9" SQ. (229)		 10" SQ. (254)	
 Incandescent & Fluorescent Rough-In Housing		 HID Rough-In Housing	
APPROVALS			

M9410/M9430 ORDERING INFORMATION

60 Hz Application

Choose the boldface catalog nomenclature that best suits your needs.

PART NO.

EXAMPLE:

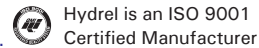
M9410	SS	70CMT6	120	NSP	FLC10	34B	ISS	SF	LP	
Material		Voltage		Distribution⁶		Conduit Entry		Options		
<input type="checkbox"/> A Aluminum <input type="checkbox"/> B Bronze <input type="checkbox"/> ASP¹ Alum. Stainless Perf. <input type="checkbox"/> BBP¹ Bronze Bronze Perf. <input type="checkbox"/> BSP¹ Bronze Stainless Perf. <input type="checkbox"/> SS Stainless Steel		<input type="checkbox"/> 12⁴ <input type="checkbox"/> 120 <input type="checkbox"/> 208 <input type="checkbox"/> 220 <input type="checkbox"/> 240 <input type="checkbox"/> 277 <input type="checkbox"/> 347 <input type="checkbox"/> MVOLT⁵		<input type="checkbox"/> NSP Narrow Spot <input type="checkbox"/> SP Spot <input type="checkbox"/> NFL Narrow Flood <input type="checkbox"/> MFL Medium Flood <input type="checkbox"/> FL Flood <input type="checkbox"/> WFL Wide Flood <input type="checkbox"/> WWD⁷ Wall Wash Distribution <input type="checkbox"/> ASY⁸ Asymmetric		<input type="checkbox"/> 12B 1/2" NPT bottom <input type="checkbox"/> 12S 1/2" NPT side <input type="checkbox"/> 34B 3/4" NPT bottom <input type="checkbox"/> 34S 3/4" NPT side		Fusing <input type="checkbox"/> SF¹⁵ Single Fuse <input type="checkbox"/> DF¹⁶ Double Fuse Ballasting¹⁷ <input type="checkbox"/> GEB Electronic Ballast <input type="checkbox"/> MLEBAD¹⁸ Analog Dimming Ballast		
Model	Lamp Type			Lens			Accessories		Lamp	
<input type="checkbox"/> M9410 Round <input type="checkbox"/> M9430 Square	Low Voltage <input type="checkbox"/> M50 MR16, GX5.3 base <input type="checkbox"/> M75 MR16, GX5.3 base <input type="checkbox"/> P3650ILV PAR36, screw terminal base <input type="checkbox"/> P3675ILV PAR36, screw terminal base Incandescent² <input type="checkbox"/> P2050I PAR20, med. base <input type="checkbox"/> P3050I PAR30, med. base <input type="checkbox"/> P3075I PAR30, med. base <input type="checkbox"/> 100Q T4, mini-can base Fluorescent <input type="checkbox"/> 18TRT Triple Tube, GX24q2 base <input type="checkbox"/> 26TRT Triple Tube, GX24q3 base <input type="checkbox"/> 32TRT Triple Tube, GX24q3 base MH <input type="checkbox"/> 20CMT4³ T4, G8.5 base <input type="checkbox"/> 35CMT4³ T4, G8.5 base <input type="checkbox"/> 35CMT6 T6, G12 base <input type="checkbox"/> 70CMT4 T4, G8.5 base <input type="checkbox"/> 70CMT6 T6, G12 base <input type="checkbox"/> P2035CM PAR20, med. base <input type="checkbox"/> P3035CM PAR30, med. base <input type="checkbox"/> P3070CM PAR30, med. base			<input type="checkbox"/> FLC Flat Lens Clear <input type="checkbox"/> FLC5⁹ Flat Lens Clear, 5° axial <input type="checkbox"/> FLC10 Flat Lens Clear, 10° tilt <input type="checkbox"/> FLC20 Flat Lens Clear, 20° tilt <input type="checkbox"/> FLF Flat Lens Frosted <input type="checkbox"/> FLF5¹⁰ Flat Lens Frosted, 5° axial <input type="checkbox"/> FLCAS Flat Lens Clear, Anti-Slip <input type="checkbox"/> CLC Convex Lens, Clear <input type="checkbox"/> CLF Convex Lens, Frosted			Internal¹¹ <input type="checkbox"/> IHL Honeycomb Louver <input type="checkbox"/> ISS¹² Source Shield <input type="checkbox"/> LSF¹³ Linear Spread Filter <input type="checkbox"/> CFAMB¹³ Color Filter Amber <input type="checkbox"/> CFBLU¹³ Color Filter Blue <input type="checkbox"/> CFGRN¹³ Color Filter Green <input type="checkbox"/> CFRED¹³ Color Filter Red <input type="checkbox"/> WWL Wall Wash Louver External^{11,14} <input type="checkbox"/> GS Glare Shield <input type="checkbox"/> LC Lexan Cover <input type="checkbox"/> LS Light Shield <input type="checkbox"/> RG¹³ Rock Guard Trims^{11,14} <input type="checkbox"/> BTR Bronze Round <input type="checkbox"/> BTS Bronze Square <input type="checkbox"/> STR Stainless Round <input type="checkbox"/> STS Stainless Square		<input type="checkbox"/> LP Lamp Installed	
								Finish¹⁹		
								<input type="checkbox"/> BL Black <input type="checkbox"/> BZ Bronze <input type="checkbox"/> DDB Dark Bronze <input type="checkbox"/> DNA Natural Alum. <input type="checkbox"/> GN Green <input type="checkbox"/> GR Gray <input type="checkbox"/> SND Sand <input type="checkbox"/> STG Steel Gray <input type="checkbox"/> TVG Terra Verde Green <input type="checkbox"/> WH White <input type="checkbox"/> CF Custom Finish		

M9400 Series Assembly MRIS94 Rough-In Housing
consists of the following MFS94 Finishing Section
individual component MACS Lamp Module
parts: MHSL94 Ballast Module

Notes:

- ¹ Not Available with M9430 square model.
- ² Incandescent models available with 120 Volt only.
- ³ Lamps available with GEB or MLEBAD electronic MVOLT (120V-277V) ballast only.
- ⁴ Available for Low Voltage lamps only. Remote 12V power supply required (sold separately).
- ⁵ MVOLT is standard on all Fluorescent lamps and MH lamps with GEB or MLEBAD ballast option.
- ⁶ Not all distributions are valid with all lamp types, consult lamp manufacturers' specifications.
- ⁷ WWD distribution available with T4 G8.5 base MH, T4 mini-can base Incandescent, or Fluorescent lamps only.
- ⁸ ASY distribution available with Fluorescent lamps only.
- ⁹ FLC5 lens standard with WWD distribution using Fluorescent lamps.
- ¹⁰ FLF5 lens standard with WWD distribution using MH or incandescent lamps.

- ¹¹ Accessories are mutually exclusive, choose one only.
- ¹² ISS available with T6 and T4 lamps only. Not available with WWD distribution.
- ¹³ Not available with CLC or CLF convex lens.
- ¹⁴ Accessory not available with SS door material.
- ¹⁵ SF available with 120, 277 or 347 supply voltages on MH fixtures only.
- ¹⁶ DF available with 208, 220 or 240 supply voltages on MH fixtures only.
- ¹⁷ Ballast options available with MH lamps only.
- ¹⁸ 0-10 Volt remote analog powered dimmer system with additional supply wiring required (by others).
- ¹⁹ Door material finish is natural cast aluminum (A) or cast bronze (B) unless specified. Stainless steel (SS) door available with brushed finish standard.



M9410/M9430 ORDERING INFORMATION

50 Hz Application

Choose the boldface catalog nomenclature that best suits your needs.

PART NO.

EXAMPLE:

M9410	SS	70CMT6	23050HZ	NSP	FLC10	16B	ISS	LP	IEC	
Material		Voltage		Distribution⁵		Conduit Entry		Options		Listing
<input type="checkbox"/> A Aluminum <input type="checkbox"/> B Bronze <input type="checkbox"/> SS Stainless Steel <input type="checkbox"/> ASP¹ Alum. Stainless Perf. <input type="checkbox"/> BBP¹ Bronze Bronze Perf. <input type="checkbox"/> BSP¹ Bronze Stainless Perf.		<input type="checkbox"/> 12³ <input type="checkbox"/> 22050HZ <input type="checkbox"/> 23050HZ <input type="checkbox"/> 24050HZ <input type="checkbox"/> MVOLT⁴		<input type="checkbox"/> NSP Narrow Spot <input type="checkbox"/> SP Spot <input type="checkbox"/> NFL Narrow Flood <input type="checkbox"/> MFL Medium Flood <input type="checkbox"/> FL Flood <input type="checkbox"/> WFL Wide Flood <input type="checkbox"/> WWD⁶ Wall Wash Distribution <input type="checkbox"/> ASY⁷ Asymmetric		<input type="checkbox"/> 16B PG16 bottom <input type="checkbox"/> 20B 20mm bottom <input type="checkbox"/> 16S PG16 side <input type="checkbox"/> 20S 20mm side <input type="checkbox"/> 25S 25mm bottom		Ballasting¹⁴ <input type="checkbox"/> GEB Electronic Ballast <input type="checkbox"/> MLEBAD¹⁵ Analog Dimming Ballast		<input type="checkbox"/> IEC International Electronic Commission
Model		Lamp Type		Lens		Accessories		Lamp		Finish¹⁶
<input type="checkbox"/> M9410 Round <input type="checkbox"/> M9430 Square		Low Voltage <input type="checkbox"/> M50 MR16 GX5.3 base <input type="checkbox"/> M75 MR16 GX5.3 base <input type="checkbox"/> P3650ILV PAR36 screw terminal base <input type="checkbox"/> P3675ILV PAR36 screw terminal base Incandescent <input type="checkbox"/> P2050I PAR20 E27 base <input type="checkbox"/> P3050I PAR30 E27 base <input type="checkbox"/> P3075I PAR30 E27 base <input type="checkbox"/> 100Q T4, mini-can Fluorescent <input type="checkbox"/> 18TRT Triple Tube GX24q2 base <input type="checkbox"/> 26TRT Triple Tube GX24q3 base <input type="checkbox"/> 32TRT Triple Tube GX24q3 base MH <input type="checkbox"/> 20CMT4² T4 G8.5 base <input type="checkbox"/> 35CMT4² T4 G8.5 base <input type="checkbox"/> 35CMT6 T6 G12 base <input type="checkbox"/> 70CMT4 T4 G8.5 base <input type="checkbox"/> 70CMT6 T6 G12 base <input type="checkbox"/> P2035CM PAR20 E27 base <input type="checkbox"/> P3035CM PAR30 E27 base <input type="checkbox"/> P3070CM PAR30 E27 base		<input type="checkbox"/> FLC Flat Lens Clear <input type="checkbox"/> FLC5⁸ Flat Lens Clear, 5° axial <input type="checkbox"/> FLC10 Flat Lens Clear, 10° tilt <input type="checkbox"/> FLC20 Flat Lens Clear, 20° tilt <input type="checkbox"/> FLF Flat Lens Frosted <input type="checkbox"/> FLF5⁹ Flat Lens Frosted, 5° axial <input type="checkbox"/> FLCAS Flat Lens Clear, Anti-Slip <input type="checkbox"/> CLC Convex Lens, Clear <input type="checkbox"/> CLF Convex Lens, Frosted		Internal¹⁰ <input type="checkbox"/> IHL Honeycomb Louver <input type="checkbox"/> ISS¹¹ Source Shield <input type="checkbox"/> LSF¹² Linear Spread Filter <input type="checkbox"/> CFAMB¹² Color Filter Amber <input type="checkbox"/> CFBLU¹² Color Filter Blue <input type="checkbox"/> CFGRN¹² Color Filter Green <input type="checkbox"/> CFRED¹² Color Filter Red <input type="checkbox"/> WWL Wall Wash Louver External^{10, 13} <input type="checkbox"/> GS Glare Shield <input type="checkbox"/> LC Lexan Cover <input type="checkbox"/> LS Light Shield <input type="checkbox"/> RG¹² Rock Guard Trims^{10, 13} <input type="checkbox"/> BTR Bronze Round <input type="checkbox"/> BTS Bronze Square <input type="checkbox"/> STR Stainless Round <input type="checkbox"/> STS Stainless Square		<input type="checkbox"/> LP Lamp included		<input type="checkbox"/> BL Black <input type="checkbox"/> BZ Bronze <input type="checkbox"/> DDB Dark Bronze <input type="checkbox"/> DNA Natural Alum. <input type="checkbox"/> GN Green <input type="checkbox"/> GR Gray <input type="checkbox"/> SND Sand <input type="checkbox"/> STG Steel Gray <input type="checkbox"/> TVG Terra Verde Green <input type="checkbox"/> WH White <input type="checkbox"/> CF Custom Finish

M9400 Series Assembly MRIS94 Rough-In Housing
consists of the following MFS94 Finishing Section
individual component MACS Lamp Module
parts: MHSL94 Ballast Module

Notes:

- ¹ Not Available with M9430 square model.
- ² Lamps available with GEB or MLEBAD electronic , MVOLT (120V-277V 50/60 HZ) ballast only.
- ³ Available for Low Voltage lamps only. Remote 12V power supply required (sold separately).
- ⁴ MVOLT is standard on all Fluorescent lamps and MH lamps with GEB or MLEBAD ballast option.
- ⁵ Not all distributions are valid with all lamp types, consult lamp manufacturers' specifications.
- ⁶ WWD distribution available with T4 G8.5 base MH, T4 mini-can base Incandescent or Fluorescent lamps only.

- ⁷ ASY distribution available with Fluorescent lamps only.
- ⁸ FLC5 lens standard with WWD distribution using Fluorescent Lamps.
- ⁹ FLF5 lens standard with WWD distribution using MH or incandescent lamps.
- ¹⁰ Accessories are mutually exclusive, choose one only.
- ¹¹ ISS available with T6, and T4 lamps only. Not available with WWD distribution.
- ¹² Not available with CLC or CLF convex lens.
- ¹³ Accessory not available with SS door material.
- ¹⁴ Ballast options available with MH lamps only.
- ¹⁵ 0-10 Volt remote analog powered dimmer system with additional supply wiring required (by others).
- ¹⁶ Door material finish is natural cast aluminum (A) or cast bronze (B) unless specified. Stainless steel (SS) door available with brushed finish standard.