



256 Kb (32K x8) TIMEKEEPER[®] SRAM

PRELIMINARY DATA

- INTEGRATED ULTRA LOW POWER SRAM, REAL TIME CLOCK, POWER-FAIL CONTROL CIRCUIT, BATTERY and CRYSTAL
- BCD CODED YEAR, MONTH, DAY, DATE, HOURS, MINUTES and SECONDS
- AUTOMATIC POWER-FAIL CHIP DESELECT and WRITE PROTECTION
- WRITE PROTECT VOLTAGE (V_{PFD} = Power-fail Deselect Voltage):
 - M48T39Y: $4.20V \leq V_{PFD} \leq 4.50V$
- PROGRAMMABLE INTERRUPTS and SQUARE WAVE OUTPUT
- WATCHDOG TIMER RESTARTS on OUT-OF-CONTROL PROCESSOR
- CLOCK ACCURACY IS BETTER THAN ± 1 MINUTE per MONTH at 25°C
- 10 YEARS of DATA RETENTION and CLOCK OPERATION in the ABSENCE of POWER
- SELF-CONTAINED BATTERY and CRYSTAL in DIP PACKAGE
- PROGRAMMABLE ALARM OUTPUT ACTIVE in the BATTERY BACK-UP MODE
- PIN and FUNCTION COMPATIBLE with DS1386

DESCRIPTION

The M48T39Y TIMEKEEPER[®] RAM is a non-volatile 262,144 bit static RAM and real time clock organized as 32,768 words by 8 bits. System integration features include Programmable Alarms, Watchdog Timer and Interval Timer. The special 32-pin DIP package provides a highly integrated battery back-up memory and real time clock solution.

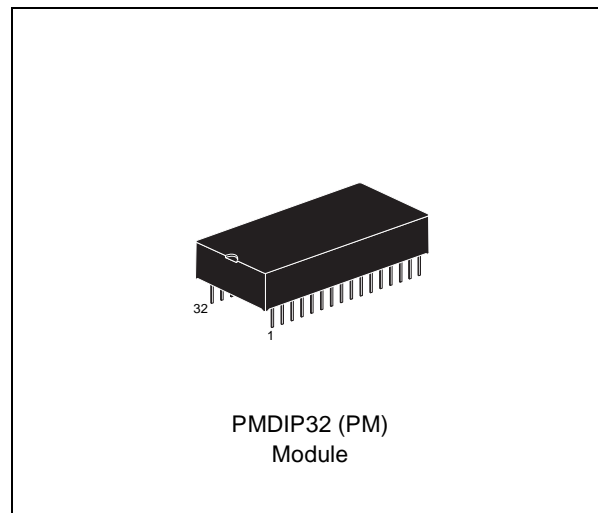
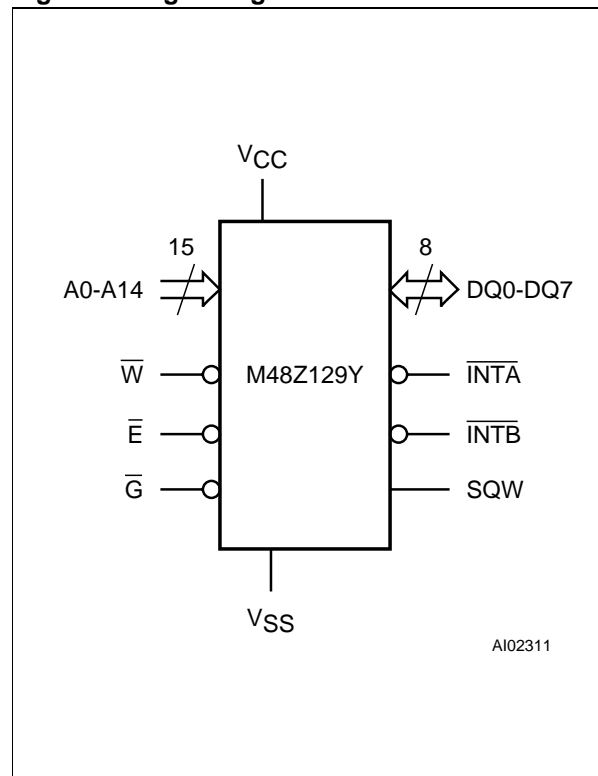


Figure 1. Logic Diagram



M48T39Y

Figure 2. DIP Connections

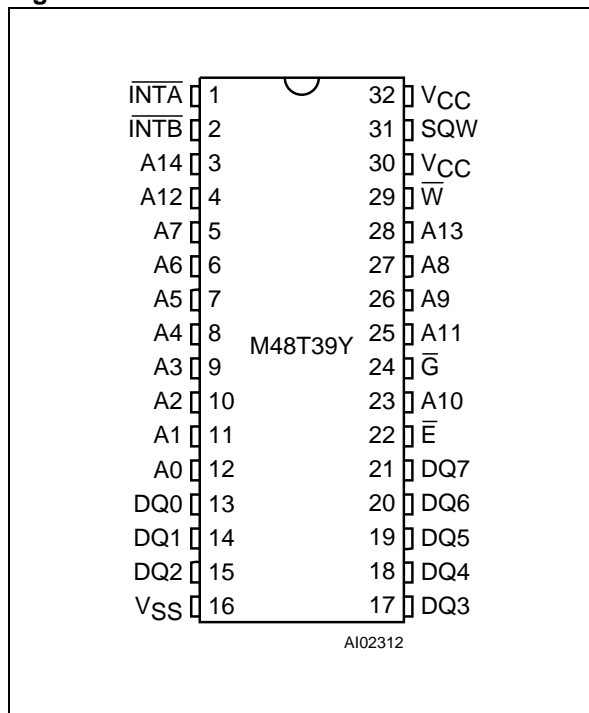
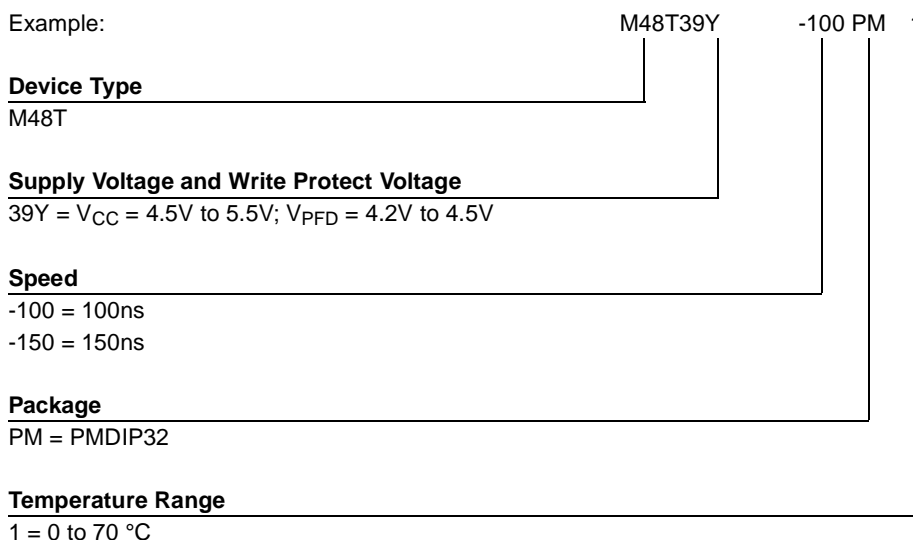


Table 1. Signal Names

A0-A14	Address Inputs
DQ0-DQ7	Data Inputs / Outputs
\bar{E}	Chip Enable Input
\bar{G}	Output Enable Input
\bar{W}	Write Enable Input
\bar{INTA}	Interrupt Output A (Open Drain)
\bar{INTB}	Interrupt Output B (Open Drain)
SQW	Square Wave Output
V _{CC}	Supply Voltage
V _{SS}	Ground

Table 2. Ordering Information Scheme

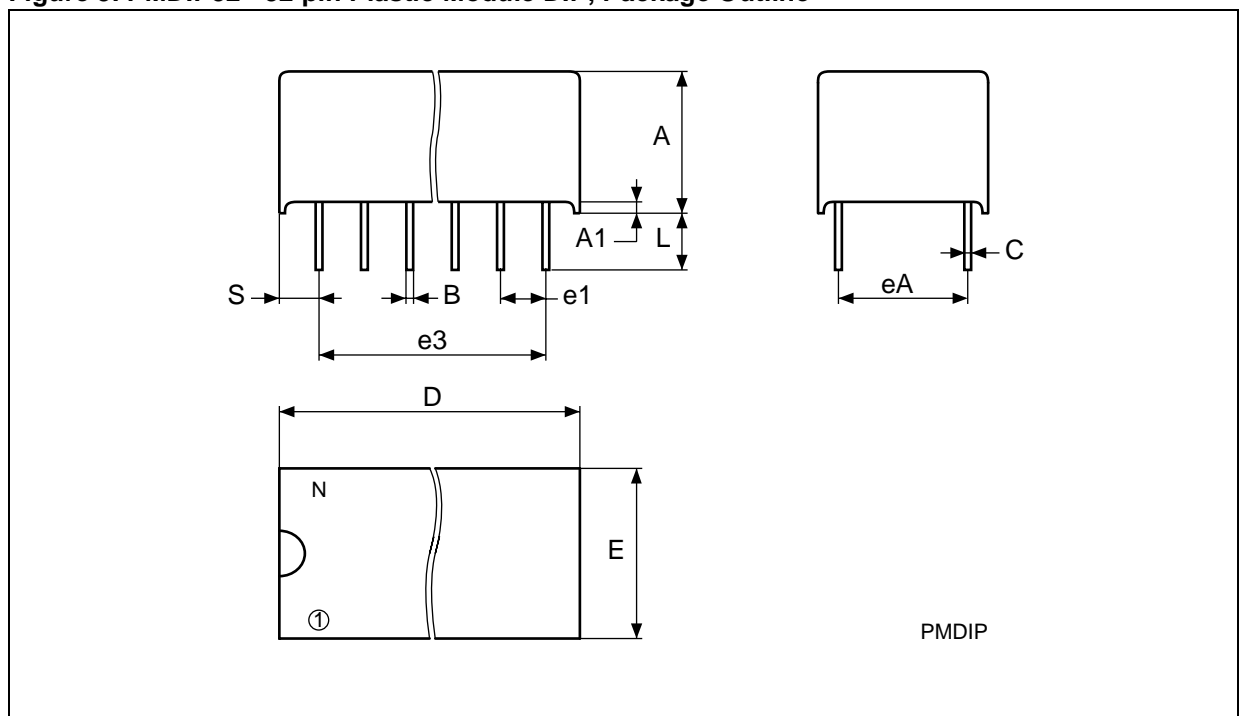


For a list of available options (Speed, Package, etc...) or for further information on any aspect of this device, please contact the ST Sales Office nearest to you.

Table 3. PMDIP32 - 32 pin Plastic Module DIP, Package Mechanical Data

Symb	mm			inches		
	Typ	Min	Max	Typ	Min	Max
A		9.27	9.52		0.3650	0.3748
A1		0.38	–		0.0150	–
B		0.43	0.59		0.0169	0.0232
C		0.20	0.33		0.0079	0.0130
D		42.42	43.18		1.6701	1.7000
E		18.03	18.80		0.7098	0.7402
e1		2.29	2.79		0.0902	0.1098
e3		34.29	41.91		1.3500	1.6500
eA		14.99	16.00		0.5902	0.6299
L		3.05	3.81		0.1201	0.1500
S		1.91	2.79		0.0752	0.1098
N	32			32		

Figure 3. PMDIP32 - 32 pin Plastic Module DIP, Package Outline



Drawing is not to scale.

Information furnished is believed to be accurate and reliable. However, STMicroelectronics assumes no responsibility for the consequences of use of such information nor for any infringement of patents or other rights of third parties which may result from its use. No license is granted by implication or otherwise under any patent or patent rights of STMicroelectronics. Specifications mentioned in this publication are subject to change without notice. This publication supersedes and replaces all information previously supplied. STMicroelectronics products are not authorized for use as critical components in life support devices or systems without express written approval of STMicroelectronics.

The ST logo is registered trademark of STMicroelectronics
© 1998 STMicroelectronics - All Rights Reserved

All other names are the property of their respective owners.

STMicroelectronics GROUP OF COMPANIES
Australia - Brazil - China - Finland - France - Germany - Hong Kong - India - Italy - Japan - Malaysia - Malta - Morocco -
Singapore - Spain - Sweden - Switzerland - United Kingdom - U.S.A.
<http://www.st.com>