

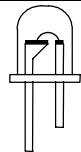


2 Hz

48V USE

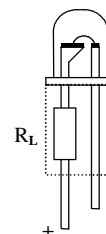
48V 運 用

LED 閃 爍 IC

LED FLASH	
M1150	

### FEATURES 功能敘述

- Totally built-in OSC.
- Operating voltage : 48v Typ. with a resistor load.
- Blink 64 cycles in about 32 seconds and keep on.
- M1150G : Gold plating.



### APPLICATION 產品應用

- For communication equipment use.

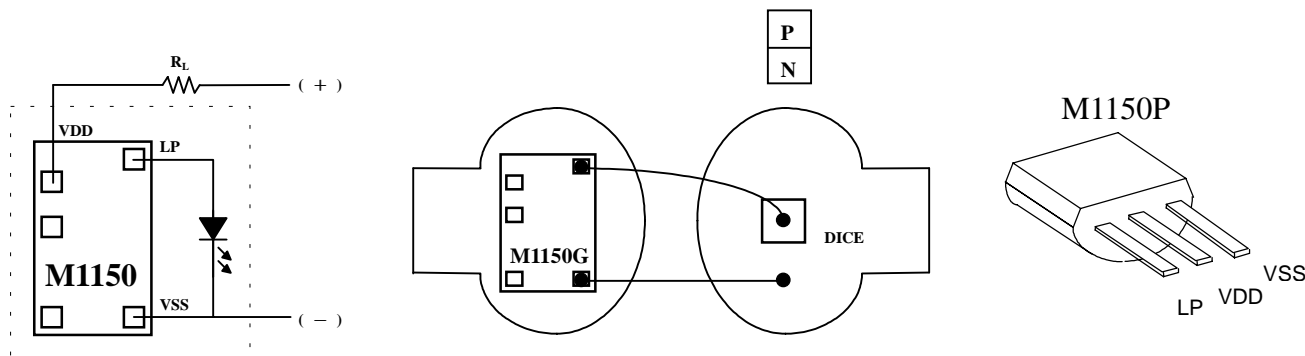
### ELECTRICAL CHARACTERISTICS 電氣規格

( @V<sub>DD</sub>=3V unless otherwise specified )

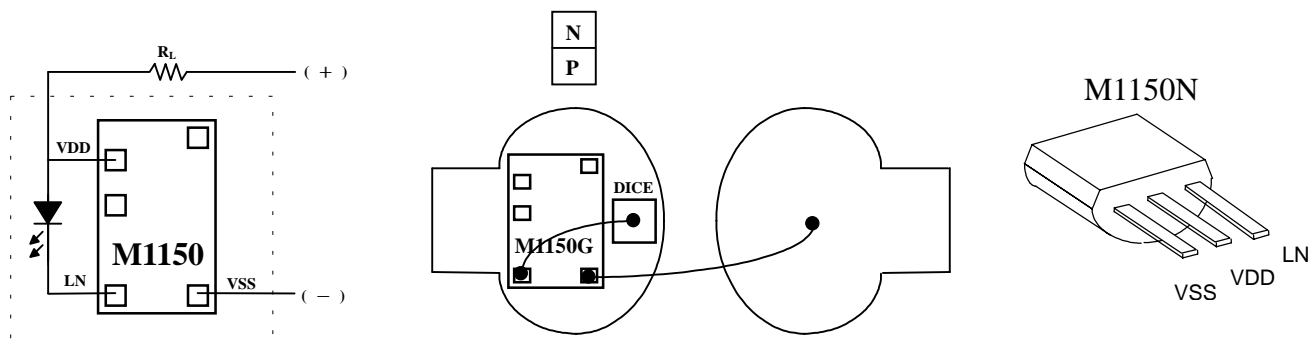
Characteristics	Sym.	Min.	Typ.	Max.	Unit	REMARKS
工作電壓 Operating Voltage	V <sub>DD</sub>	2	3	5	V	
工作電流 Operating Current	I <sub>OP</sub>	—	—	—	mA	No load
工作時間 Time Period	T <sub>P</sub>	25	32	40	sec	64 cycles
推動電流 Driving Current	I <sub>OL</sub>	4	6	—	mA	@ V <sub>DS</sub> =2V
振盪頻率 Oscillator Frequency	F <sub>OSC</sub>	—	64	—	KHz	±30% TOL.
振盪頻率 LED Frequency	F <sub>LED</sub>	1.6	2	2.6	Hz	
工作溫度 Operating Temperature	Temp.	-10	25	60	°C	

### APPLICATION DIAGRAM 參考電路圖

#### (1) SOURCE TYPE



#### (2) SINK TYPE



\* IC CHIP ~ 1.0 x 1.5 mm<sup>2</sup>, substrate to VDD.

\*All specs and applications shown above subject to change without prior notice.

( 以上電路及規格僅供參考,本公司得逕行修正 )