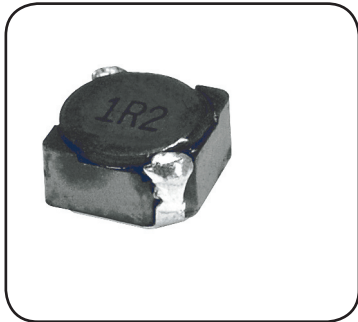


**Surface Mount Power Inductors****LS5D28 Series****FEATURES**

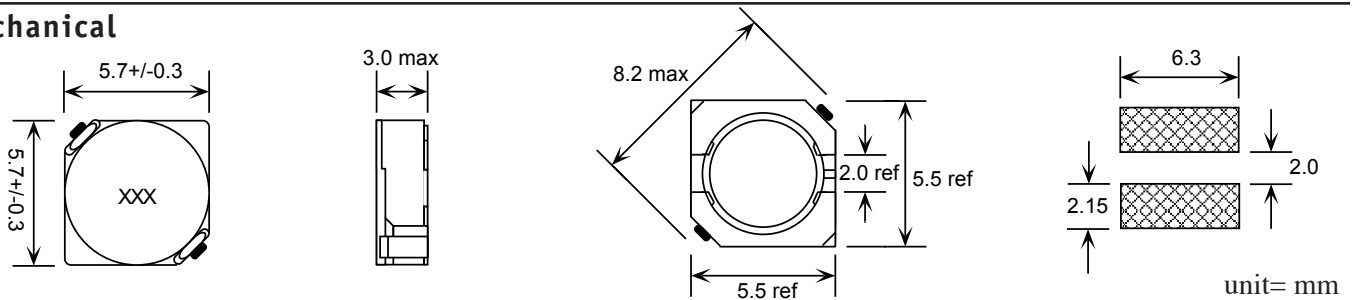
- Will Handle Up To 2.6A
- Economical Design
- Suitable For Pick And Place
- Withstands Solder Reflow
- Shielded Design

APPLICATIONS

- DC/DC Converters
- Output Power Chokes
- Handheld And PDA Applications
- Battery Powered Or Low Voltage Applications

PACKAGING

- Reel Diameter: 330mm
- Reel Width: 12.3mm
- Pieces Per Reel: 2000

**Mechanical****Electrical Specifications**

Part ⁶ Number	Inductance ¹ (μ H+/-30%)	Test Frequency (kHz)	DCR max (Ω)	I_{DC} max ² (A)
LS5D28-2R6-RN	2.6	10	0.018	2.6
LS5D28-3R0-RN	3.0	10	0.024	2.4
LS5D28-4R2-RN	4.2	10	0.031	2.2
LS5D28-5R3-RN	5.3	10	0.038	1.9
LS5D28-6R2-RN	6.2	10	0.045	1.8
LS5D28-8R2-RN	8.2	10	0.053	1.6
LS5D28-100-RN	10	10	0.065	1.3
LS5D28-120-RN	12	10	0.076	1.2
LS5D28-150-RN	15	10	0.103	1.1
LS5D28-180-RN	18	10	0.110	1.0
LS5D28-220-RN	22	10	0.122	.90
LS5D28-270-RN	27	10	0.175	.85
LS5D28-330-RN	33	10	0.189	.75
LS5D28-390-RN	39	10	0.212	.70
LS5D28-470-RN	47	10	0.260	.62
LS5D28-560-RN	56	10	0.305	.58
LS5D28-680-RN	68	10	0.355	.52
LS5D28-820-RN	82	10	0.463	.46
LS5D28-101-RN	100	10	0.52	.42
LS5D28-121-RN	120	10	0.56	.40
LS5D28-151-RN	150	10	0.68	.35
LS5D28-181-RN	180	10	0.93	.32
LS5D28-221-RN	220	10	1.15	.30
LS5D28-271-RN	270	10	1.56	.27
LS5D28-331-RN	330	10	1.98	.25
LS5D28-391-RN	390	10	2.5	.22
LS5D28-471-RN	470	10	2.7	.20
LS5D28-561-RN	560	10	3.12	.18
LS5D28-681-RN	680	10	4.15	.16

1. Tested @ 10kHz, 0.1Vrms.
2. Inductance drop = 35% at rated I_{DC} max.
3. Electrical specifications at 25°C.
4. Operating temperature range:
-40°C to +85°C.
5. Meets UL 94V-0.
6. Optional Tolerances: 10%(K), 15%(L),
and 20%(M).