

Ultra High Bright Surface Mounting Chip

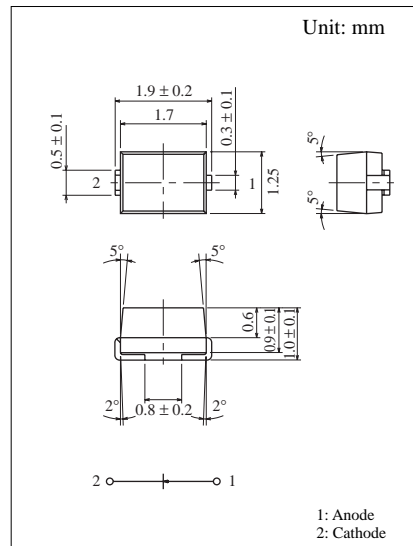
Blue S-J Type

Conventional Part No. Global Part No. Lighting Color
 LNJ906W5BRX LNJ906W5BRX Blue

Absolute Maximum Ratings (T_a = 25°C)

Lighting Color	P _D (mW)	I _F (mA)	I _{FP} (mA)*	V _R (V)	T _{opr} (°C)	T _{stg} (°C)
Blue	40	10	50	5	-25 ~ +85	-30 ~ +100

I_{FP}の条件は μ duty 10% Pulse width 1 msec. The condition of I_{FP} is duty 10%, Pulse width 1 msec



Electro-Optical Characteristics (T_a = 25°C)

Conventional Part No.	Lighting Color	Lens Color	I _O		I _F	V _F		λ _p	Δλ	I _F	I _R	
			Typ	Min		Typ	Max				Max	V _R
LNJ906W5BRX	Blue	White Diffused	5.5	2.0	5	3.2	3.7	470	30	5	10	5
Unit	—	—	mcd	mcd	mA	V	V	nm	nm	mA	μA	V

