

2012 Size

2100/2400 MHz

Chip Multilayer Splitter/Combiner

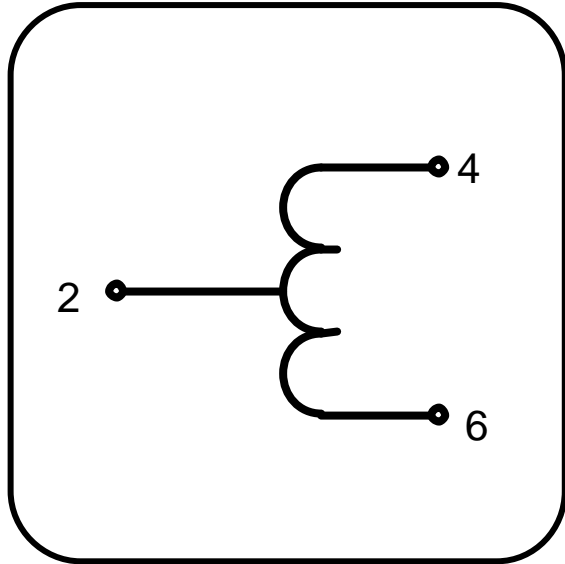
FSLH-S220C

All the technical data and information contained herein are subject to change without notice.

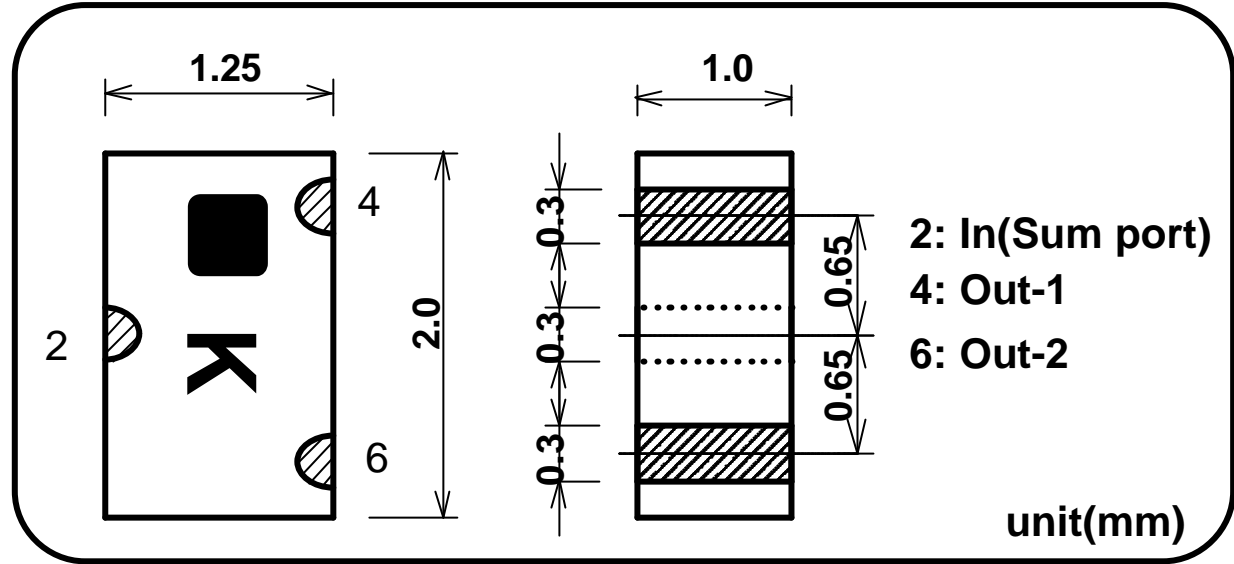


LH-FSLH-S220C-0406A

## Equivalent Circuits



## Shape & Size



## Specifications

Part Name: FSLH-S220C

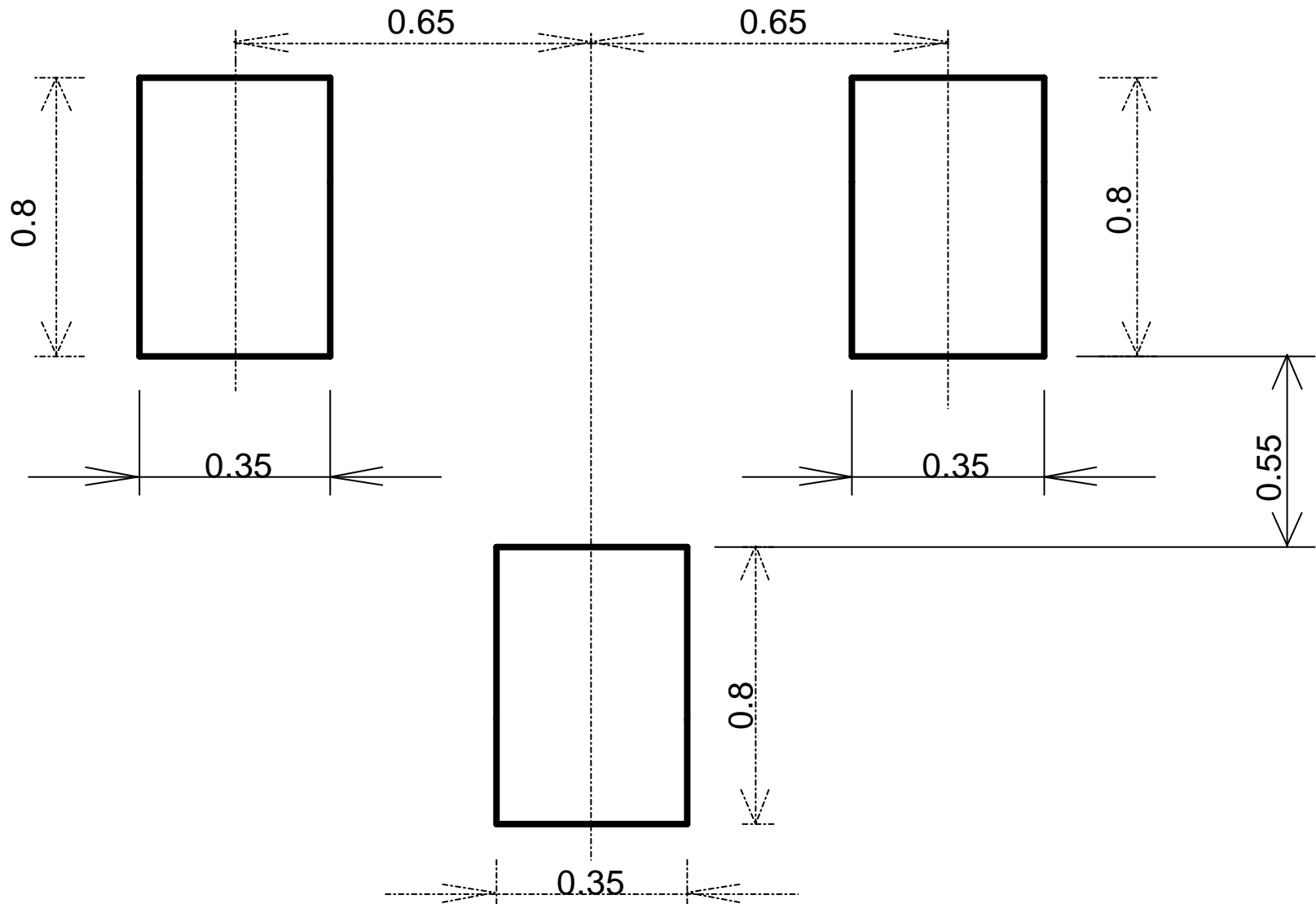
Frequency Range	Matching Capacitor	Insertion Loss *1	Isolation	Return Loss	Handling Power	Temperature Range
2100-2400MHz	0.75pF	1dB Max. (0.35dB Typ.)	12dB Min. (20dB Typ.)	10dB Min. (15dB Typ.)	1W Max. (CW)	-35 to +85 deg.C

\*1 Not include splitting loss (3dB)

All the technical data and information contained herein are subject to change without notice.

LH-FSLH-S220C-0406A

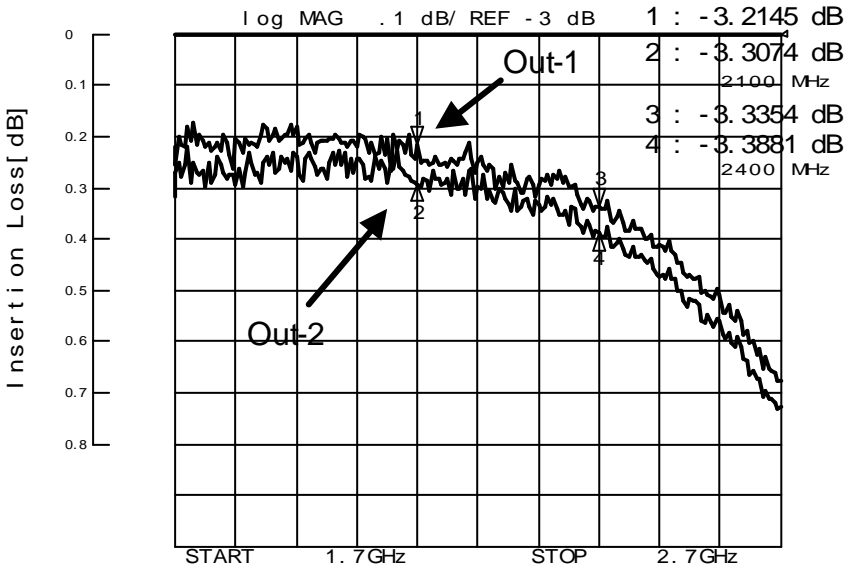
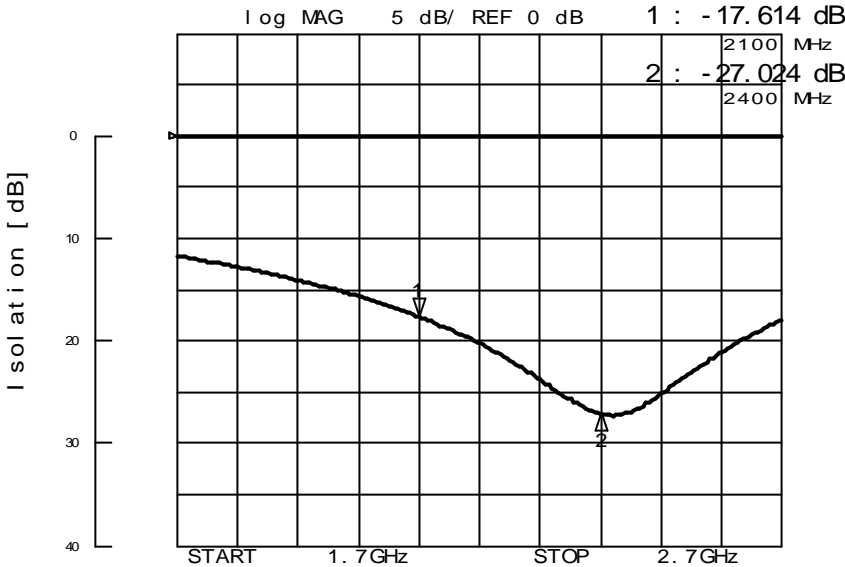
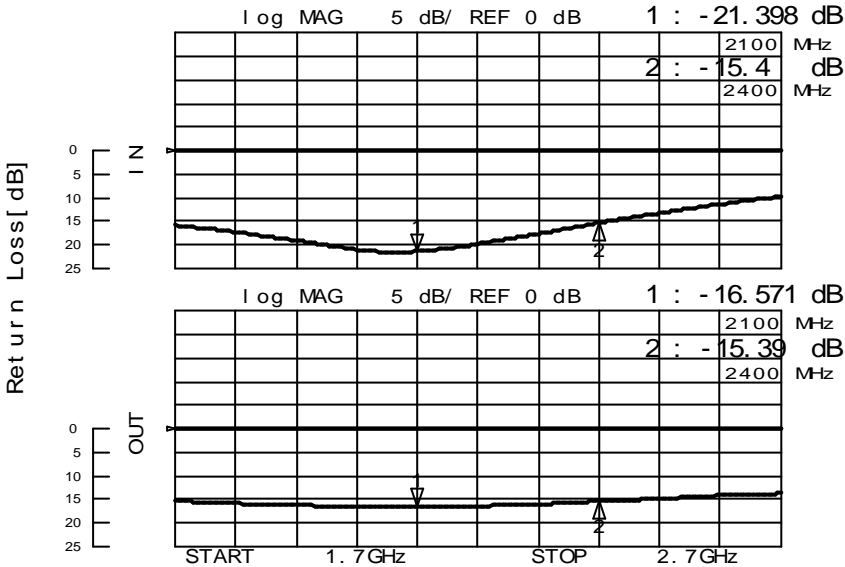
# FOOT PATTERN



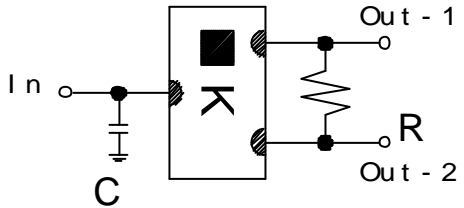
All the technical data and information contained herein are subject to change without notice.

**LH-FSLH-S220C-0406A**

# FSLH-S220C Sample Data



2100/2400 MHz  
 Chip Multilayer Splitter/Combiner "FSLH-S220C"



**C:0.75pF**  
**R:100 ohm**

**LH-FSLH-S220C-0406A**