

KVR133X64C3Q/256
256MB 32M x 64-Bit PC133
CL3 168-Pin DIMM Module

DESCRIPTION:

This document describes ValueRAM's 32M x 64-bit (256MB) PC133 CL3 SDRAM (Synchronous DRAM) DIMM module. The components on this module include sixteen 16M x 8-bit (4M x 8-bit x 4 Bank) PC133 SDRAM in TSOP packages. This 168-pin DIMM uses gold contact fingers and requires +3.3V. The electrical and mechanical specifications are as follows:

FEATURES:

- | | |
|--------------------------|--|
| ✓ CLK Cycle Time (tCC) | min. = 7.5ns (CAS Latency = 3) / max. = 1000ns |
| ✓ Row Cycle Time (tRC) | 65ns |
| ✓ CLK to Output (tSAC) | max. = 5.4ns (CAS Latency = 3) |
| ✓ Single Power Supply of | +3.3V (+/- .3V) |
| ✓ Power | 3.168 W (operating) |
| ✓ UL Rating | 94 V - 0 |

Note: The module defined in this data sheet is one of several configurations available under this part number. While all configurations are compatible, the DRAM combination and/or the module height may vary from what is described here. However, in no configuration will the module height exceed 1.375" (34.92mm).

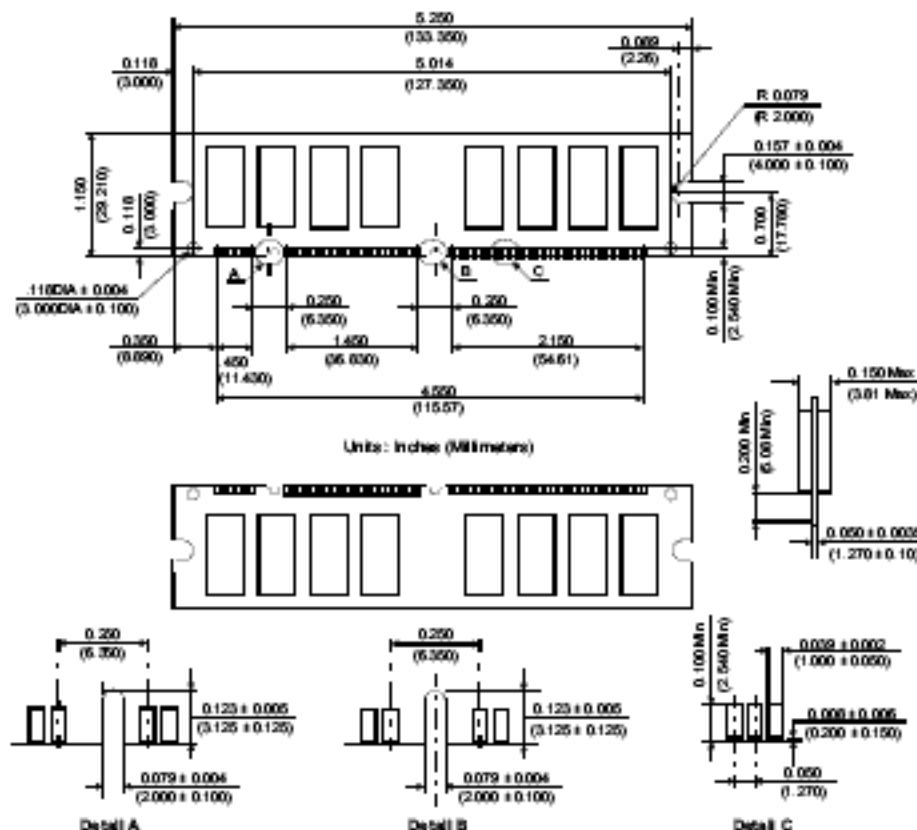


Figure 1: KVR133X64C3/256Q 168-Pin SDRAM Module