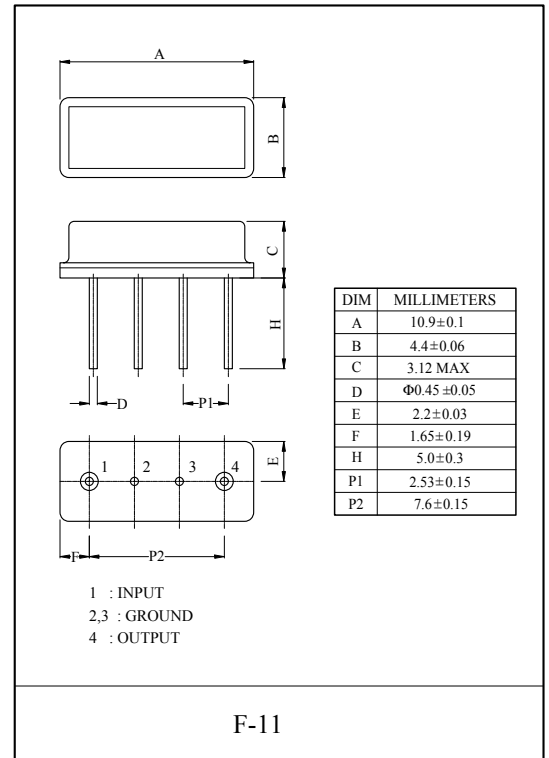


Band pass filter for the IF circuits of cordless phone

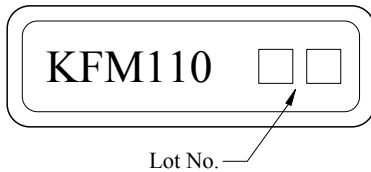
- Low insertion loss.
- High selectivity.

MAXIMUM RATING (Ta=25°C)

ITEM	SYMBOL	RATING	UNIT
Input Signal Level	IS _{max}	0	dBm
DC Permissive Voltage	V _{DC}	+10	V
Operating Temperature Range	T _{opr}	-10 ~ +60	°C
Storage Temperature Range	T _{stg}	-40 ~ +85	°C



MARKING



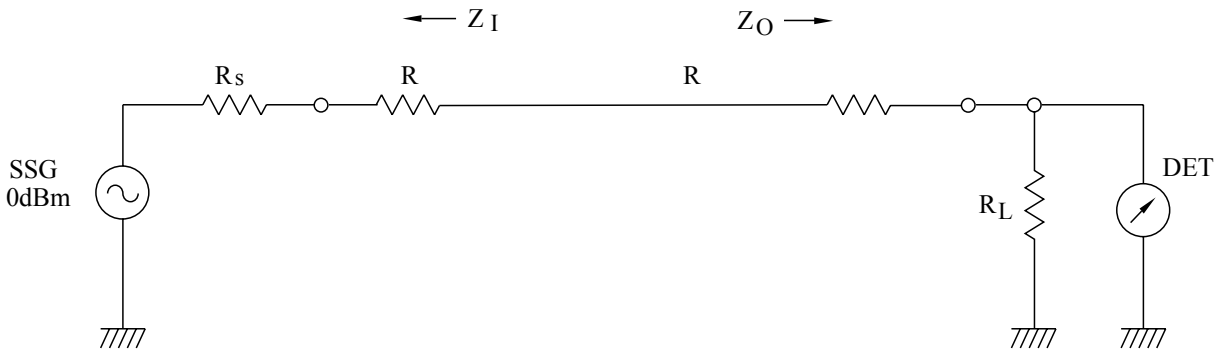
ELECTRICAL CHARACTERISTICS (Temperature 25°C)

ITEMS	SYMBOL	TEST CONDITION	MIN.	TYP.	MAX.	UNIT
Nominal Center Frequency	f ₀	-	-	110.592	-	MHz
Bandwidth	BW _{3dB}	-	f ₀ ± 0.4	-	-	MHz
Insertion Loss	IL	at minimum loss point	-	3.0	4.0	dB
Rejection Level (from minimum loss point)	IL _{STOP}	f ₀ -3 × 1.728MHz	41	46	-	dB
		f ₀ -2 × 1.728MHz	30	35	-	
		f ₀ -1.728MHz	29	34	-	
		f ₀ -1.15MHz	6	17	-	
		f ₀ +1.15MHz	6	10	-	
		f ₀ +1.728MHz	25	30	-	
		f ₀ +2 × 1.728MHz	27	32	-	
Group Delay Time Deviation	G.D.T	f ₀ ± 0.4MHz	-	-	0.75	μsec.
Input/Output Impedance	Z _I (Z _O)	-	-	300 Ω // 1.2 μH	-	-

KFM110

TEST CIRCUIT

REFERENCE LEVEL TEST CIRCUIT

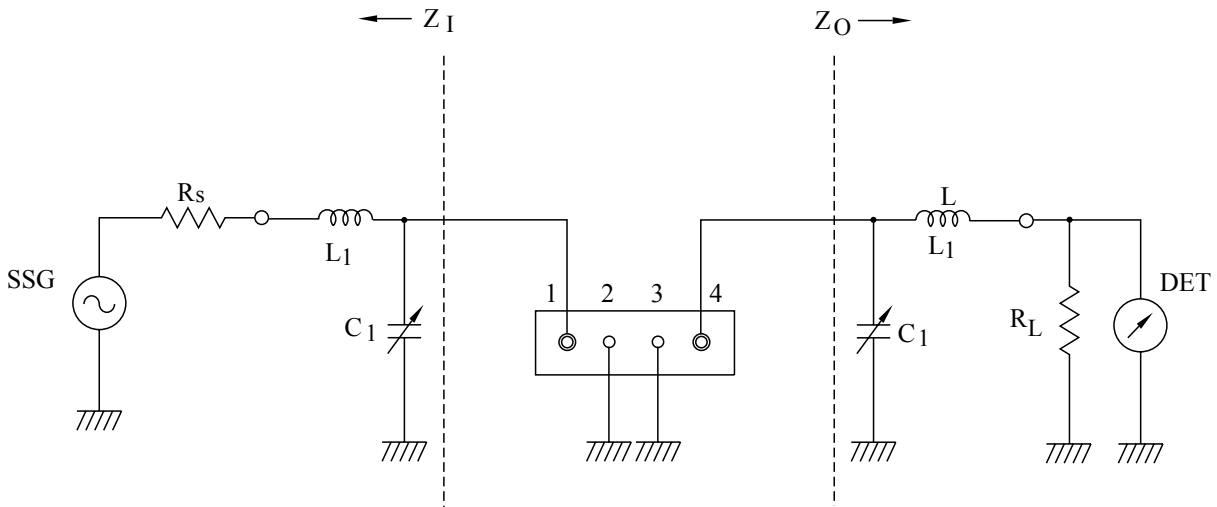


$R_s, R_L : 50\Omega$ (Internal Impedance of Source and Load)

$R : 0\Omega$

$Z_I(Z_O) = R_s(R_L) + R$

MEASUREMENT CIRCUIT



1: Input 2, 3 : Ground 4: Output

$R_s, R_L : 50\Omega$ (Internal Impedance of Source and Load)

$C_1 : 7\text{pF}$ (Reference value)

$L_1 : 150\text{nH}$ (Reference value)