



Features

- UC3 compliant in accordance with IEC 62055-31
- Strong resistance ability to short circuit current at 3600A (30 times more than rated load current)
- 120A switching capability
- Heavy load up to 33.24kVA
- 4kV dielectric strength (between coil and contacts)
- Environmental friendly product (RoHS compliant)
- Outline Dimensions: (52.0 x 43.0 x 22.0) mm

CONTACT DATA

Contact arrangement	1A
Voltage drop	Typ.: 50mV (at 10A) Max.: 250mV (at 10A)
Contact material	Silver alloy
Contact rating (Res. load)	120A 277VAC/28VDC
Max. switching voltage	440VAC
Max. switching current	120A
Max. switching power	33240VA/3360W
Mechanical endurance	2 x 10 ⁶ OPS
Electrical endurance	1 x 10 ⁴ OPS

CHARACTERISTICS

Insulation resistance	1000MΩ (at 500VDC)	
Dielectric strength (Between coil & contacts)	4000VAC 1min	
Creepage distance	8mm	
Operate time (at nomi. volt.)	20ms max	
Release time (at nomi. volt.)	20ms max	
Shock resistance	Functional	100m/s ²
	Destructive	1000m/s ²
Vibration resistance	10 ~ 55Hz 1.0mm DA	
Humidity	98%RH, 40°C	
Ambient temperature	-40°C to 70°C	
Termination	QC	
Unit weight	Approx. 100g	
Construction	Dust protected	

COIL

Coil power	Single Coil: 2.4W; Double Coil: 4.8W
------------	--------------------------------------

COIL DATA

at 23°C

Nominal Voltage VDC	Pick-up Voltage VDC	Pulse Duration ms	Coil Resistance x (±10%) Ω	
6	4.8	200	Single Coil	16
12	9.6	200		60
24	19.2	200		250
48	38.4	200		1000
6	4.8	200	Double Coils	2×8
12	9.6	200		2×30
24	19.2	200		2×125
48	38.4	200		2×500

Notice

1. Relay is on the "reset" status when being released from stock, with the consideration of shock risen from transit and relay mounting, relay would be changed to "set" status, therefore, when application (connecting the power supply), please reset the relay to "set" or "reset" status on request.
2. In order to maintain "set" or "reset" status, energized voltage to coil should reach the rated voltage, impulse width should be 5 times more than "set" or "reset" time. Do not energize voltage to "set" coil and "reset" coil simultaneously. And also long energized time (more than 1 min) should be avoided.
3. The terminals of relay without twisted copper wire can not be tin-soldered, can not be moved willfully, more over two terminals can not be fixed at the same time.



HONGFA RELAY

ISO9001、ISO/TS16949、ISO14001、OHSAS18001 CERTIFIED

2007 Rev. 2.00

ORDERING INFORMATION

Type	JE12		-A/	12	H	T	F	2	R	(XXX)
Version	A: Type A contact terminal B: Type B contact terminal C: Type C contact terminal D: Type D contact terminal E: Type E contact terminal									
Coil voltage	6, 12, 24, 48VDC									
Contact form	H: 1 Form A									
Contact material	T: Silver alloy									
Insulation standard	B: Class B		F: Class F							
Sort	1: 1 coil latching		2: 2 coils latching							
Polarity	R: Reverse polarity		Nil: Standard polarity							
Customer special code	¹⁾ Only for special requirements, e.g. (555) stands for RoHS compliant									

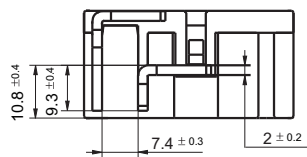
Notes: 1) JE12 is an environmental friendly product. Please mark a special code (555) when ordering.

OUTLINE DIMENSIONS AND WIRING DIAGRAM

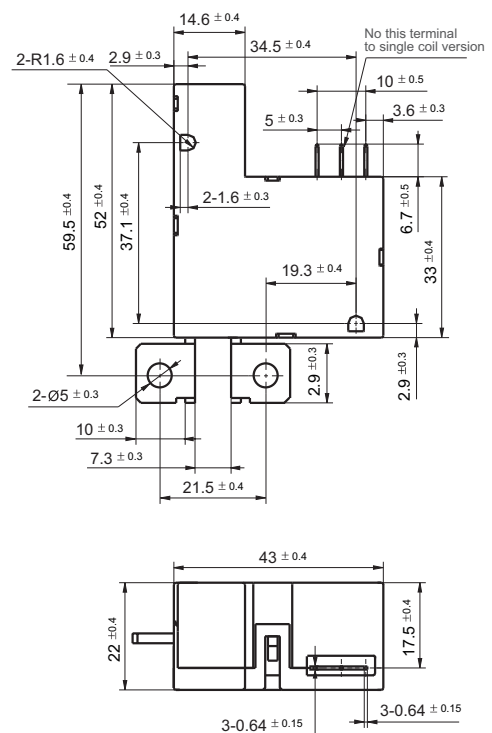
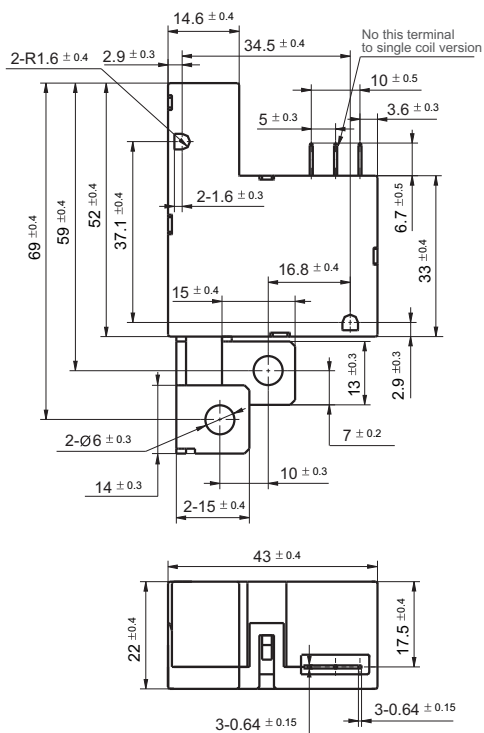
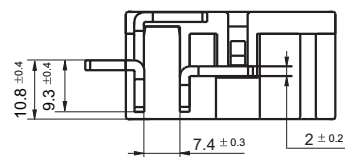
Unit: mm

Outline Dimensions

Type A contact terminal

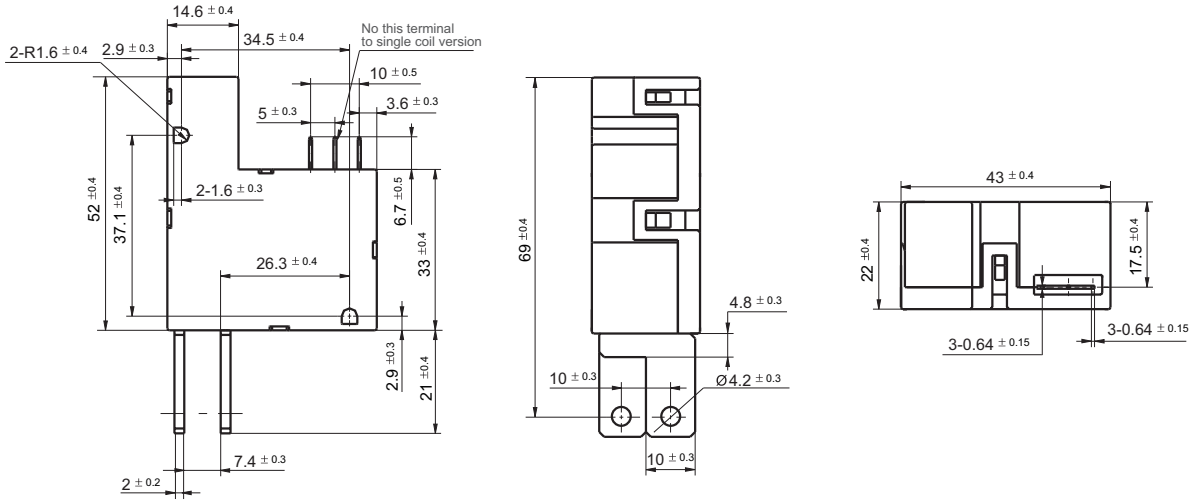


Type B contact terminal

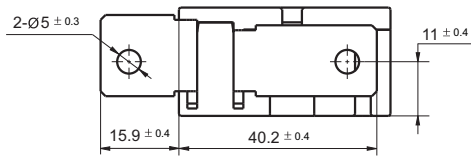


Outline Dimensions

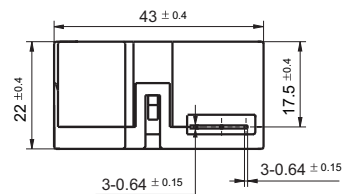
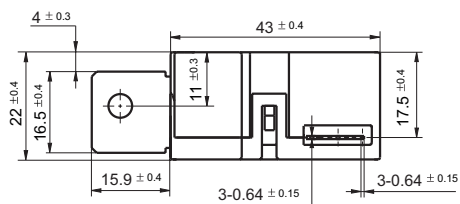
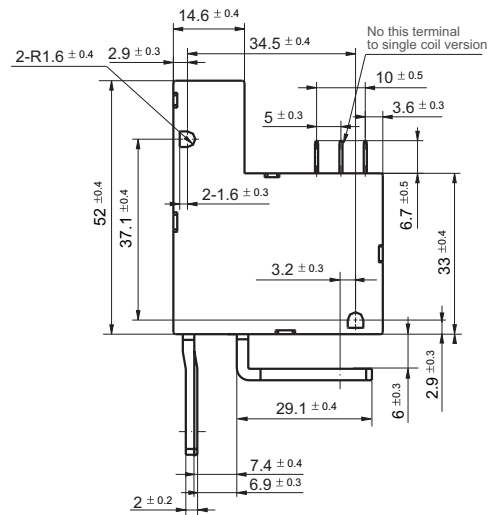
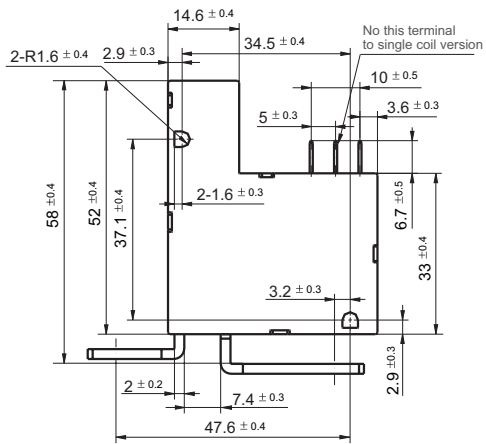
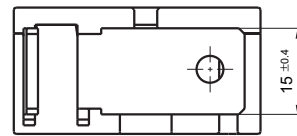
Type C contact terminal



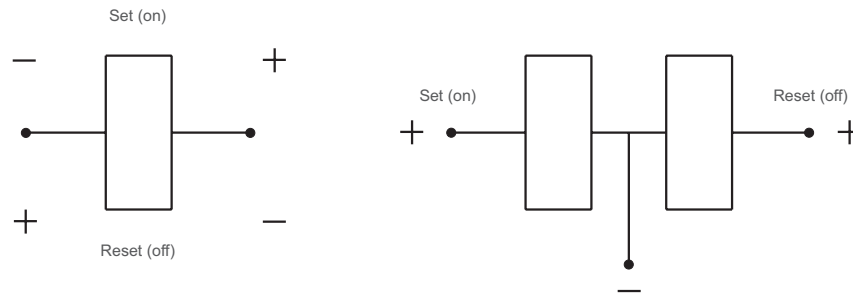
Type D contact terminal



Type E contact terminal



Coil Wiring Diagram



Disclaimer

This datasheet is for the customers' reference. All the specifications are subject to change without notice. We could not evaluate all the performance and all the parameters for every possible application. Thus the user should be in a right position to choose the suitable product for their own application. If there is any query, please contact Hongfa for the technical service. However, it is the user's responsibility to determine which product should be used only.

© Xiamen Hongfa Electroacoustic Co., Ltd. All rights of Hongfa are reserved.