

Features

- Low power consumption
- Wide operating voltage (12V max.)
- Low voltage drop
- TO-92, SOT-89 and SOT-25 package
- Low temperature coefficient

Applications

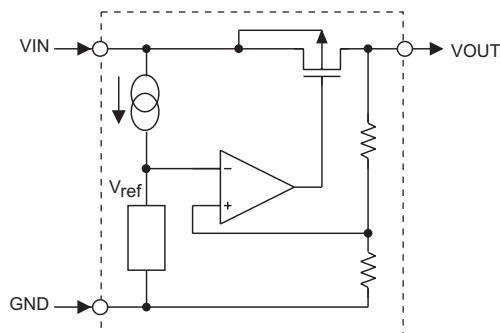
- Battery-powered equipment
- Audio/Video equipment
- Communication equipment

General Description

The HT1015-1 is a three-terminal low power voltage regulator implemented in CMOS technology. It is available with a fixed output voltage at 1.5V. CMOS technology ensures low voltage drop and low quiescent current.

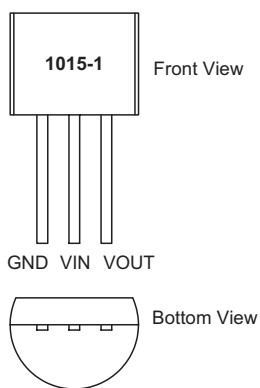
Although designed primarily as a fixed voltage regulator, this device can be used with external components to obtain variable voltages and currents.

Block Diagram

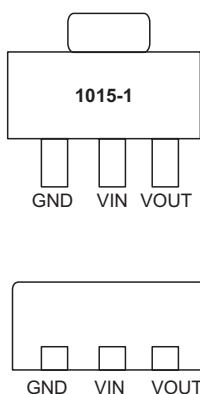


Pin Assignment

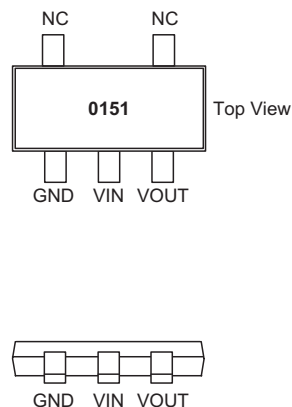
TO-92



SOT-89



SOT-25



Note: For lead free devices, TO-92 package will add a "#" mark at the end of the date code, whereas SOT-89 and SOT-25 packages will add a "#" mark at the end of the marking.

Absolute Maximum Ratings

Supply Voltage	$V_{SS}-0.3V$ to $V_{SS}+13V$	Storage Temperature	$-50^{\circ}C$ to $125^{\circ}C$
Power Consumption (*1)	200mW	Operating Temperature	$-40^{\circ}C$ to $85^{\circ}C$
Power Consumption (*2)	150mW		

Note: These are stress ratings only. Stresses exceeding the range specified under "Absolute Maximum Ratings" may cause substantial damage to the device. Functional operation of this device at other conditions beyond those listed in the specification is not implied and prolonged exposure to extreme conditions may affect device reliability.

*1: applied to SOT-89 and TO-92

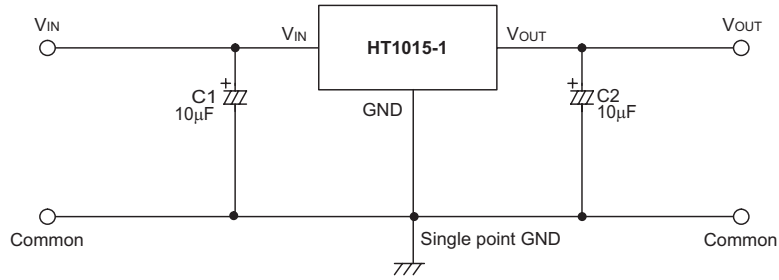
*2: applied to SOT-25

Electrical Characteristics
 $T_a=25^{\circ}C$

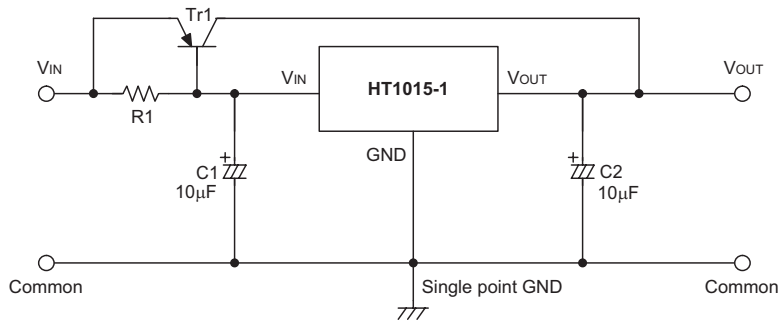
Symbol	Parameter	Test Conditions		Min.	Typ.	Max.	Unit
		V_{IN}	Conditions				
V_{OUT}	Output Voltage Tolerance	3.5V	$I_{OUT}=0.5mA$	1.455	1.5	1.545	V
I_{OUT}	Output Current	3.5V	—	7.0	18	—	mA
ΔV_{OUT}	Load Regulation	3.5V	$1mA \leq I_{OUT} \leq 7mA$	—	15	—	mV
V_{DIF}	Voltage Drop	—	$I_{OUT}=0.5mA$	—	250	—	mV
I_{SS}	Current Consumption	3.5V	No load	—	2.2	5.0	μA
$\frac{\Delta V_{OUT}}{\Delta V_{IN} \times V_{OUT}}$	Line Regulation	—	$2.5V \leq V_{IN} \leq 12V$ $I_{OUT}=0.5mA$	—	0.1	—	%/V
V_{IN}	Input Voltage	—	—	—	—	12	V
$\frac{\Delta V_{OUT}}{\Delta T_a}$	Temperature Coefficient	3.5V	$I_{OUT}=0.5mA$ $-40^{\circ}C \sim 85^{\circ}C$	—	-0.75	—	mV/ $^{\circ}C$

Application Circuits

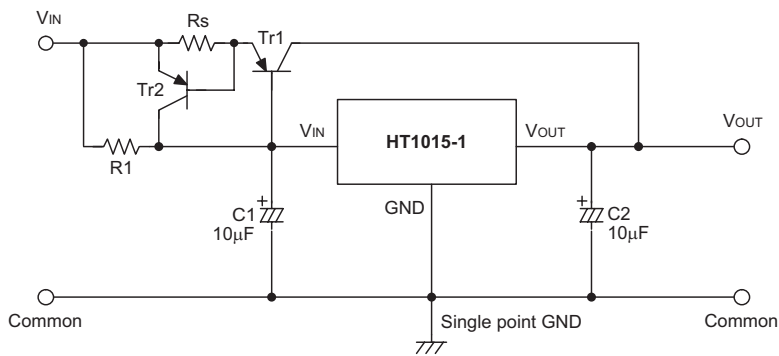
Basic Circuit



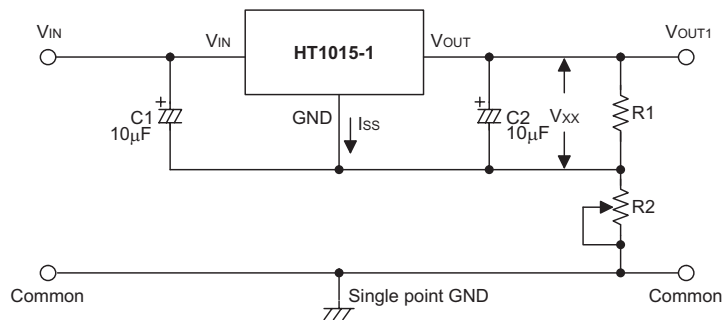
High Output Current Positive Voltage Regulator



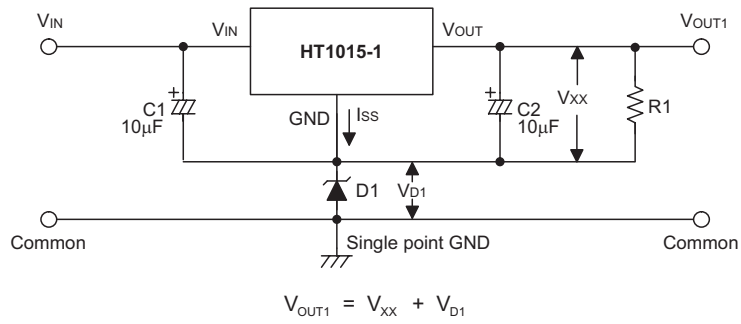
Short-Circuit Protection Using External Transistors



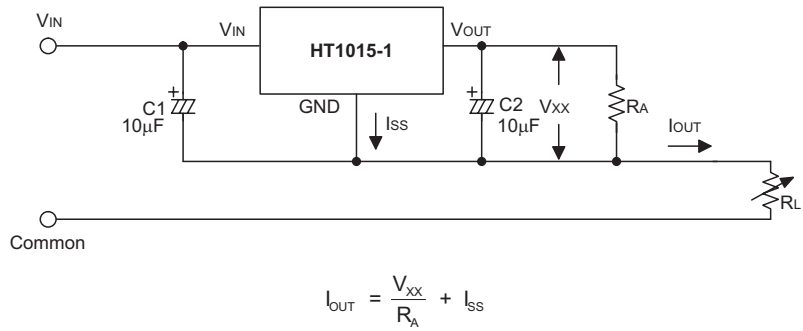
Increased Output Voltage Circuits



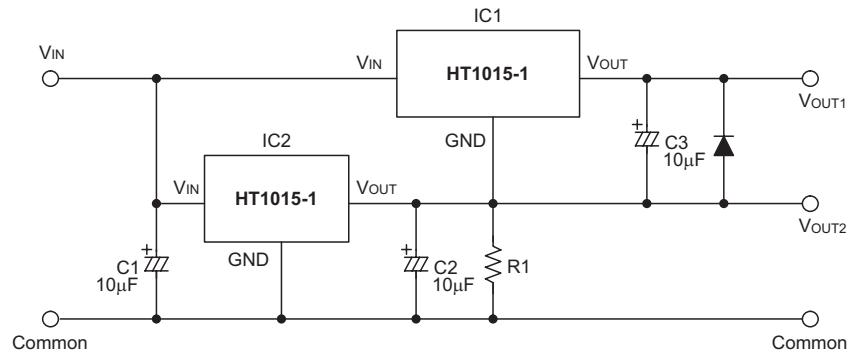
$$V_{OUT1} = V_{xx} \left(1 + \frac{R2}{R1} \right) + I_{SS} R2$$



Constant Current Regulator

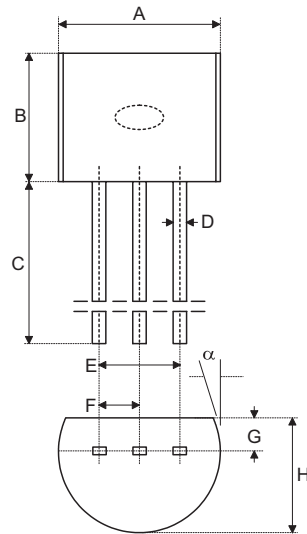


Dual Supply



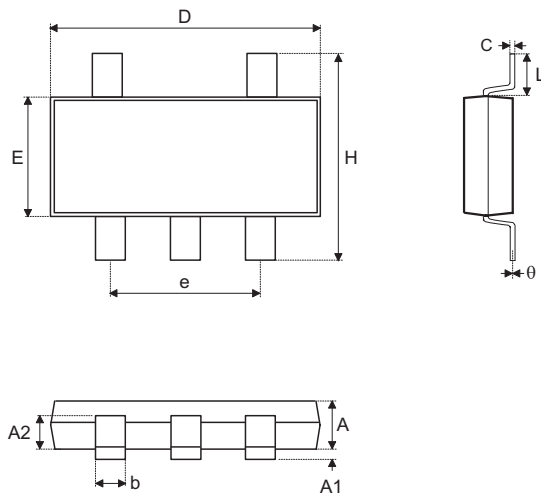
Package Information

3-pin TO-92 Outline Dimensions



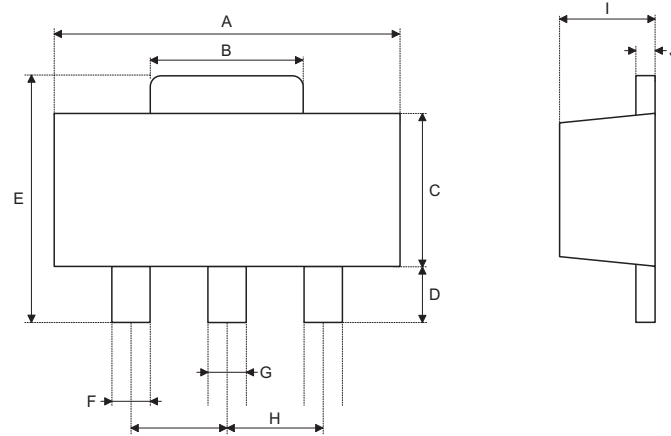
Symbol	Dimensions in mil		
	Min.	Nom.	Max.
A	170	—	200
B	170	—	200
C	500	—	—
D	11	—	20
E	90	—	110
F	45	—	55
G	45	—	65
H	130	—	160
I	8	—	18
α	4°	—	6°

5-pin SOT-25 Outline Dimensions



Symbol	Dimensions in mm		
	Min.	Nom.	Max.
A	1	—	1.3
A1	—	—	0.1
A2	0.7	—	0.9
b	0.35	—	0.5
C	0.1	—	0.25
D	2.7	—	3.1
E	1.4	—	1.8
e	—	1.9	—
H	2.6	—	3
L	0.37	—	—
θ	1°	—	9°

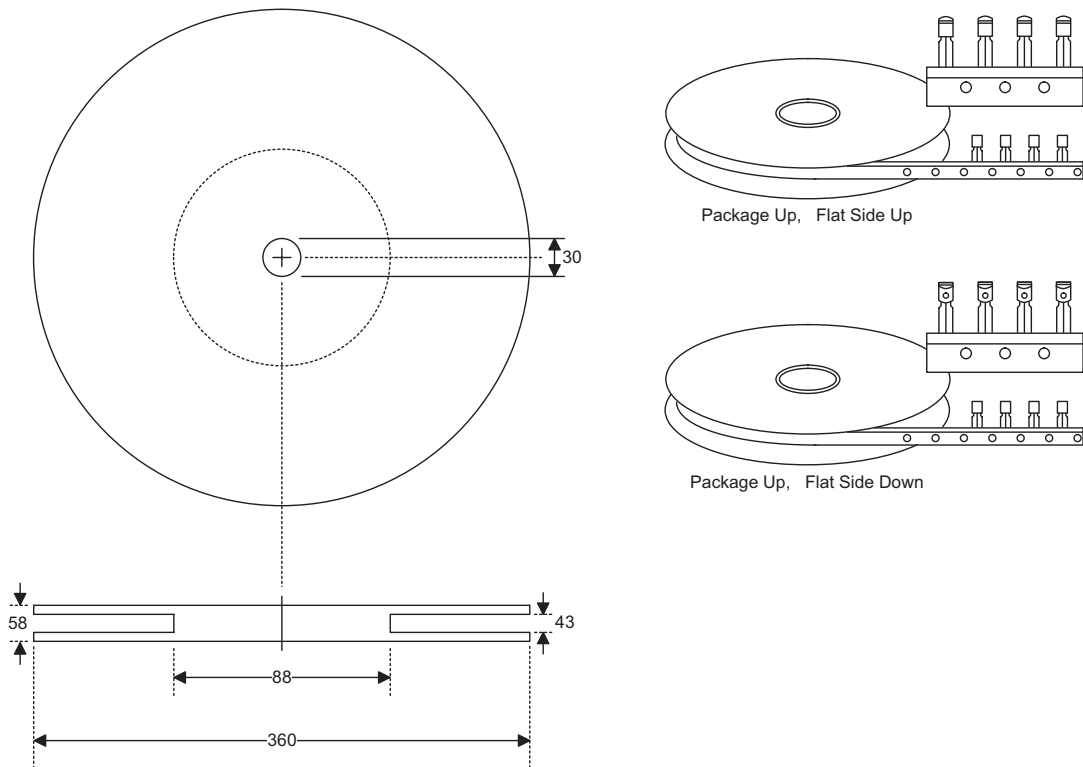
3-pin SOT-89 Outline Dimensions



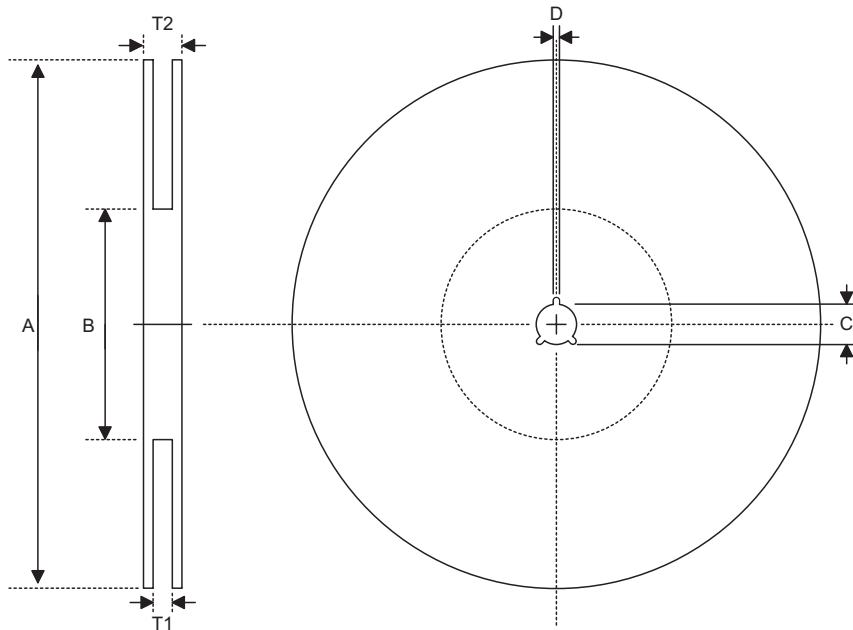
Symbol	Dimensions in mil		
	Min.	Nom.	Max.
A	173	—	181
B	64	—	72
C	90	—	102
D	35	—	47
E	155	—	167
F	14	—	19
G	17	—	22
H	—	59	—
I	55	—	63
J	14	—	17

Product Tape and Reel Specifications

TO-92 Reel Dimensions (Unit: mm)



Reel Dimensions

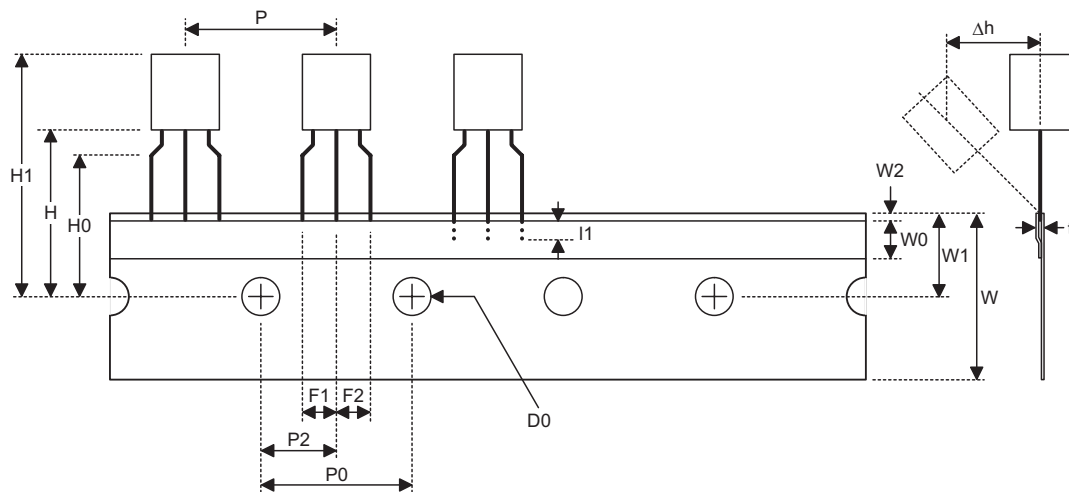


SOT-89

Symbol	Description	Dimensions in mm
A	Reel Outer Diameter	180±1.0
B	Reel Inner Diameter	62±1.5
C	Spindle Hole Diameter	12.75±0.15
D	Key Slit Width	1.9±0.15
T1	Space Between Flange	12.4±0.2
T2	Reel Thickness	17-0.4

SOT-25

Symbol	Description	Dimensions in mm
A	Reel Outer Diameter	178±1
B	Reel Inner Diameter	62±1
C	Spindle Hole Diameter	13±0.2
D	Key Slit Width	2.5±0.25
T1	Space Between Flange	8.4±1.5
T2	Reel Thickness	11.4±1.5

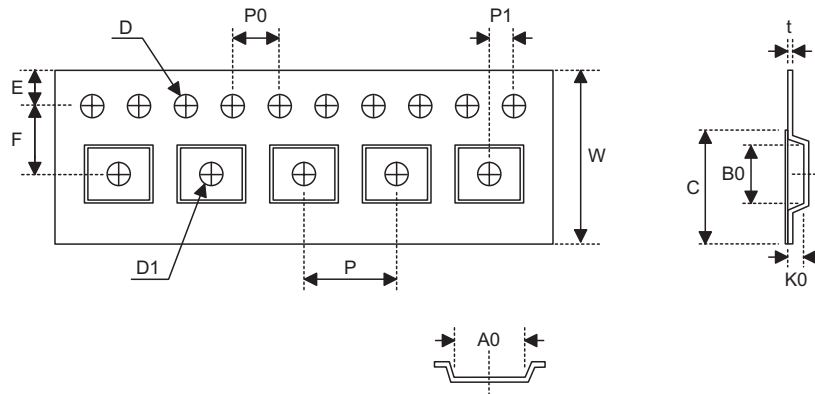
Carrier Tape Dimensions

TO-92

Symbol	Description	Dimensions in mm
l1	Taped Lead Length	(2.5)
P	Component Pitch	12.7±1.0
P0	Perforation Pitch	12.7±0.3
P2	Component to Perforation (Length Direction)	6.35±0.4
F1	Lead Spread	2.5+0.4 -0.1
F2	Lead Spread	2.5+0.4 -0.1
Δh	Component Alignment	0±0.1
W	Carrier Tape Width	18.0+1.0 -0.5
W0	Hold-down Tape Width	6.0±0.5
W1	Perforation Position	9.0±0.5
W2	Hold-down Tape Position	(0.5)
H0	Lead Clinch Height	16.0±0.5
H1	Component Height	Less than 24.7
D0	Perforation Diameter	4.0±0.2
t	Taped Lead Thickness	0.7±0.2
H	Component Base Height	19.0±0.5

Note: Thickness less than 0.38±0.05mm~0.5mm

P0 Accumulated pitch tolerance: ±1mm/20pitches.

() Bracketed figures are for consultation only


SOT-89

Symbol	Description	Dimensions in mm
W	Carrier Tape Width	12.0+0.3 -0.1
P	Cavity Pitch	8.0±0.1
E	Perforation Position	1.75±0.1
F	Cavity to Perforation (Width Direction)	5.5±0.05
D	Perforation Diameter	1.5+0.1
D1	Cavity Hole Diameter	1.5+0.1
P0	Perforation Pitch	4.0±0.1
P1	Cavity to Perforation (Length Direction)	2.0±0.10
A0	Cavity Length	4.8±0.1
B0	Cavity Width	4.5±0.1
K0	Cavity Depth	1.8±0.1
t	Carrier Tape Thickness	0.30±0.013
C	Cover Tape Width	9.3

SOT-25

Symbol	Description	Dimensions in mm
W	Carrier Tape Width	8±0.3
P	Cavity Pitch	4
E	Perforation Position	1.75
F	Cavity to Perforation (Width Direction)	3.5±0.05
D	Perforation Diameter	1.5+0.1
D1	Cavity Hole Diameter	1.5+0.1
P0	Perforation Pitch	4
P1	Cavity to Perforation (Length Direction)	2
A0	Cavity Length	3.15
B0	Cavity Width	3.2
K0	Cavity Depth	1.4
t	Carrier Tape Thickness	0.2±0.03
C	Cover Tape Width	5.3

Holtek Semiconductor Inc. (Headquarters)

No.3, Creation Rd. II, Science Park, Hsinchu, Taiwan
Tel: 886-3-563-1999
Fax: 886-3-563-1189
<http://www.holtek.com.tw>

Holtek Semiconductor Inc. (Taipei Sales Office)

4F-2, No. 3-2, YuanQu St., Nankang Software Park, Taipei 115, Taiwan
Tel: 886-2-2655-7070
Fax: 886-2-2655-7373
Fax: 886-2-2655-7383 (International sales hotline)

Holtek Semiconductor Inc. (Shanghai Sales Office)

7th Floor, Building 2, No.889, Yi Shan Rd., Shanghai, China 200233
Tel: 021-6485-5560
Fax: 021-6485-0313
<http://www.holtek.com.cn>

Holtek Semiconductor Inc. (Shenzhen Sales Office)

43F, SEG Plaza, Shen Nan Zhong Road, Shenzhen, China 518031
Tel: 0755-8346-5589
Fax: 0755-8346-5590
ISDN: 0755-8346-5591

Holtek Semiconductor Inc. (Beijing Sales Office)

Suite 1721, Jinyu Tower, A129 West Xuan Wu Men Street, Xicheng District, Beijing, China 100031
Tel: 010-6641-0030, 6641-7751, 6641-7752
Fax: 010-6641-0125

Holmate Semiconductor, Inc. (North America Sales Office)

46712 Fremont Blvd., Fremont, CA 94538
Tel: 510-252-9880
Fax: 510-252-9885
<http://www.holmate.com>

Copyright © 2006 by HOLTEK SEMICONDUCTOR INC.

The information appearing in this Data Sheet is believed to be accurate at the time of publication. However, Holtek assumes no responsibility arising from the use of the specifications described. The applications mentioned herein are used solely for the purpose of illustration and Holtek makes no warranty or representation that such applications will be suitable without further modification, nor recommends the use of its products for application that may present a risk to human life due to malfunction or otherwise. Holtek's products are not authorized for use as critical components in life support devices or systems. Holtek reserves the right to alter its products without prior notification. For the most up-to-date information, please visit our web site at <http://www.holtek.com.tw>.