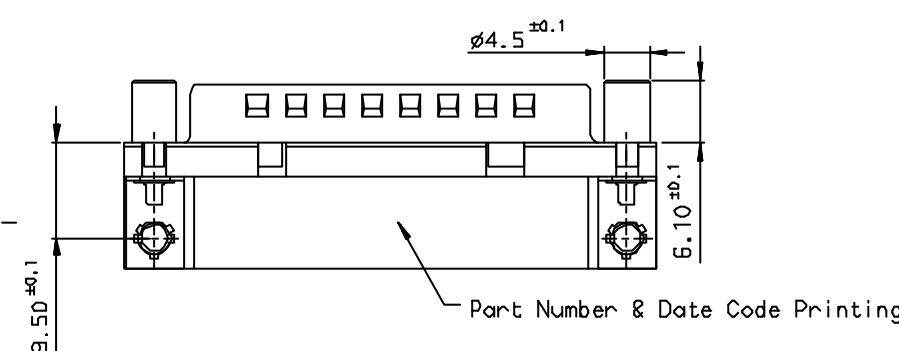
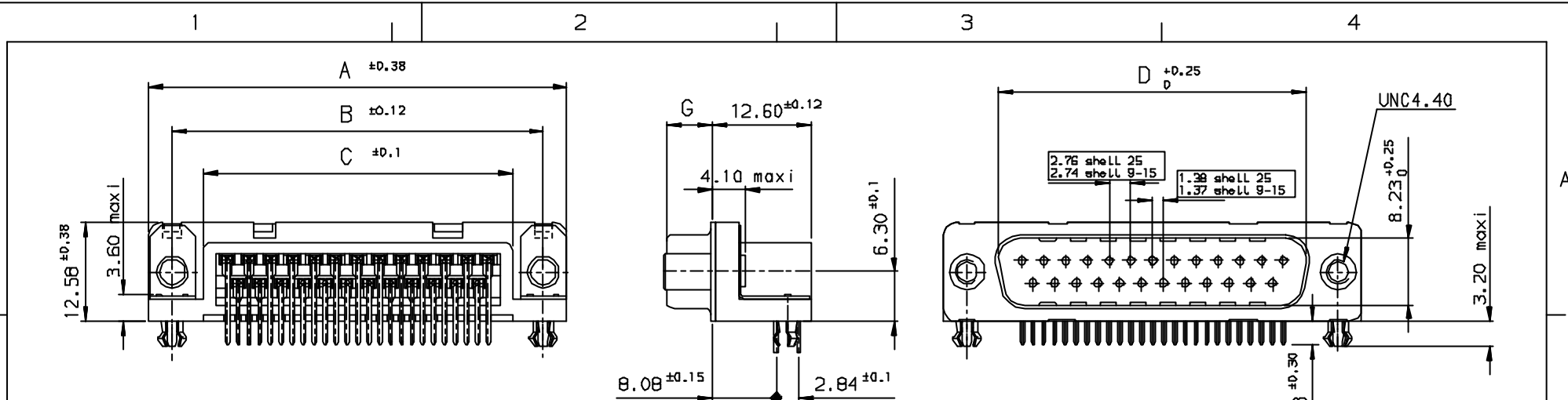


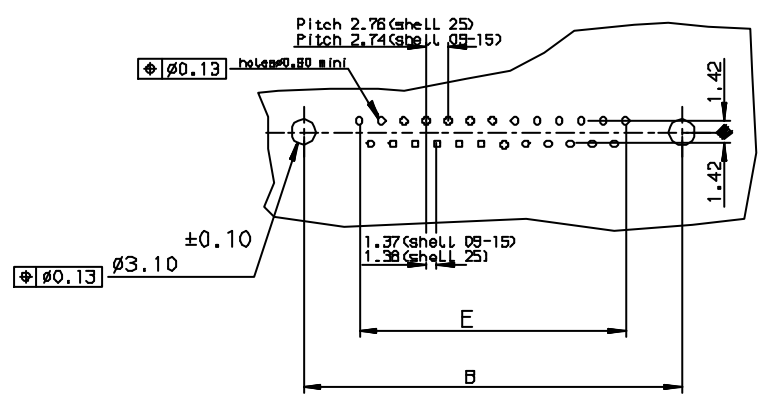
Tous droits strictement réservés. Reproduction ou utilisation sans autorisation écrite est formellement interdite. Toute réimpression sans autorisation écrite est formellement interdite. Droits de reproduction FCI.

FCI

All rights strictly reserved. Reproduction or use in any form without written authority from the proprietor. Property of FCI. Copyright FCI.



PC card drilling dimensions (after plating)
(thickness 1.60 ± 0.20mm)



PuLL Parts							
SHELL	A±0.38	B±0.12	C±0.10	D±0.25	E±0.07	G±0.25	PART NUMBER
09	30.81	24.99	16.96	16.79	10.96	5.90	D09P33E4GV00**
15	39.14	33.32	25.18	25.12	19.18	5.90	D15P33E4GV00**
25	53.03	47.04	39.12	38.84	33.12	5.70	D25P33E4GV00**

GENERAL CHARACTERISTICS - SEE DRAWING C01-8545-0000

LF FOR LEAD FREE

		✓		Tolerance LINEAR ±0.1 ANGULAR ±1°	Projection 	MM ↔
Dr JOHN SLEEBA	7/4/03	Product Family	II-SUB	Size	A3	Scale
Eng GEORGE VJ	7/4/03	Spec ref		ECN		
Chr GEORGE VJ	27/7/05	Material				
Appr K Somasundaram	27/7/05					
FCI	Title MALE CONNECT. DELTA D right angle screwlock, harpoon & metal plate	Dwg no C01-8545-0151	Rev. d			
Catalog no DELTA-D		CUSTOMER COPY	Sheet 1 of 1			

d	DATE	REVISION DESCRIPTION
d	27/7/05	LEAD FREE DETAILS ADDED

Utr	Eon no	Dr	date
d	105-0124	J5	27/7/05