

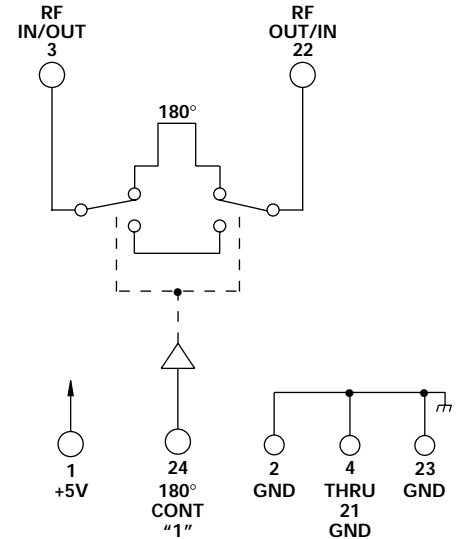
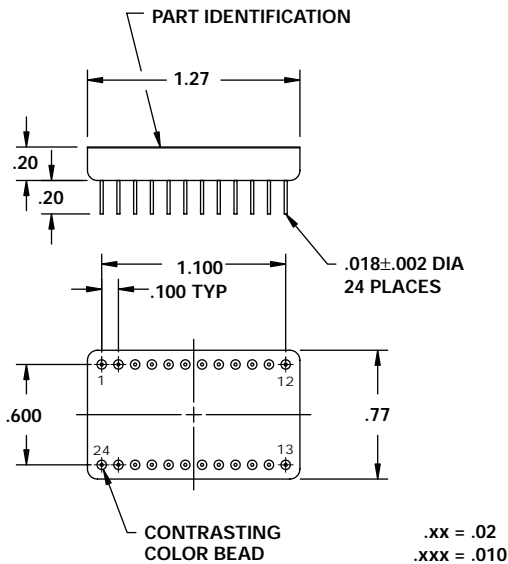
FEATURES

- 1030 - 1110 MHz
- ± 3.0 Deg. Phase Accuracy
- 0.2 mA @ +5 VDC
- Constant Insertion Loss
- 26 nSec Switching Speed
- TTL Control
- 24 Pin DIP



MODEL NO.
DP0881

GaAs 1 Section Phase Shifter



GUARANTEED PERFORMANCE

Parameter	Min	Typ	Max	Units	Conditions
Operating Frequency	1030		1110	MHz	
DC Current		0.2	5	mA	At +5 VDC $\pm 10\%$ Supply
Control Type		TTL			1 Line Logic "0" = Thru Logic "1" = Phase Shift
Control Current	<i>High</i>	0	± 20	μ A	$V_{IH} = +2.7$ V
	<i>Low</i>	0	± 20	μ A	$V_{IL} = +0.5$ V
Insertion Loss		1.4	1.6	dB	
	<i>Stability</i>	-0.2	± 0.5	dB	
	<i>Insertion Phase in Thru Cond.</i>	-148	-151	DEG	In T/F 200C2437
Phase Shift	<i>LSB</i>	0		DEG	At Fc
	<i>Range</i>	0	180	DEG	180
	<i>Accuracy</i>	± 0.5	± 3	DEG	
VSWR		1.1/1	1.3/1		
Impedance		50		OHMS	
Switching Speed		26	100	nSec	50% TTL to 90% / 10% RF
Transition (Rise/Fall) Time		18		nSec	90% / 10% or 10% / 90% RF
Switching (Video) Transients		40		mV	Peak Value
Intercept Points	<i>2nd</i>	+88		dBm	214 MHz / 127 MHz
	<i>3rd</i>	+46		dBm	107 MHz / 127 MHz
RF Power	<i>Operate</i>	+18	+15	dBm	0.1 dB Compression
	<i>No Damage</i>		+27	dBm	
Operating Temperature	-55	+25	+70	$^{\circ}$ C	TA

