

# Design Idea DI-58

## LinkSwitch™ Low Cost 1.5 W CV/CC Charger or Adapter



Application	Device	Power Output	Input Voltage	Output Voltage	Topology
Charger/Adapter	LNK500	1.5 W	85-265 VAC	5.5 V	Flyback

### Design Highlights

- Replaces a linear transformer based supply at the same or lower cost but with much higher performance
- <0.3 W consumption at zero load meets worldwide guidelines (EC's 0.3 W, USA's 1 W for example)
- Extremely simple circuit – only 15 components for production-worthy design
- Primary based CV/CC output – no secondary sense components required
- ±10% output voltage and ±25% output current tolerances at peak power point
- Fully protected for thermal, short circuit and open loop faults
- >62% efficiency (>70% with R1 replaced by an inductor)
- Meets CISPR22B/EN55022B EMI limits with low cost resistive input filter
- Ultra-low leakage current design <5 µA
- EE13 core for low cost and small size

### Operation

The AC input is rectified and filtered by D1, D2, C1 and C2. Conducted EMI filter is provided both by a  $\pi$  filter (C1, R1 and C2) and a differential filter (RF1 and C1). Together with a shield in the transformer (formed from part of the primary), the design meets conducted EMI limits with no Y-capacitor between primary and secondary. Resistor RF1 also functions as a fuse.

LinkSwitch derives all feedback information from the primary. During output diode conduction, the output voltage reflected through the turns ratio is sampled and held by C4. The feedback voltage across C4 ( $V_{OR}$ ) is converted into feedback current by R2 and fed into the CONTROL pin. This feedback current regulates the output by PWM control during CV operation, and by reducing the internal current limit during CC operation. Below an output voltage of ~2 V, LinkSwitch enters auto-restart, limiting average output current to less than 50 mA. The nominal transition from CV to CC occurs at 5.5 V, 0.27 A. The output envelope characteristic and specification limits are shown in Figure 2.

Together with D3, C4 and R2 are also part of the primary clamp, limiting the peak drain to source voltage due to leakage inductance. Resistor R3 filters the leading edge leakage inductance spike, reducing the error in the feedback voltage. The CONTROL pin capacitor C3 provides energy storage for supply start-up and sets auto-restart timing during fault conditions.

### Key Design Points

- Select transformer turns ratio to give a  $V_{OR}$  of 40 V to 60 V. Lower values reduce power capability; higher values increase no-load consumption.
- R2 provides 2.3 mA into the CONTROL pin at the peak power point at 85 VAC. The value can be adjusted to center the output voltage.

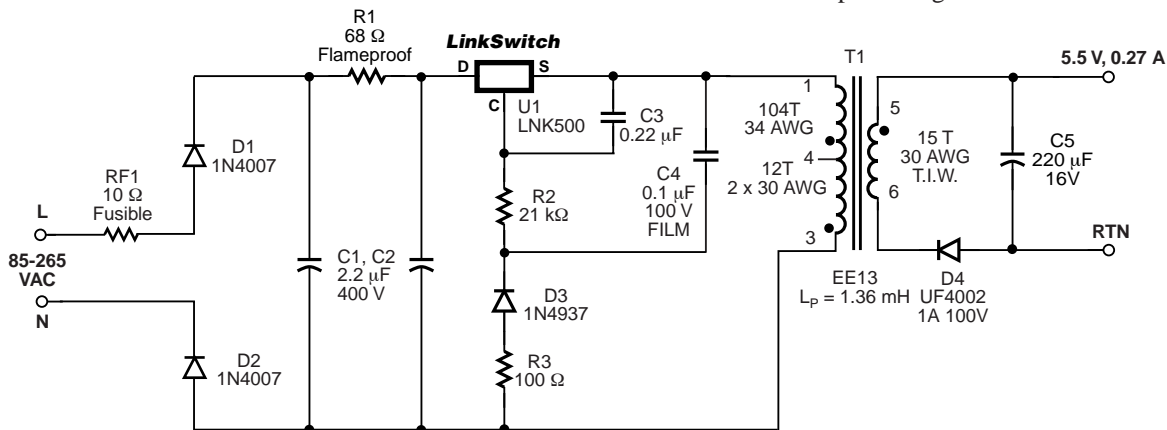


Figure 1. LinkSwitch 1.5 W Charger Power Supply: 85 VAC to 265 VAC Input, 5.5 V, 0.27 A Output

PI-3687-091903

- To maintain the  $\pm 25\%$  CC tolerance the primary inductance tolerance should be tighter than  $\pm 10\%$ .
- Minimize zero load consumption by reducing drain node capacitance: Use double coated/grade 2 wire for primary and do not vacuum impregnate. Avoid using an RC snubber across the output diode.
- For resistive loads, increase C3 to 1  $\mu\text{F}$  (electrolytic) to allow adequate time for start-up at full load.
- For battery loads, an output LC filter is typically not required but can be added for resistive loads to reduce switching ripple.
- R1 can be replaced with an inductor for higher efficiency ( $\sim 10\%$  increase).
- Adding a 1 mA to 2 mA pre-load reduces zero load voltage by  $\sim 1$  V but increases power consumption by  $\sim 10$  mW.
- Diode D4 can be replaced with a Schottky for higher efficiency.
- See AN-35 for more information.

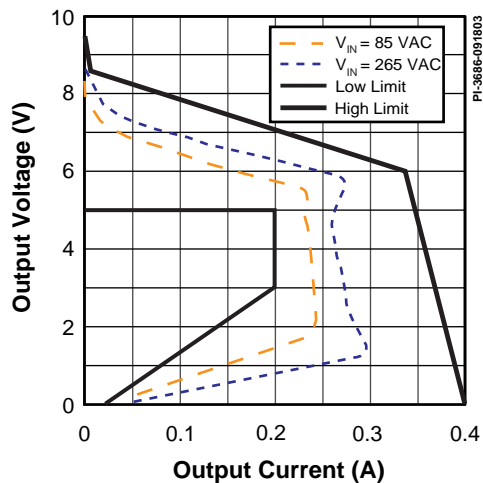


Figure 2. Load Regulation - CV/CC Characteristics with Limits.

TRANSFORMER PARAMETERS	
Core	TDK PC40 EE13, $A_L = 101 \text{ nH/T}^2$
Bobbin	EE13 Horizontal 8 pin
Winding Details	Primary: 104T, 34 AWG Shield: 12T, 2 x 30 AWG Secondary: 15T, 30 AWG T.I.W. Flux Band: 1T, 6 mm Cu foil (T.I.W.: Triple Insulated Wire)
Winding Order (pin numbers)	Secondary (5-6), tape, Shield (3-4), tape, Primary (4-1), tape, Flux band (3-NC)
Inductance	Primary: 1.36 mH $\pm 10\%$ , Leakage: 50 $\mu\text{H}$ (max.)
Primary Resonant Frequency	300 kHz (minimum)

Table 1. Transformer Construction Information.

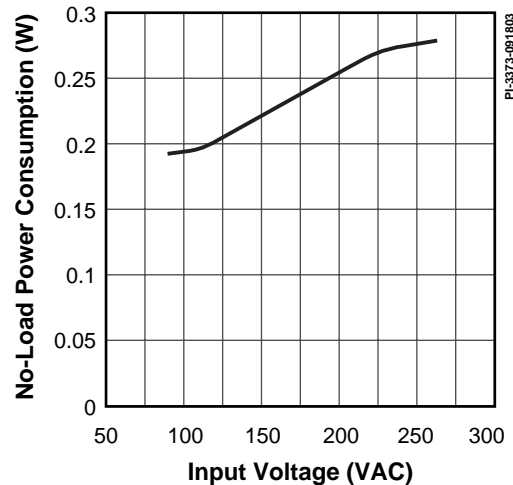


Figure 3. No-load Input Power Consumption.

For the latest updates, visit our Web site: [www.powerint.com](http://www.powerint.com)

Power Integrations reserves the right to make changes to its products at any time to improve reliability or manufacturability. Power Integrations does not assume any liability arising from the use of any device or circuit described herein, nor does it convey any license under its patent rights or the rights of others. The products and applications illustrated herein (including circuits external to the products and transformer construction) may be covered by one or more U.S. and foreign patents or potentially by pending U.S. and foreign patent applications assigned to Power Integrations. A complete list of Power Integrations' patents may be found at [www.powerint.com](http://www.powerint.com).

The PI Logo, TOPSwitch, TinySwitch, LinkSwitch and EcoSmart are registered trademarks of Power Integrations. PI Expert and DPA-Switch are trademarks of Power Integrations.

©Copyright 2003, Power Integrations.

#### WORLD HEADQUARTERS

Power Integrations, Inc.  
San Jose, CA, USA  
Phone: +1 408-414-9200

#### AMERICAS

Power Integrations, Inc.  
Buford, GA, USA  
Phone: +1 678-714-6033

#### CHINA (SHANGHAI)

Power Integrations Intl. Holdings, Inc.  
Shanghai, China  
Phone: +86-21-6215-5548

#### CHINA (SHENZHEN)

Power Integrations Intl. Holdings, Inc.  
Shenzhen, China  
Phone: +86-755-8367-5143

#### GERMANY

Power Integrations GmbH  
Munich, Germany  
Phone: +49-895-527-3910

#### INDIA (TECHNICAL SUPPORT)

Innovatech  
Bangalore, India  
Phone: +91-80-226-6023

#### ITALY

Power Integrations S.r.l.  
Milano, Italy  
Phone: +39-028-928-6001

#### JAPAN

Power Integrations, K.K.  
Kanagawa, Japan  
Phone: +81-45-471-1021

#### KOREA

Power Integrations Intl. Holdings, Inc.  
Seoul, Korea  
Phone: +82-2-782-2840

#### SINGAPORE (ASIA PACIFIC HQ)

Power Integrations Singapore Pte. Ltd.  
Singapore  
Phone: +65-6358-2160

#### TAIWAN

Power Integrations Intl. Holdings, Inc.  
Taipei, Taiwan  
Phone: +886-2-2727-1221

#### UK (EUROPE & AFRICA HQ)

Power Integrations (Europe) Ltd.  
Bracknell, Berkshire, United Kingdom  
Phone: +44-1344-462-300

#### APPLICATIONS HOTLINE

Phone: +1 408-414-9660  
Fax: +1 408-414-9760

#### CUSTOMER SERVICE

Phone: +1 408-414-9665  
Fax: +1 408-414-9765

For a complete list of our Worldwide Sales Representatives & Distributors visit our Web site:  
[www.powerint.com](http://www.powerint.com)