

Design Idea DI-26

TOPSwitch-GX[®] 7 W Digital Video Broadcast-Terrestrial (DVB-T) Supply



Application	Device	Power Output	Input Voltage	Output Voltage	Topology
DVB-T	TOP242P	7 W	195 to 265 VAC	2.5 V / 3.3 V / 6.2 V / 30 V	Flyback

Design Highlights

- Meets CISPR22B/EN55022B conducted EMI limits with output return grounded
- <0.5 W input power at zero load
- 132 kHz operation and programmable current limit allows small, low cost EF16 transformer for 7 W output
- Low component count design occupies 80 x 30 x 16 mm
- Integrated soft-start reduces start-up component stresses

Operation

The TOPSwitch-GX flyback supply provides 4 outputs, delivering 7 W from a 230 VAC $\pm 15\%$ input. The TOP242P was selected for low cost, the DIP-8 package removing the need for an external heat sink. Resistor R7 programs the internal TOP242P current limit to 78% of nominal, just above the level needed for full load at low line. This feature allows a more continuous transformer design for better efficiency and cross-regulation, without requiring a larger core size.

Resistor R12, C10 and L2 filter conducted EMI; R12 is a flame-proof fusible type, also functioning as a fuse. For lower cost, if the supply does not have to meet conducted EMI with the output connected to earth ground, the common mode choke can be replaced with a π filter. A Zener clamp (D11 and VR1) was selected over an RCD clamp to minimize zero load consumption. Secondary side feedback is taken from the 3.3 V $\pm 5\%$ output since this has the tightest tolerance requirement. The 2.5 V $\pm 5\%$ output is derived directly from the 3.3 V output using D4. A 60 V Schottky was selected for D1, since the slightly higher forward drop centers the 6.2 V and 30 V outputs.

Post-filterers (L1/C3, L2/C12 and R1/C5) reduce output noise and ripple to $< \pm 1\%$ of the respective output voltage. A soft-finish capacitor (C7) eliminates output turn-on overshoot.

Key Design Points

- The transformer is designed to operate in continuous mode for tight secondary cross-regulation.

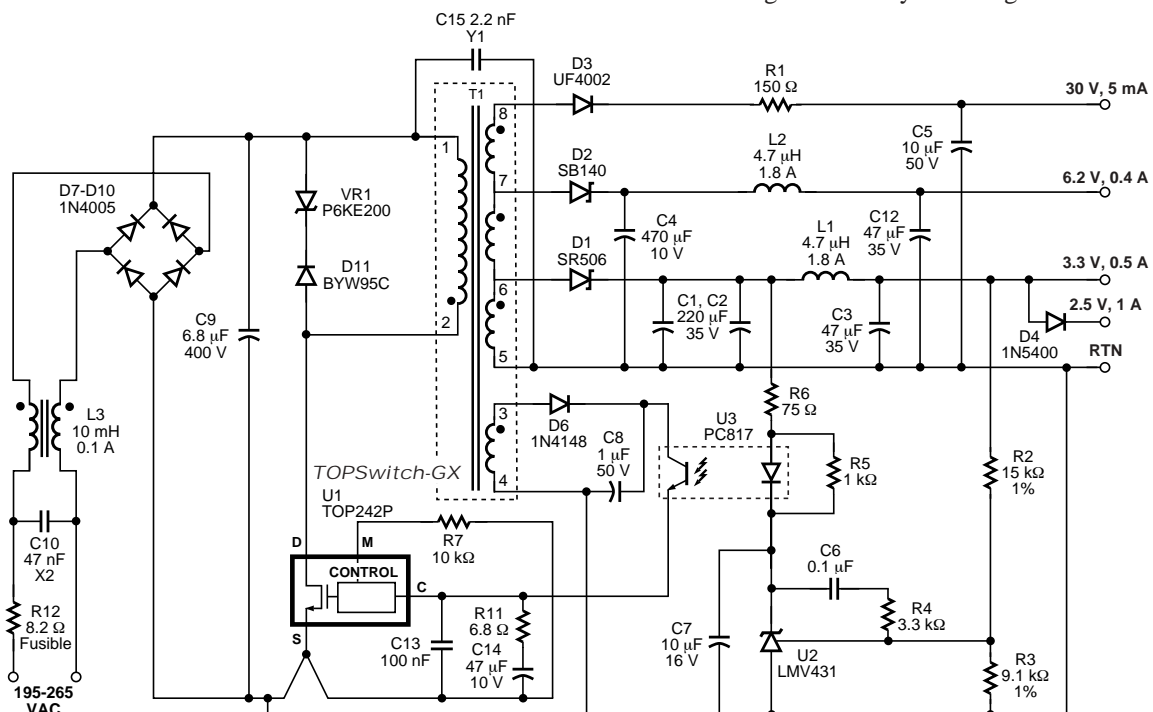


Figure 1. TOPSwitch-GX 7 W Multiple Output Supply for DVB-T.

PI-3023-0916102

- Safety Y1 capacitor C15 is connected between secondary return and primary DC rail to minimize noise coupling during AC common mode line transients.
- Good layout practices should be followed:
 - Locate C13, R11 and C14 close to U1, with grounds returned to the SOURCE pin.
 - Minimize the primary and secondary loop areas to reduce parasitic leakage inductance, improve EMI and cross-regulation.

TRANSFORMER PARAMETERS	
Core Material	EF16 gapped for 190 nH/T ²
Bobbin	EF16-8 pin
Winding Details	Primary: 105T, 35 AWG Bias: 17T, 35 AWG 3.3 V Secondary: 4T, 4 x 26 AWG T.I.W. 6.2 V Secondary: 3T, 26 AWG T.I.W. 30 V Secondary: 29T, 30 AWG T.I.W. (T.I.W. = Triple Insulated Wire)
Winding Order (Pin Numbers)	Primary (1-2), Tape, Bias (3-4), Tape, 3.3 V (5-6), 5 V (6-7), 30 V (7-8)
Inductance	Primary: 2.1 mH ± 10%, Leakage: 50 µH (max.)
Primary Resonant Frequency	650 kHz (minimum)

Table 1. Transformer Construction Information.

Voltage (V)	Load Range (%)	Regulation (%)												
		-10	-7	-4	-3	-2	-1	0	1	2	3	4	7	
2.5	10-100													
3.3	10-100													
6.2	10-100													
30	100													

Table 2. Worst Case Output Cross-Regulation-all Outputs Taken from Minimum to Maximum Load.

For the latest updates, visit our Web site: www.powerint.com

Power Integrations reserves the right to make changes to its products at any time to improve reliability or manufacturability. Power Integrations does not assume any liability arising from the use of any device or circuit described herein, nor does it convey any license under its patent rights or the rights of others. The products and applications illustrated herein may be covered by one or more U.S. and foreign patents or potentially by pending U.S. and foreign patent applications assigned to Power Integrations. A complete list of Power Integrations' patents may be found at www.powerint.com.

The PI Logo, TOPSwitch, TinySwitch and EcoSmart are registered trademarks of Power Integrations, Inc. PI Expert is a trademark of Power Integrations, Inc. ©Copyright 2002, Power Integrations, Inc.

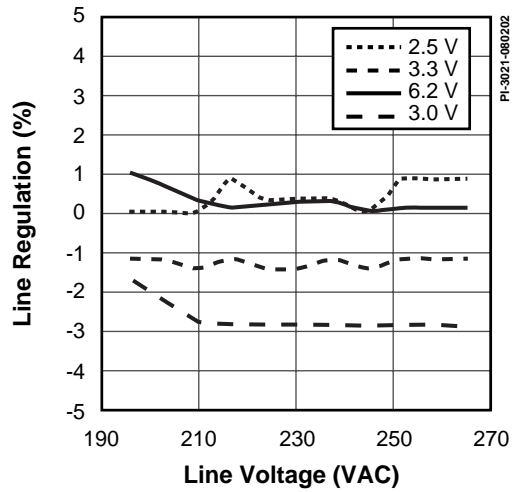


Figure 2. Full Power Line Regulation.

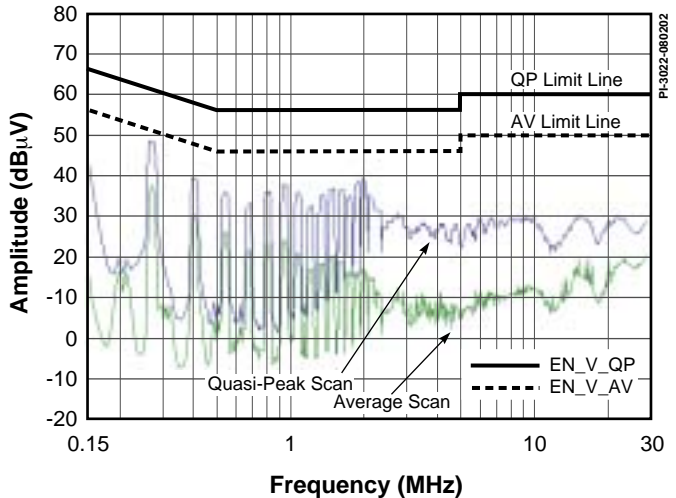


Figure 3. Conducted EMI, 230 VAC, Full Power, Output Earth Grounded.

WORLD HEADQUARTERS AMERICAS

Power Integrations, Inc.
San Jose, CA 95138 USA
Customer Service:
Phone: +1 408-414-9665
Fax: +1 408-414-9765
e-mail: usasales@powerint.com

CHINA

Power Integrations International Holdings, Inc.
China
Phone: +86-755-8367-5143
Fax: +86-755-8377-9610
e-mail: chinasales@powerint.com

EUROPE & AFRICA

Power Integrations (Europe) Ltd.
United Kingdom
Phone: +44-1344-462-300
Fax: +44-1344-311-732
e-mail: eurosales@powerint.com

KOREA

Power Integrations International Holdings, Inc.
Seoul, Korea
Phone: +82-2-782-2840
Fax: +82-2-782-4427
e-mail: koreasales@powerint.com

SINGAPORE

Power Integrations, Singapore
Republic of Singapore 308900
Phone: +65-6358-2160
Fax: +65-6358-2015
e-mail: singaporesales@powerint.com

JAPAN

Power Integrations, K.K.
Keihin-Tatemono 1st Bldg.
Japan
Phone: +81-45-471-1021
Fax: +81-45-471-3717
e-mail: japansales@powerint.com

APPLICATIONS HOTLINE

World Wide +1-408-414-9660

TAIWAN

Power Integrations International Holdings, Inc.
Taipei, Taiwan
Phone: +886-2-2727-1221
Fax: +886-2-2727-1223
e-mail: taiwansales@powerint.com

INDIA (Technical Support)

Innovatech
Bangalore, India
Phone: +91-80-226-6023
Fax: +91-80-228-9727
e-mail: indiasales@powerint.com

APPLICATIONS FAX

World Wide +1-408-414-9760

