

# Design Idea DI-22

## TOPSwitch-GX<sup>®</sup> 70 W, 19 V

### External Laptop Adapter



Application	Device	Power Output	Input Voltage	Output Voltage	Topology
Laptop Adapter	TOP249Y	70 W	85-265 VAC	19 V	Flyback

### Design Highlights

- High efficiency: 84% at 85 VAC (with 50 °C external ambient temperature)
- Low component count and high power density, 7 W/in.<sup>3</sup>
- Very compact design (4.1 in. × 2.225 in. × 1.06 in.)
- No surface mount components required
- Low zero load power consumption, <370 mW at 115 VAC
- Approximately constant overload power with line voltage
- Line undervoltage detection (UV) and overvoltage (OV) shutdown
- Low EMI - switching frequency jitter helps meet CISPR22B/EN55022B limits
- Fully protected for overload, short circuit and thermal faults

### Operation

The design utilizes a TOP249Y in a flyback converter providing a 70 W output in a sealed enclosure at an external ambient of 50 °C. Line UV and OV (100 V and 450 V, respectively) are implemented using a single 2 MΩ resistor (R1). Undervoltage eliminates power-up/down glitches and overvoltage provides line transient and long duration power system surge protection. Resistor R10 programs the internal current limit to 75% of nominal at the UV threshold. As a function of input voltage the current limit is further reduced by R9 to provide approximately constant overload power. The larger TOPSwitch-GX selection reduces conduction losses, raising efficiency (without circuit changes or increased overload power) and permits a higher inductance design for reduced primary RMS currents, further increasing efficiency.

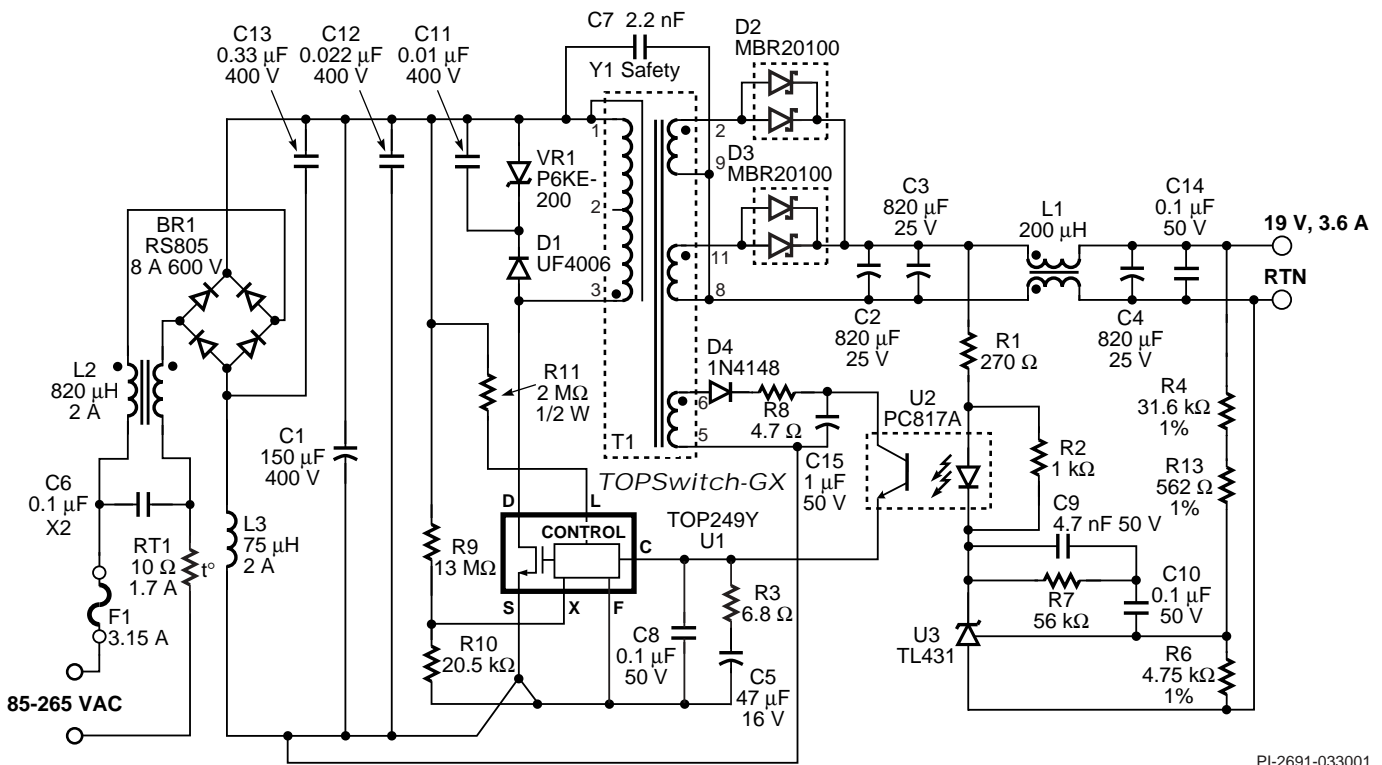


Figure 1. TOPSwitch-GX 70 W Laptop Adapter Schematic.

To reduce winding and diode dissipation the secondary is split into two windings and diode OR'ed into the output capacitors (C2, 3). Regulation is provided by a secondary side reference (U3), the output voltage sensed by R4, R13 and R6.

## Key Design Points

- D1 and VR1 clamp leakage inductance spikes. A Zener clamp provides lower zero load consumption than an RCD clamp and higher efficiency below full load.
- C11 reduces VR1 dissipation, raising efficiency.
- Additional differential filtering is provided by C13 and L3.
- C12 provides high frequency bypass, reducing high frequency EMI.
- Use foil windings to reduce dissipation and reduce leakage inductance.
- Sandwich secondary winding between two halves of primary to reduce leakage inductance.
- High core temperature reduces saturation flux density. Keep flux density below 3000 gauss (0.3 T) to prevent saturation.
- Use 100 V Schottky diodes for highest efficiency.
- Good layout practices should be followed:
  - Locate C8, R3, C5, R9, R10 and R11 close to U1.
  - Power and signal source currents should be separated, joined using a Kelvin connection at the SOURCE pin.
  - Minimize the primary and secondary loop areas to reduce parasitic leakage and EMI.
- Consult DAK-11 and EPR-11 for more information.

TRANSFORMER PARAMETERS	
Core Material	FPQ26/20-A TDK PC40 gapped for $A_{LE} = 843 \text{ nH/T}^2$
Bobbin	TDK BPQ26/20-1112CP
Winding Details	Primary: 9T + 9T, 2 x 26 AWG Shield: 1T, 8 mm x 0.015 mm Cu foil Secondary 1: 3T, 3 x 26 AWG T.I.W. Secondary 2: 3T, 3 x 26 AWG T.I.W. Bias: 2T, 8 mm x 0.015 mm Cu foil (T.I.W. = Triple Insulated Wire)
Winding Order (Pin Numbers)	Primary (2-1), Shield (1-NC), tape, Secondary 1 (12-9), Secondary 2 (11-8), Bias (6-5), tape, Primary (3-2), tape
Inductance	Primary: 273 $\mu\text{H} \pm 10\%$ , Leakge: 3 $\mu\text{H}$ (maximum)
Primary Resonant Frequency	1.5 MHz (minimum)

Table 1. Transformer Construction Information.

**For the latest updates, visit our Web site: [www.powerint.com](http://www.powerint.com)**

Power Integrations reserves the right to make changes to its products at any time to improve reliability or manufacturability. Power Integrations does not assume any liability arising from the use of any device or circuit described herein, nor does it convey any license under its patent rights or the rights of others.

The products and applications illustrated herein may be covered by one or more U.S. and foreign patents or potentially by pending U.S. and foreign patent applications assigned to Power Integrations. A complete list of Power Integrations' patents may be found at [www.powerint.com](http://www.powerint.com).

The PI Logo, *TOPSwitch*, *TinySwitch* and *EcoSmart* are registered trademarks of Power Integrations, Inc. *PI Expert* is a trademark of Power Integrations, Inc. ©Copyright 2002, Power Integrations, Inc.

### WORLD HEADQUARTERS AMERICAS

Power Integrations, Inc.  
San Jose, CA 95138 USA  
Customer Service:  
Phone: +1 408-414-9665  
Fax: +1 408-414-9765  
*e-mail: [usasales@powerint.com](mailto:usasales@powerint.com)*

### CHINA

Power Integrations International  
Holdings, Inc.  
China  
Phone: +86-755-8367-5143  
Fax: +86-755-8377-9610  
*e-mail: [chinasales@powerint.com](mailto:chinasales@powerint.com)*

### EUROPE & AFRICA

Power Integrations (Europe) Ltd.  
United Kingdom  
Phone: +44-1344-462-300  
Fax: +44-1344-311-732  
*e-mail: [eurosales@powerint.com](mailto:eurosales@powerint.com)*

### KOREA

Power Integrations  
International Holdings, Inc.  
Seoul, Korea  
Phone: +82-2-782-2840  
Fax: +82-2-782-4427  
*e-mail: [koreasales@powerint.com](mailto:koreasales@powerint.com)*

### SINGAPORE

Power Integrations, Singapore  
Republic of Singapore 308900  
Phone: +65-6358-2160  
Fax: +65-6358-2015  
*e-mail: [singaporesales@powerint.com](mailto:singaporesales@powerint.com)*

### JAPAN

Power Integrations, K.K.  
Keihin-Tatemono 1st Bldg.  
Japan  
Phone: +81-45-471-1021  
Fax: +81-45-471-3717  
*e-mail: [japansales@powerint.com](mailto:japansales@powerint.com)*

### APPLICATIONS HOTLINE

World Wide +1-408-414-9660

### TAIWAN

Power Integrations  
International Holdings, Inc.  
Taipei, Taiwan  
Phone: +886-2-2727-1221  
Fax: +886-2-2727-1223  
*e-mail: [taiwansales@powerint.com](mailto:taiwansales@powerint.com)*

### INDIA (Technical Support)

Innovatech  
Bangalore, India  
Phone: +91-80-226-6023  
Fax: +91-80-228-9727  
*e-mail: [indiasales@powerint.com](mailto:indiasales@powerint.com)*

### APPLICATIONS FAX

World Wide +1-408-414-9760

