

FEATURES

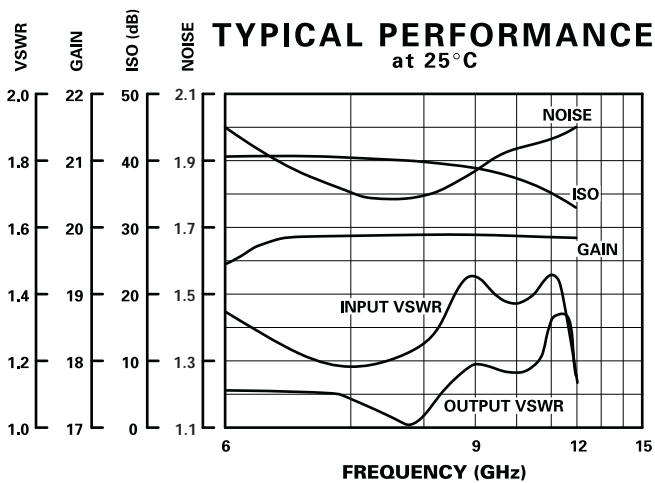
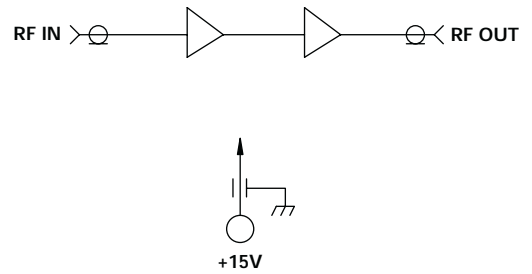
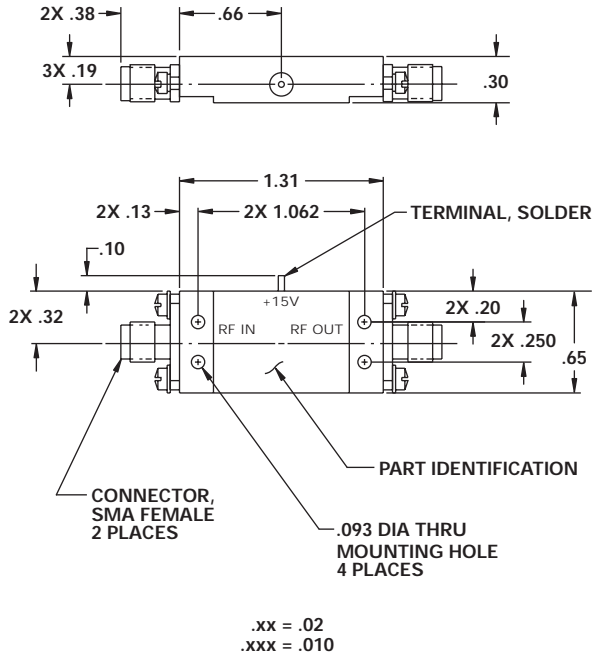
- 6 - 12 GHz
- 2.0 dB Noise Figure Max
- 18 dB Gain Minimum
- Removable SMA Connectors

LNA



**MODEL NO.
DAML6278**

Broadband LNA



GUARANTEED PERFORMANCE

Parameter	Min	Typ	Max	Units	Conditions
Operating Frequency	6		12	GHz	
DC Current		100		mA	At +15 VDC Supply
Gain	18.5	19.5		dB	
Isolation (S12)	30	33		dB	
Noise Figure		1.9	2.1	dB	
VSWR In /Out		1.5/1	1.8/1		
Impedance		50		Ohms	
Intercept Points	2nd	31		dBm	
	3rd	21		dBm	
RF Power	Output	+11	+13	dBm	1dB Compression
	Input	+20		dBm	
Operating Temperature	-40	+25	+85	°C	TA