

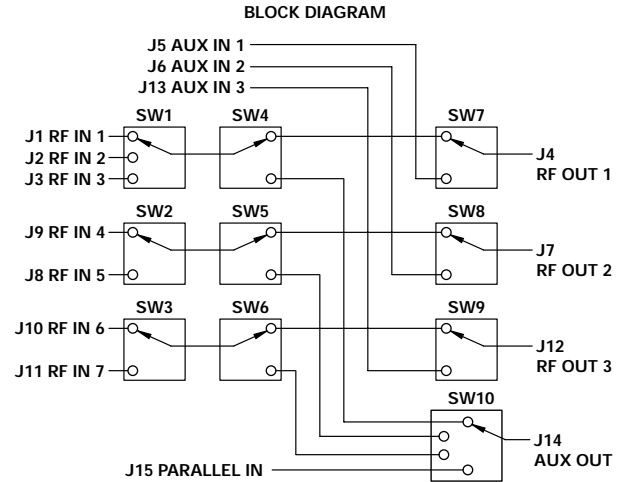
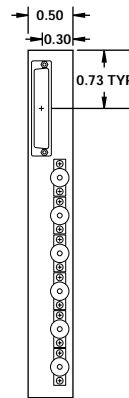
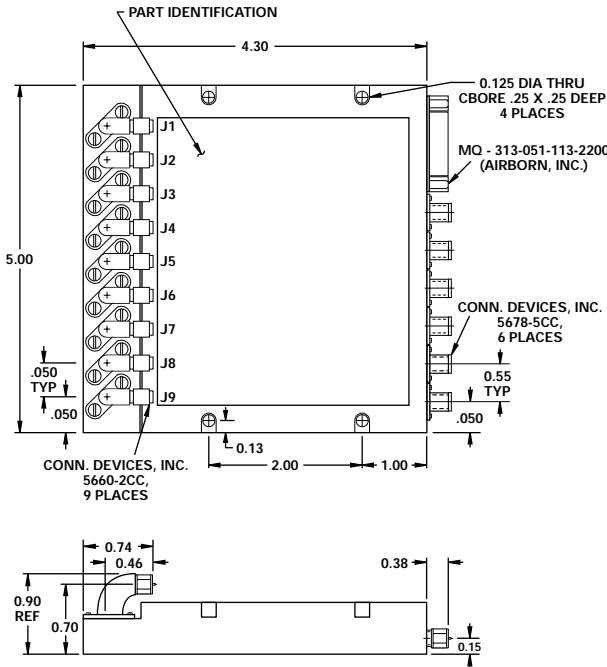
## FEATURES

- 20 - 1000 MHz
- +90 dBm 2nd Order Intercept Point
- +50 dBm 3rd Order Intercept Point
- High Isolation
- TTL Drivers
- Replaceable SMA Connectors



MODEL NO.  
CSWX6152

## PIN Diode RF Switch Matrix



## GUARANTEED PERFORMANCE

Parameter	Min	Typ	Max	Units	Conditions
Operating Frequency	20		1000	MHz	
DC Current		95 275	600 300	mA	At +5 VDC Supply At -5 VDC Supply
Control Type		CMOS			6 Line Control
Control Current	High Low			$\mu$ A $\mu$ A	$V_{IH} = +5V$ $V_{IL} = +0V$
Insertion Loss		2.5 1.0 2.3 1.0	3.5 1.3 3.5 1.3	dB	RF IN to RF OUT Path AUX IN to RF OUT Path RF IN to AUX OUT PARALLEL IN to AUX OUT
Isolation: RF IN to RF OUT Path	50	55		dB	On - Off Isolation (Except RF IN1 and RF IN4)
AUX IN to RF OUT Path	60	80		dB	Channel to Channel Isolation
RF IN to AUX OUT	100	105		dB	On - Off Isolation (For RF IN1 and RF IN4)
PARALLEL IN to AUX OUT	35	50		dB	On - Off Isolation
	30	53		dB	On - Off Isolation
	30	45		dB	On - Off Isolation
VSWR	Thru Termination	1.25/1 1.25/1	1.5/1 1.5/1		RF IN and AUX IN Only
Impedance		50		OHMS	
Switching Speed		2.5	5	$\mu$ Sec	50% TTL to 90% / 10% RF
Transition (Rise/Fall) Time				nSec	10% / 90% to 90% / 10% RF
Switching (Video) Transients				mV	Peak Value
Intercept Points	2nd 3rd	+60 +35	+90 +50	dBm	70 MHz / 50 MHz 35 MHz / 50 MHz
RF Power	Operate No Damage		+20	dBm	1.0 dB Compression
Operating Temperature		-20	+25 +85	$^{\circ}$ C	TA

## TYPICAL PERFORMANCE at 25 $^{\circ}$ C

