

1 2 3 4 5 6

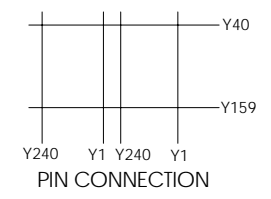
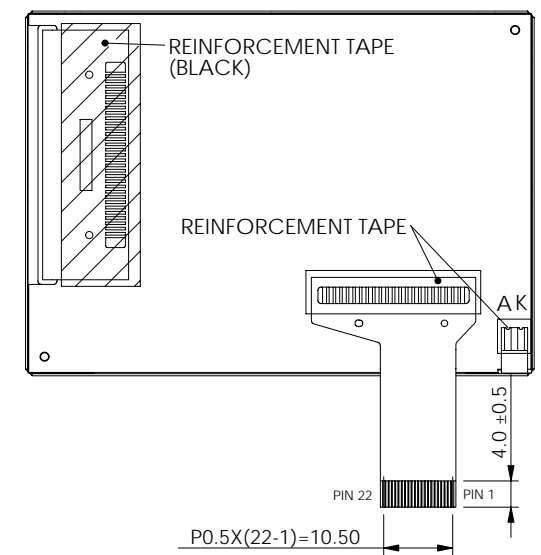
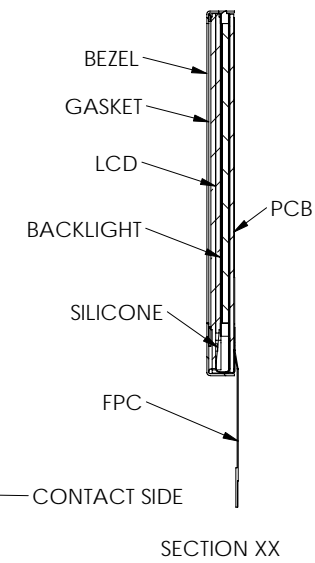
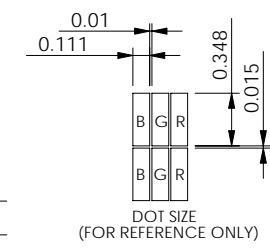
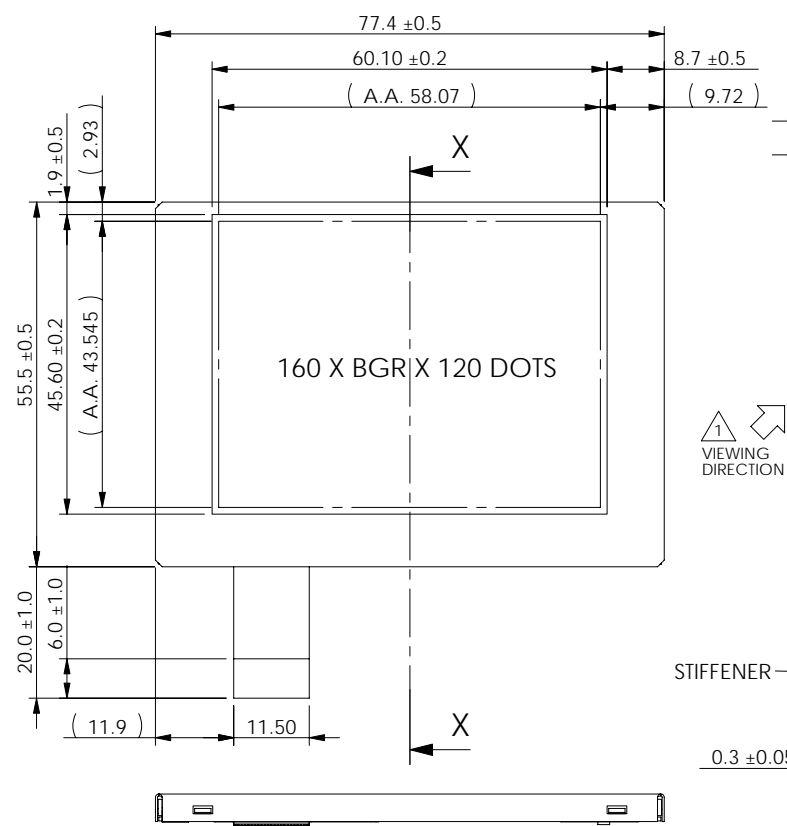
ISSUE	AMENDMENT	DATE
1	CHANGE VIEWING DIRECTION	06.02.06

A

B

C

D



PIN ASSIGNMENT

1	2	3	4	5	6	7	8	9	10	11
VDD	VSS	XCK	FR	LP1	LP2	FLM	/DISPOFF	V0	V1	V2
12	13	14	15	16	17	18	19	20	21	22
V3	V4	D0	D1	D2	D3	D4	D5	D6	D7	NC

NOTES:

- 1 ◇ : SPECIAL CHARACTERISTIC
- 2 + : SAFETY CHARACTERISTIC
- 3 ▽ : CRITICAL DIMENSION
- 4 (..) : REFERENCE DIMENSION

DISPLAY TYPE	4K 2.86" COLOR STN, -VE, TRANSFLECTIVE
DISPLAY RESOLUTION	160 X BGR X 120 DOTS
VIEWING ANGLE	6 O' CLOCK
MUX RATIO AND BIAS RATIO	1/120 DUTY, 1/12 BIAS
LCD DRIVER	ST8024 X 2 (COG) + ST8016 (TAB)
LOGIC VOLTAGE	3V
LCD DRIVING VOLTAGE	TBD
OPERATING TEMPERATURE	0°C TO +50°C
STORAGE TEMPERATURE	-20°C TO +60°C
BACKLIGHT	LED05 WHITE



VARITRONIX LIMITED

THE DRAWING ON THIS PRINT AND INFORMATION THEREWITH ARE PROPRIETARY TO VARITRONIX AND SHALL NOT BE USED IN WHOLE OR IN PART WITHOUT WRITTEN PERMISSION OF VARITRONIX.

TITLE: MODULE SPEC			
PROJECT NO: COG-C286FVJ			
CUSTOMER REF: N/A			
TOLERANCE UNLESS OTHERWISE SPECIFIED:		X.X±0.3 X.XX±0.1	
DIMENSIONS IN MM		ANGULAR: ±1°	
MATERIAL: N/A		FINISH: SEE NOTES	
SCALE: DO NOT ON SCALE		OVERALL THK: SEE DRAWING	
THIRD ANGLE PROJECTION			
	NAME	SIGN	DATE
DRAWN:	SAMUEL		06.02.06
CHECKED:	LIU ZHI QIANG		
APPROVED:	YL LAW		
ITEM NO.: COG-C286FVJ-01			
DESCRIPTION: COG-C286FVJ-01 (RoHS)			
FILE NO: COG-C286FVJ-01			REV: 1
SHEET	1	OF	1

1 2 3 4 5 6