



CMSD7000

**SUPER-MINI
DUAL SILICON SWITCHING DIODE
SERIES CONNECTION**

**SUPERTM
mini**



SOT-323 CASE

**CentralTM
Semiconductor Corp.**

DESCRIPTION

The CENTRAL SEMICONDUCTOR CMSD7000 type is a ultra-high speed silicon switching diodes manufactured by the epitaxial planar process, in an epoxy molded super-mini surface mount package, connected in a series configuration, designed for high speed switching applications.

Marking Code is 5CC.

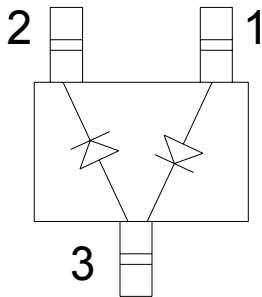
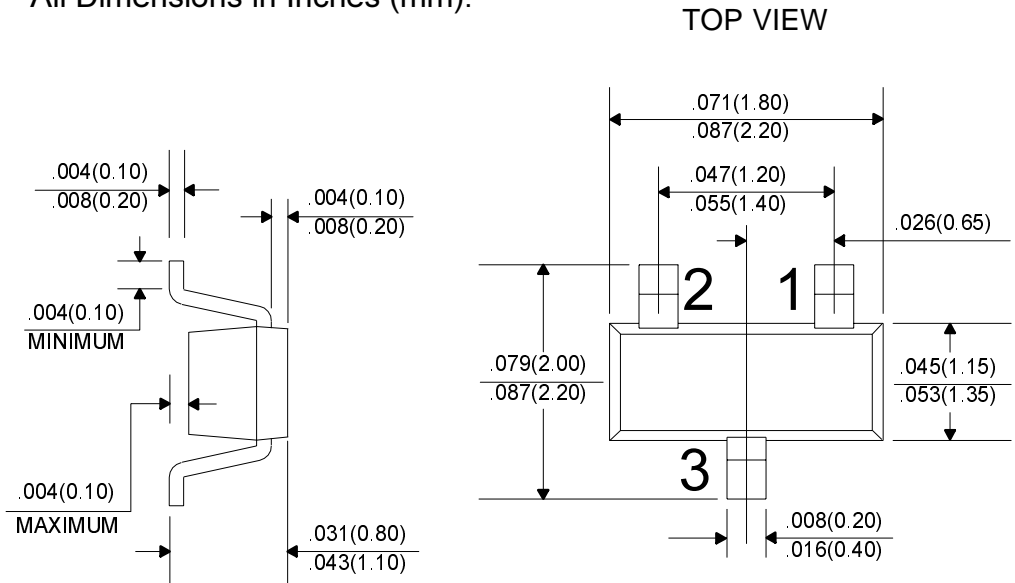
MAXIMUM RATINGS (T_A=25°C)

	SYMBOL		UNITS
Peak Repetitive Reverse Voltage	V _{RRM}	100	V
Average Forward Current	I _O	200	mA
Peak Forward Current	I _{FM}	500	mA
Power Dissipation	P _D	250	mW
Operating and Storage Junction Temperature	T _J , T _{stg}	-65 to +150	
°C			
Thermal Resistance	Θ _{JA}	500	°C/W

ELECTRICAL CHARACTERISTICS (T_A=25°C unless otherwise noted)

SYMBOL	TEST CONDITIONS	MIN	TYP	MAX	UNITS
BV _R	I _R =100μA	100			V
I _R	V _R =50V			300	nA
I _R	V _R =50V, T _A =125°C			100	μA
I _R	V _R =100V			500	nA
V _F	I _F =1.0mA	0.55		0.70	V
V _F	I _F =10mA	0.67		0.82	V
V _F	I _F =100mA	0.75		1.10	V
C _T	V _R =0, f=1 MHz			1.5	pF
t _{rr}	I _R =I _F =10mA, R _L =100Ω, Rec. to 1.0mA		2.0	4.0	ns

All Dimensions in Inches (mm).



Lead Code:

- 1) Anode 2
- 2) Cathode 1
- 3) Anode 1, Cathode 2