

CFPX-56 SMD Cylinder Crystals

ISSUE 1; 1 SEPTEMBER 2001

Delivery Options

- Please contact our sales office for current leadtimes

Description

- 2 x 6 SMD Cylinder Crystal (pre-formed legs)

General Specification

- Load Capacitance (C_L): 12.5pF standard
- Drive Level: 1.0μW max

Standard Frequency Tolerance

- ±20ppm

Operating Temperature Range

- -10 to 60°C

Ageing

- ±5ppm max in 1st year

Environmental Tests

- Shock Test: Dropping from 75cm height to a wooden plate 3 times. Frequency variation <±5ppm. ESR variation <±10%
- High Temperature Storage Test: +85°C for 24 hours. Frequency variation <±5ppm. ESR variation <±10%

Solder Condition

- For typical soldering conditions, please see the relevant page in Application Notes

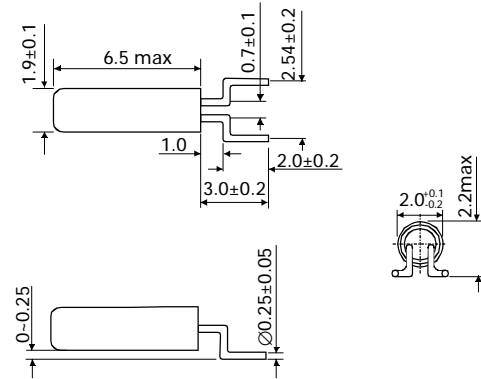
Packaging

- CFPX-56 surface mount crystals are available packaged on trays or on tape and reel

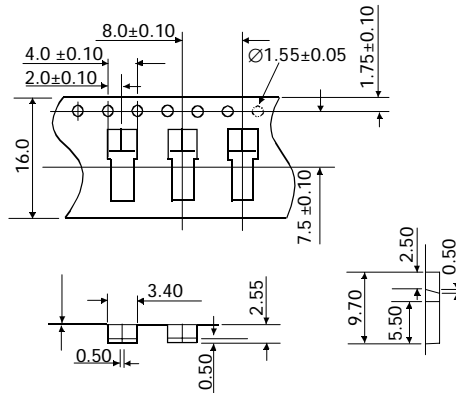
Marking

- Frequency only

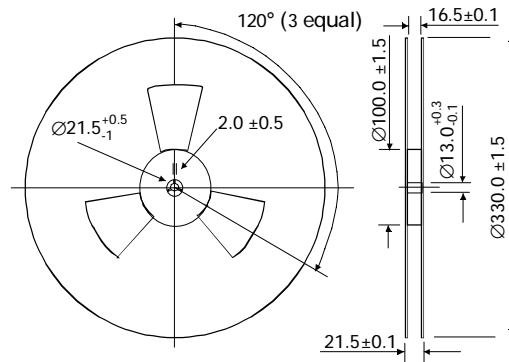
Outline in mm



Outline in mm - Tape



Outline in mm - Reel



Electrical Specification – maximum limiting values

Frequency Range	Frequency Tolerance @ 25°C ±2°C	Operating Temperature Range	Frequency Stability Available Over Operating Temperature		ESR max.	Vibration Mode
			Minimum	Maximum		
32.7680kHz	±20ppm	0 to 50°C	-25ppm	-100ppm	40kΩ	Fundamental X cut
		-10 to 60°C	-50ppm	-100ppm		

SURFACE MOUNT
QUARTZ CRYSTALS