

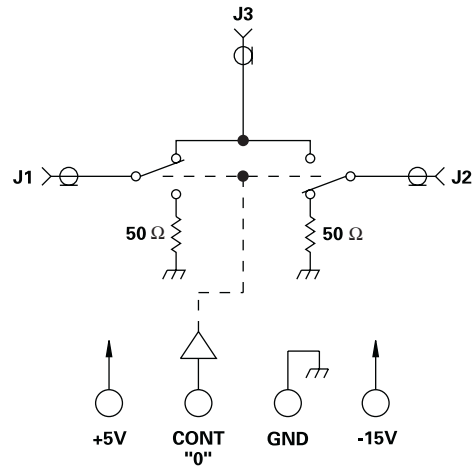
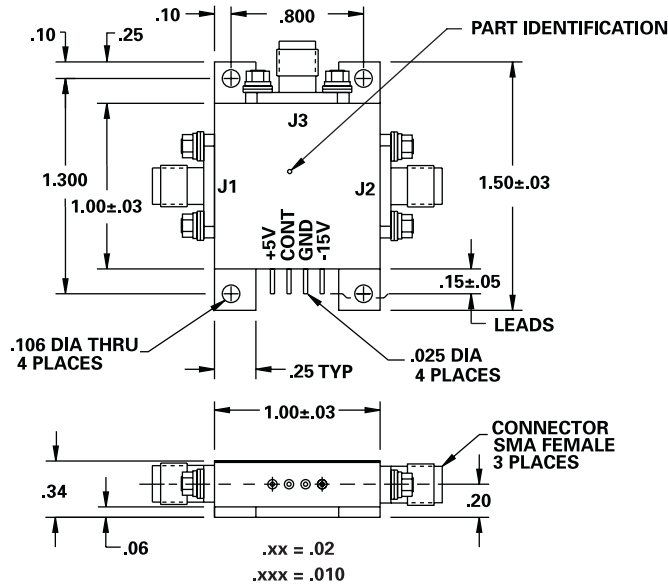
MODEL NUMBER CDS0912

PIN Diode SP2T

FEATURES

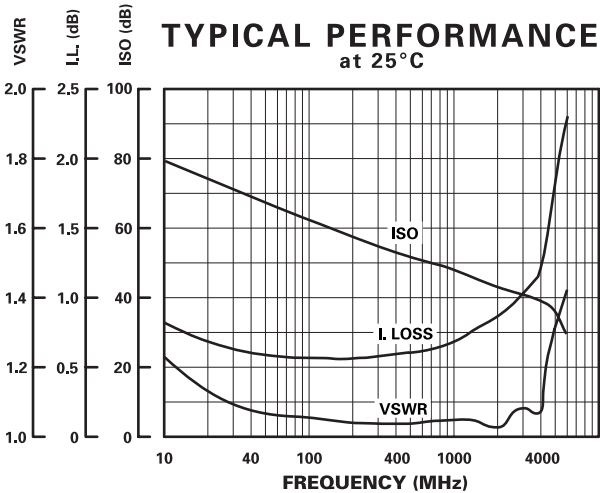
- 20-4000 MHz
- < 1 dB Insertion Loss up to 3 GHz
- TTL Driver
- Non-Reflective
- Replaceable SMA Connectors

SP2T



GUARANTEED PERFORMANCE

Parameter	Min	Typ	Max	Units	Conditions
Operating Frequency	20		4000	MHz	
DC Current		13	20	mA	At +5 VDC Supply
		15	20	mA	At -15 VDC Supply
Control Type		TTL			1 Line Logic "0" = J1 - J3 Logic "1" = J2 - J3
Control Current	High Low	10 10	±40 ±40	µA	V _{IH} = +2.7V V _{IL} = +0.5V
Insertion Loss		1.3	1.7	dB	
Insertion Loss Flatness		0.7	±1	dB	
Amplitude Balance		0.1	±0.5	dB	
Isolation		42 36 30	52 46 40	dB	20 - 1000 MHz 1000 - 2000 MHz 2000 - 4000 MHz
VSWR	Thru Termination	1.2/1 1.2/1	1.5/1 1.5/1		
Impedance		50		OHMS	
Switching Speed		3	10	µSEC	50% TTL to 90% / 10% RF
Transition (Rise/Fall) Time		0.5		µSEC	90% / 10% or 10% / 90% RF
Switching (Video) Transients		0.5		V	Peak Value
Intercept Points	2nd 3rd	+60 +37	+82 +46	dBm	70 MHz / 50 MHz 35 MHz / 50 MHz
RF Power	Operate No Damage	+20 +23	+15 +20 +30	dBm	0.1 dB Comp. Below 100 MHz 0.1 dB Comp. Above 100 MHz
Operating Temperature		-55	+25	+125	°C TA



DAICO Industries

310.507.3242 • FAX 310.507.5701 • www.daico.com