

INTEGRATED CONNECTOR MODULES

C893-1AX1-E1 10/100Base-TX MagJack® with LEDs

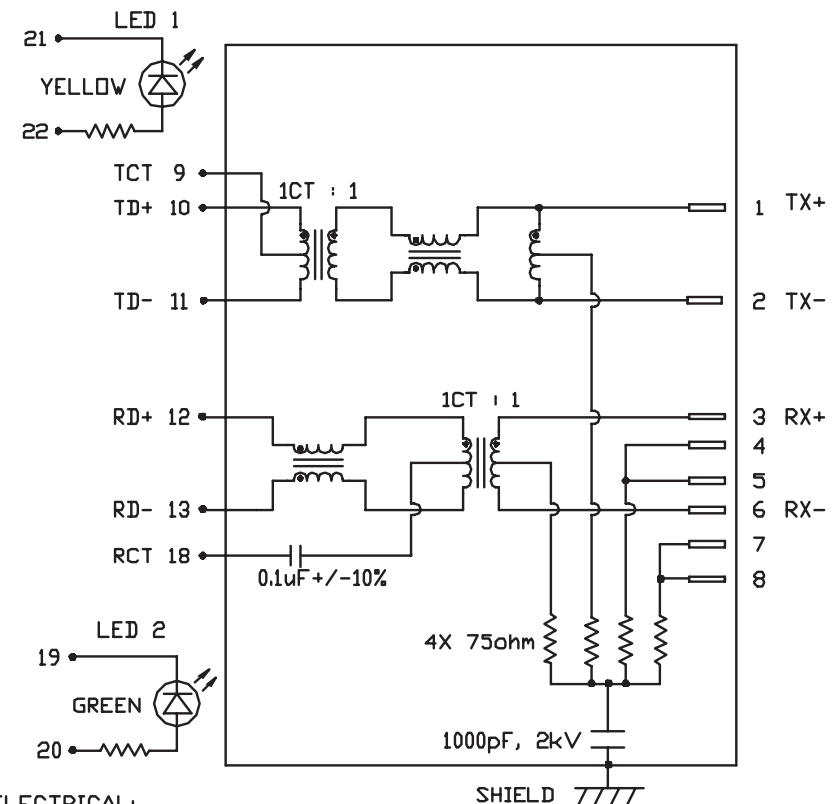


LED2 POLARITY			LED1 POLARITY		
PIN 19	PIN 20	COLOR	PIN 21	PIN 22	COLOR
-	+	GREEN	-	+	YELLOW

ELECTRICAL CHARACTERISTICS @ 25°C

URNS RATIO	
TX	1CT : 1CT ±3%
RX	1CT : 1CT ±3%
CL @ 100kHz, 100mVRMS	
8mA DC BIAS	350uH MIN
INS. LOSS	
100KHZ TO 100MHZ	-1.0 dB MAX
RET. LOSS (MIN)	
1MHZ-30MHZ	-20 dB
30MHZ-60MHZ	-[19-20LOG(F/30MHZ)] dB
60MHZ-80MHZ	-12 dB
CM TO CM REJ	
100kHz - 100MHZ	-30 dB MIN
100MHZ - 130MHZ	-20 dB MIN
CROSS TALK	
1MHZ - 65MHZ	-35 dB MIN
65MHZ - 100MHZ	-30 dB MIN
HIPOT (Isolation Voltage):	
	1500 Vrms
LEAKAGE INDUCTANCE	
PRIMARY W/ SECONDARY	0.3uH Max. @ 1MHz
INTERWINDING CAPACITANCE	
PER CHANNEL (PRI. TO SEC.)	30pF Max @ 1MHz
DC RESISTANCE	
(RJ1-RJ2)=(RJ3-RJ6)	1.2 ohms Max

LED 1			
V _F (FORWARD VOLTAGE)	I _F =20mA	YELLOW	2.1V TYP.
λ _D (DOMINANT WAVELENGTH)	I _F =20mA	YELLOW	590nm TYP.
LED 2			
V _F (FORWARD VOLTAGE)	I _F =20mA	GREEN	2.2V TYP.
λ _D (DOMINANT WAVELENGTH)	I _F =20mA	GREEN	565nm TYP.



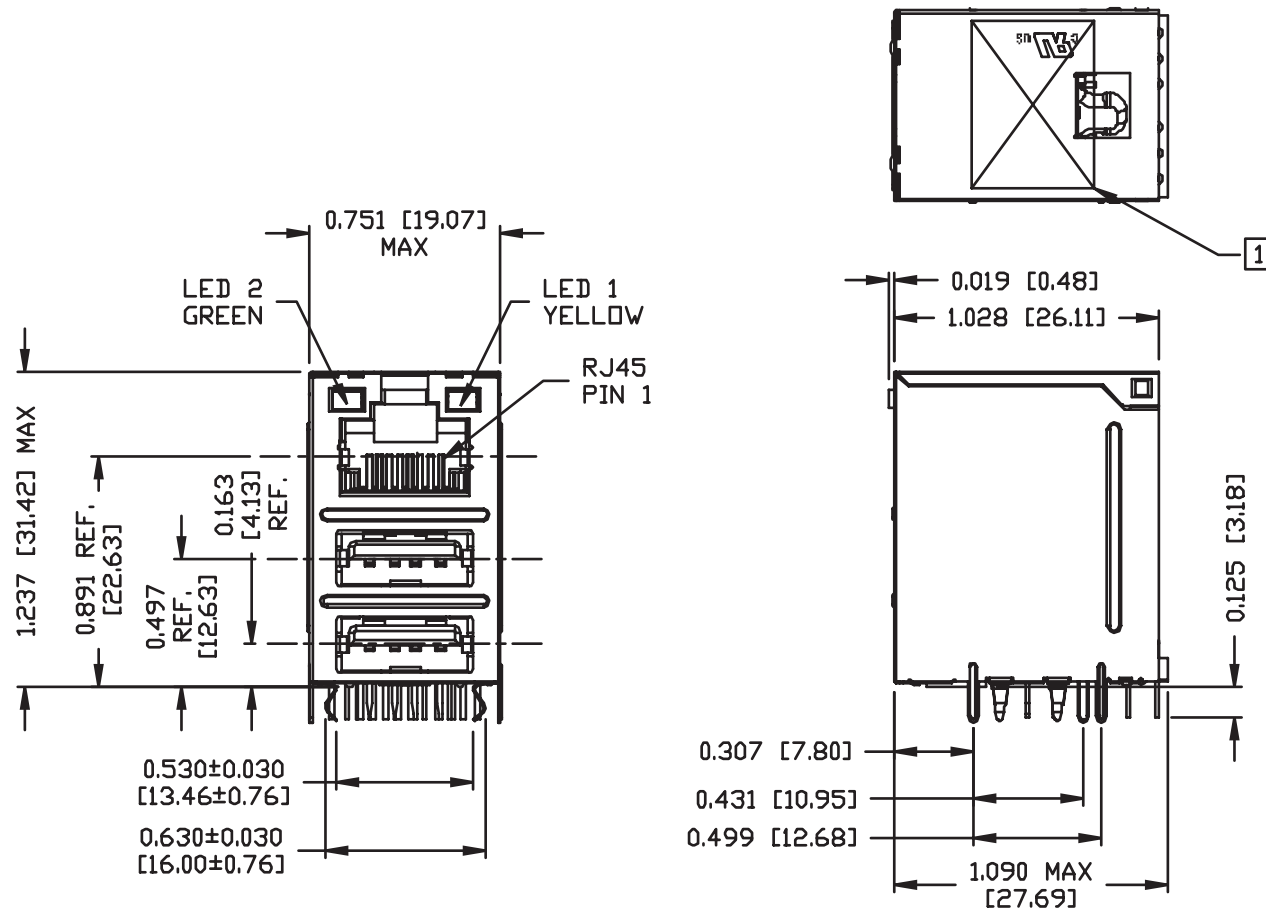
USB ELECTRICAL:	
INSULATION RESISTANCE:	1000 MEG Ω (MIN)
CONTACT RESISTANCE:	25 MILLI Ω (MAX)
DIELECTRIC WITHSTANDING:	750 VAC

INTEGRATED CONNECTOR MODULES

C893-1AX1-E1 10/100Base-TX MagJack® with LEDs



MECHANICAL SPECIFICATION

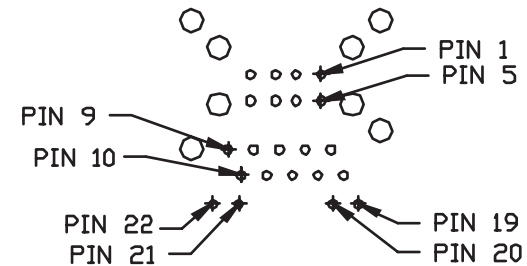
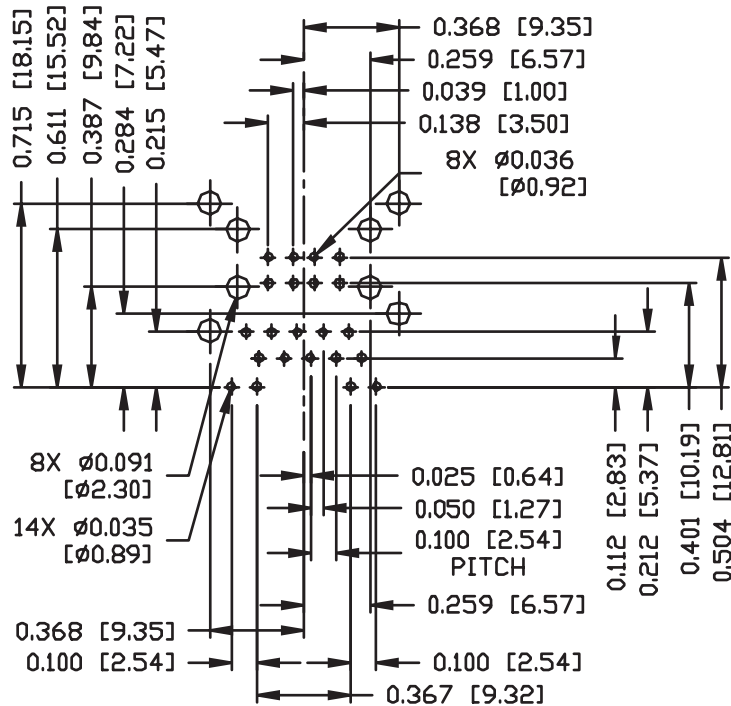


INTEGRATED CONNECTOR MODULES

C893-1AX1-E1 10/100Base-TX MagJack® with LEDs



Recommended PCB footprint
Component Side



RJ45 MECHANICAL

PLASTIC HOUSING:

CONTACTS PLATING:

PINS:

METAL SHIELD:

USB MECHANICAL:

MATING FORCE:

UNMATING FORCE:

CONTACTS PLATING:

THERMOPLASTIC PBT

FLAMMABILITY RATING UL 94V-0

50 MICRO-INCH HARD GOLD PLATING

TIN-COATED CP WIRE, DIA 0.018 INCH.

TIN PLATED ON COPPER ALLOY,

35 NEWTONS MAXIMUM

10 NEWTONS MINIMUM

PROSPHER BRONZE, GOLD PLATING ON CONTACT AREA AND TIN ON SOLDER TAIL.

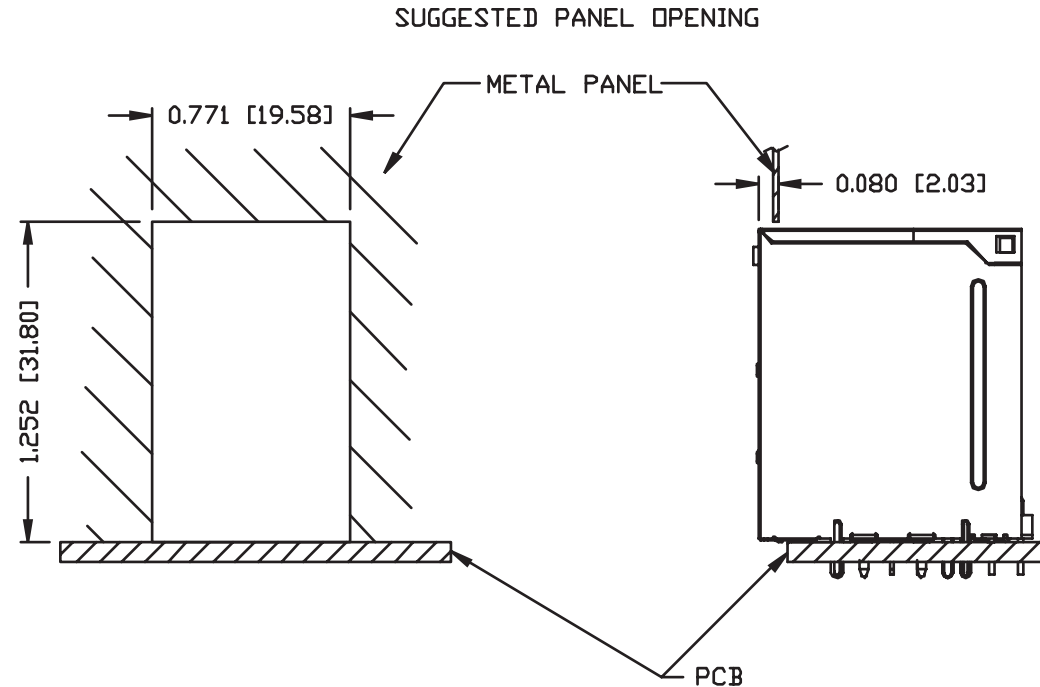
US UL RECOGNIZED - FILE #E196366 AND E169987.

RoHS COMPLIANCE, PER EU DIRECTIVE 2002/95/EC.

[1] MARK PART WITH MFG LOGO, MFG NAME, PART NUMBER, AND DATE CODE.

INTEGRATED CONNECTOR MODULES

C893-1AX1-E1 10/100Base-TX MagJack® with LEDs



NOTE:

THE DISTANCE OF PANEL INSIDE SURFACE RELATIVE TO FRONT SURFACE OF PART IS ONLY A SUGGESTION. IN CASE THIS DISTANCE IS DIFFERENT, THE REQUIRED PANEL OPENING DIMENSIONS CHANGE ACCORDINGLY.

PACKING INFORMATION

PACKING TRAY : 0200-9999-H3 (TOP)
0200-9999-H4 (BOTTOM)

PACKING QUANTITY : 35 PCS FINISHED GOODS PER TRAY
10 TRAY (350 PCS FINISHED GOODS) PER CARTON BOX

NOTE : CARDBOARDS ARE PLACED BETWEEN LAYERS OF PACKING TRAY INSIDE CARTON BOX
(INCLUDE THE UPPERMOST AND LOWERMOST TRAY)