



## Capacitors for Power Factor Correction

**Series/Type:**        **MKK-525-I-18,6-01**

The following products presented in this data sheet are being withdrawn.

Ordering Code	Substitute Product	Date of Withdrawal	Deadline Last Orders	Last Shipments
B25667A5217A175		2004-07-30		

For further information please contact your nearest EPCOS sales office, which will also support you in selecting a suitable substitute. The addresses of our worldwide sales network are presented at [www.epcos.com/sales](http://www.epcos.com/sales).

**Characteristics**

$C_N$	1x 215 $\mu$ F $\pm$ 5 %	
$U_N$	AC 525 V	
$f_N$	50 Hz	60 Hz
$Q_N$	18,6 kvar	22,3 kvar
$I_N$	1x 36 A	43 A

$\tan \delta_0$  0,2 W/kvar (dielectric)

**Maximum ratings**

$U_{max}$	AC 580 V, 8 h daily AC 680 V, 1 min
$I_{r(40)}$	1x 55 A ( $\Theta_A = 40^\circ\text{C}$ , $U_N$ )
$I_s$	8600 A
$(du/dt)_{max}$	16 V/ $\mu$ s
$(du/dt)_s$	40 V/ $\mu$ s

**Test data**

$U_{TT}$	AC 1150 V, 10 s
$U_{TC}$	AC 3000 V, 10 s

$\tan \delta$  (50 Hz)  $\leq$  0,5 W/kvar (total)

**Climatic category -40/D**

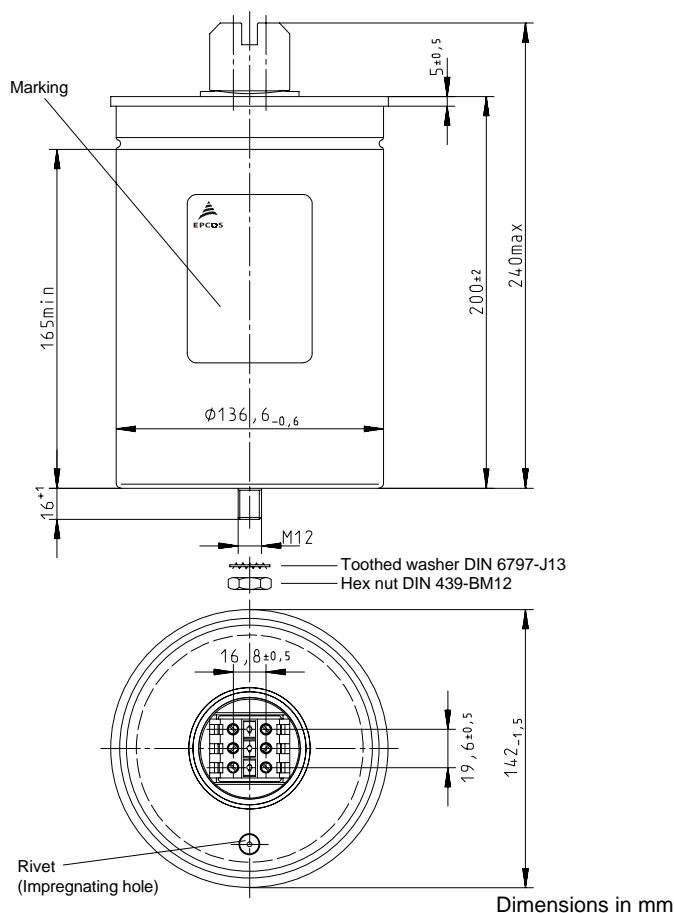
$\Theta_{min}$	-40 °C
$\Theta_{max}$	+55 °C
Humidity	Max. relative Humidity $\leq$ 95 %
$\Theta_{stg}$	-55 bis +70 °C

**Life expectancy**

$t_{LD}$	100 000 h
----------	-----------

**Remarks**

Natural cooling



**Design data**

Dimensions $\phi$ x l	142 x 200 mm (5,59 x 7,87 in)
Approx. weight	2 kg (4,4 lb)
Impregnation	Gas
Fixing	Threaded bolt M12
Mounting hole	14 mm (0,55 in)
Max. torque	10 Nm
Terminals	Isolated terminal, IP20
Max. torque	1,2 Nm
Terminal cross section	16 mm <sup>2</sup> (5 AWG)
Creepage distance	12,7 mm (0,50 in)
Clearance	9,6 mm (0,38 in)
Overpressure disconnecter	
Any mounting position possible	