

**FEATURES**

- InGaP HBT Technology
- High Efficiency:
  - 38% at +28 dBm
  - 20% at +16 dBm
  - 1.5% at 0 dBm
- Low Quiescent Current: 20 mA
- Low Leakage Current in Shutdown Mode: <1  $\mu$ A
- $V_{REF} = +2.85$  V (+2.7 V min over temp)
- Low Profile Surface Mount Package: 1.56mm Max
- CDMA 1XRTT and 1xEV-DO Compliant

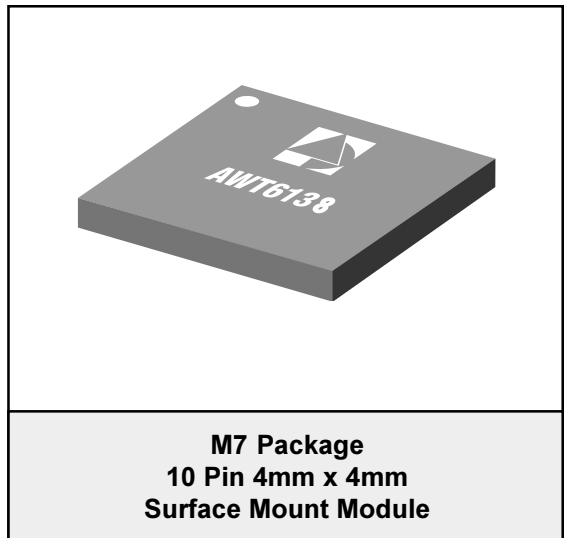
**APPLICATIONS**

- PCS CDMA Wireless Handsets
- Dual Band CDMA Wireless Handsets

**PRODUCT DESCRIPTION**

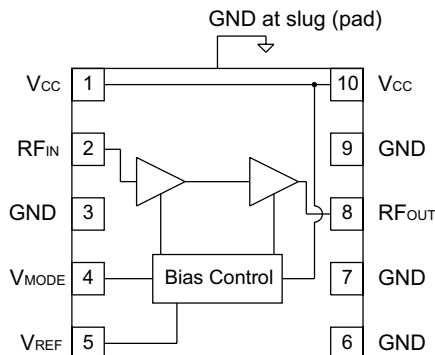
The AWT6138 PCS CDMA Power Amplifier is a high performance CDMA2000/ 1XRTT amplifier designed specifically for PCS wireless applications. This rugged, easy to use InGaP HBT design delivers state of the art efficiency and temperature stability with very low DC power consumption. The AWT6138 PA module has the lowest CDG currents available to handset manufacturers today.

A combination of low idle current and mode switching enables the AWT6138 to deliver unparalleled CDMA average power efficiencies. This bias feature allows the AWT6138 to significantly increase the battery usage time of a mobile



handset. The device has mode-switching to take advantage of its high efficiency operation over a wide range of output powers. Higher low power efficiency is achieved without an external DAC or DC-DC converter. The integrated power amplifier module employs a proprietary bias control and temperature compensation circuit that assures stable operation, even at extreme temperature conditions.

The self contained 4mm x 4mm surface mount package incorporates matching networks optimized for output power, efficiency and linearity in a 50[ohm] system making it easy to incorporate the device into BOTH new and existing designs.



**Figure 1: Block Diagram**

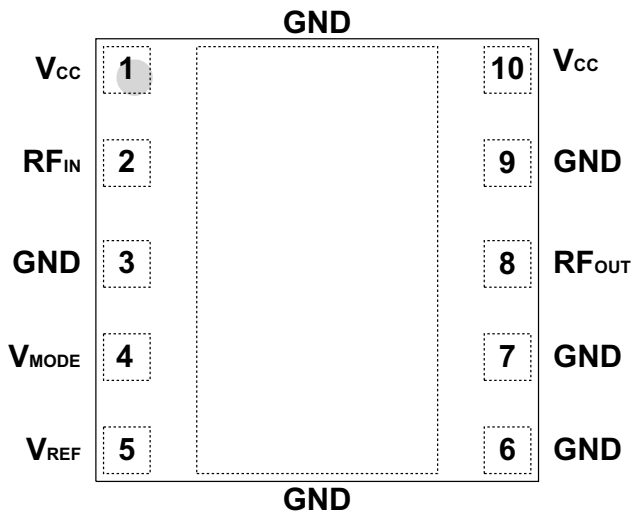


Figure 2: Pinout (X-ray Top View)

Table 1: Pin Description

| PIN | NAME       | DESCRIPTION          |
|-----|------------|----------------------|
| 1   | $V_{CC}$   | Supply Voltage       |
| 2   | $RF_{IN}$  | RF Input             |
| 3   | <b>GND</b> | Ground               |
| 4   | $V_{MODE}$ | Mode Control Voltage |
| 5   | $V_{REF}$  | Reference Voltage    |
| 6   | <b>GND</b> | Ground               |
| 7   | <b>GND</b> | Ground               |
| 8   | $RF_{OUT}$ | RF Output            |
| 9   | <b>GND</b> | Ground               |
| 10  | $V_{CC}$   | Supply Voltage       |

## ELECTRICAL CHARACTERISTICS

Table 2: Absolute Minimum and Maximum Ratings

| PARAMETER                           | MIN | MAX  | UNIT |
|-------------------------------------|-----|------|------|
| Supply Voltage ( $V_{CC}$ )         | 0   | +5   | V    |
| Mode Control Voltage ( $V_{MODE}$ ) | 0   | +3.5 | V    |
| Reference Voltage ( $V_{REF}$ )     | 0   | +3.5 | V    |
| RF Input Power ( $P_{IN}$ )         | -   | +10  | dBm  |
| Storage Temperature ( $T_{STG}$ )   | -40 | +150 | °C   |

Stresses in excess of the absolute ratings may cause permanent damage. Functional operation is not implied under these conditions. Exposure to absolute ratings for extended periods of time may adversely affect reliability.

Table 3: Operating Ranges

| PARAMETER                           | MIN                  | TYP        | MAX           | UNIT | COMMENTS                        |
|-------------------------------------|----------------------|------------|---------------|------|---------------------------------|
| Operating Frequency (f)             | 1850                 | -          | 1910          | MHz  |                                 |
| Supply Voltage ( $V_{CC}$ )         | +3.2                 | +3.4       | +4.2          | V    |                                 |
| Reference Voltage ( $V_{REF}$ )     | +2.7<br>0            | +2.85<br>- | +2.95<br>+0.5 | V    | PA "on"<br>PA "shut down"       |
| Mode Control Voltage ( $V_{MODE}$ ) | +2.5<br>0            | +2.8<br>-  | +3.1<br>+0.5  | V    | Low Bias Mode<br>High Bias Mode |
| RF Output Power ( $P_{OUT}$ )       | +27.5 <sup>(1)</sup> | +28.0      | -             | dBm  |                                 |
| Case Temperature ( $T_C$ )          | -30                  | -          | +85           | °C   |                                 |

The device may be operated safely over these conditions; however, parametric performance is guaranteed only over the conditions defined in the electrical specifications.

## Notes:

(1) For operation at  $T_C = +85\text{ °C}$  and  $V_{CC} = +3.2\text{ V}$ ,  $P_{OUT}$  is derated by 0.5 dB.

**Table 4: Electrical Specifications**  
 (T<sub>C</sub> = +25 °C, V<sub>CC</sub> = +3.4 V, V<sub>REF</sub> = +2.85 V, 50 Ω system)

| PARAMETER                                                                                                                     | MIN         | TYP             | MAX         | UNIT   | COMMENTS                                                                                                                                                                |
|-------------------------------------------------------------------------------------------------------------------------------|-------------|-----------------|-------------|--------|-------------------------------------------------------------------------------------------------------------------------------------------------------------------------|
| Gain                                                                                                                          | -<br>-      | 26<br>15        | -<br>-      | dB     | P <sub>OUT</sub> = +28 dBm, V <sub>MODE</sub> = 0 V<br>P <sub>OUT</sub> = +16 dBm, V <sub>MODE</sub> = +2.85 V                                                          |
| Adjacent Channel Power <sup>(1)</sup><br>at ±1.25 MHz offset<br>Primary Channel BW = 1.23 MHz<br>Adjacent Channel BW = 30 kHz | -<br>-      | -50<br>-52      | -<br>-      | dB     | P <sub>OUT</sub> = +28 dBm, V <sub>MODE</sub> = 0 V<br>P <sub>OUT</sub> = +16 dBm, V <sub>MODE</sub> = +2.85 V                                                          |
| Adjacent Channel Power <sup>(1)</sup><br>at ±2.25 MHz offset<br>Primary Channel BW = 1.23 MHz<br>Adjacent Channel BW = 30 kHz | -<br>-      | -60<br>-60      | -<br>-      | dB     | P <sub>OUT</sub> = +28 dBm, V <sub>MODE</sub> = 0 V<br>P <sub>OUT</sub> = +16 dBm, V <sub>MODE</sub> = +2.85 V                                                          |
| Power-Added Efficiency <sup>(1)</sup>                                                                                         | -<br>-<br>- | 38<br>20<br>1.5 | -<br>-<br>- | %      | P <sub>OUT</sub> = +28 dBm, V <sub>MODE</sub> = 0 V<br>P <sub>OUT</sub> = +16 dBm, V <sub>MODE</sub> = +2.85 V<br>P <sub>OUT</sub> = 0 dBm, V <sub>MODE</sub> = +2.85 V |
| Quiescent Current (I <sub>cq</sub> )                                                                                          | -           | 20              | -           | mA     | V <sub>MODE</sub> = +2.85 V                                                                                                                                             |
| Reference Current                                                                                                             | -           | 6               | 9           | mA     | through V <sub>REF</sub> pin                                                                                                                                            |
| Mode Control Current                                                                                                          | -           | 1.3             | 2.5         | mA     | through V <sub>MODE</sub> pin, V <sub>MODE</sub> = +2.85 V                                                                                                              |
| Leakage Current                                                                                                               | -           | <1              | 5           | μA     | V <sub>CC</sub> = +4.2 V, V <sub>REF</sub> = 0 V<br>V <sub>MODE</sub> = 0 V                                                                                             |
| Noise in Receive Band                                                                                                         | -           | -137            | -           | dBm/Hz | 1930 MHz to 1990 MHz                                                                                                                                                    |
| Harmonics<br>2fo<br>3fo, 4fo                                                                                                  | -<br>-      | -40<br>-50      | -30<br>-30  | dBc    |                                                                                                                                                                         |
| Input Impedance                                                                                                               | -           | -               | 2:1         | VSWR   |                                                                                                                                                                         |
| Spurious Output Level<br>(all spurious outputs)                                                                               | -           | -               | -65         | dBc    | P <sub>OUT</sub> ≤ +28 dBm<br>In-band load VSWR < 8:1<br>Out-of-band load VSWR < 8:1<br>Applies over all voltage and<br>temperature operating ranges                    |
| Load mismatch stress with no<br>permanent degradation or failure                                                              | 8:1         | -               | -           | VSWR   | V <sub>CC</sub> = +5.0 V, P <sub>IN</sub> = +5 dBm<br>Applies over full operating<br>temperature range                                                                  |

## Notes:

1. PAE and ACP limit applies at 1880 MHz

## APPLICATION INFORMATION

To ensure proper performance, refer to all related Application Notes on the ANADIGICS web site: <http://www.anadigics.com>

### Shutdown Mode

The power amplifier may be placed in a shutdown mode by applying logic low levels (see Operating Ranges table) to both the  $V_{REF}$  and  $V_{MODE}$  voltages.

### Bias Modes

The power amplifier may be placed in either a Low Bias mode or a High Bias mode by applying the appropriate logic levels (see Operating Ranges table) to the  $V_{MODE}$  Voltage. The Bias Control table lists the recommended modes of operation for various applications.

Table 5: Bias Control

| APPLICATION       | $P_{OUT}$ LEVELS     | BIAS MODE | $V_{REF}$ | $V_{MODE}$ |
|-------------------|----------------------|-----------|-----------|------------|
| CDMA - low power  | $\leq +16\text{dBm}$ | Low       | +2.85 V   | +2.85 V    |
| CDMA - high power | $> +16\text{ dBm}$   | High      | +2.85 V   | 0 V        |
| Shutdown          | -                    | Shutdown  | 0 V       | 0 V        |

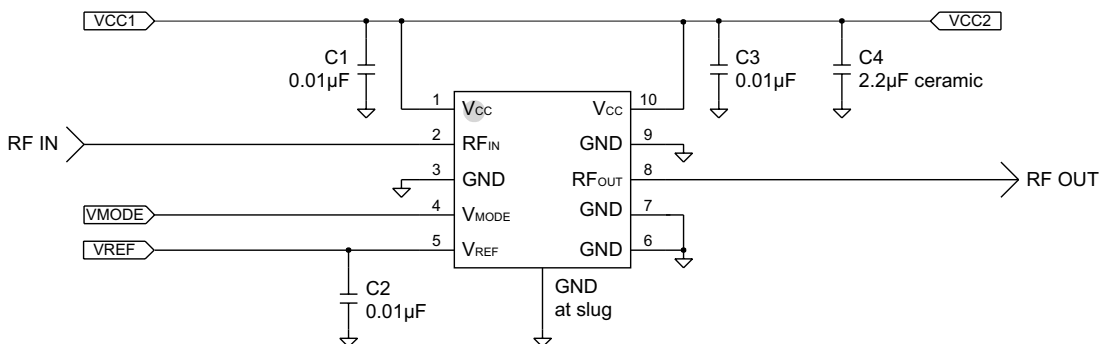
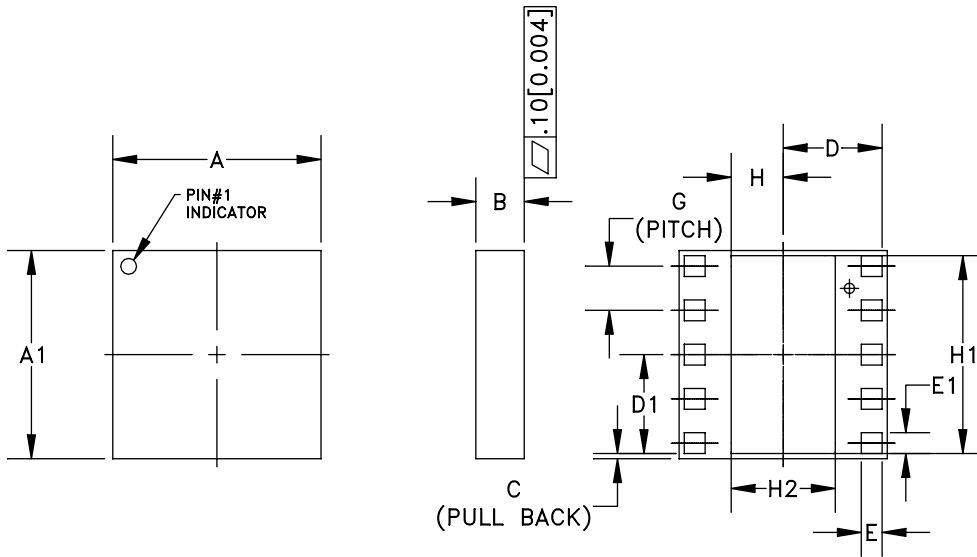


Figure 3: Application Circuit Schematic

PACKAGE OUTLINE



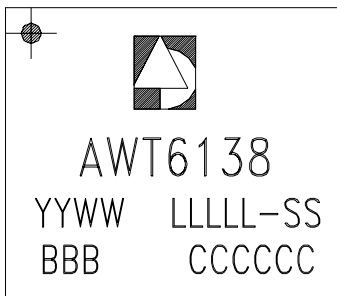
| Symbol | MILLIMETERS |      |      | INCHES    |       |       | NOTE |
|--------|-------------|------|------|-----------|-------|-------|------|
|        | MIN.        | NOM. | MAX. | MIN.      | NOM.  | MAX.  |      |
| A      | 3.88        | 4.00 | 4.12 | 0.152     | 0.157 | 0.162 | -    |
| A1     | 3.88        | 4.00 | 4.12 | 0.152     | 0.157 | 0.162 | -    |
| B      | 1.26        | 1.41 | 1.56 | 0.049     | 0.055 | 0.061 | -    |
| C      | -           | 0.10 | -    | -         | 0.004 | -     | -    |
| D      | -           | 1.90 | -    | -         | 0.075 | -     | -    |
| D1     | -           | 1.90 | -    | -         | 0.075 | -     | -    |
| E      | 0.35        | 0.40 | 0.45 | 0.013     | 0.015 | 0.017 | -    |
| E1     | 0.35        | 0.40 | 0.45 | 0.013     | 0.015 | 0.017 | -    |
| G      | 0.85 BSC    |      |      | 0.033 BSC |       |       | -    |
| H      | -           | 1.00 | -    | -         | 0.039 | -     | -    |
| H1     | -           | 3.80 | -    | -         | 0.149 | -     | -    |
| H2     | -           | 2.00 | -    | -         | 0.078 | -     | -    |

NOTES:

1. CONTROLLING DIMENSIONS: MILLIMETERS
2. UNLESS SPECIFIED TOLERANCE=±0.076[0.003].

Figure 4: M7 Package Outline - 10 Pin 4mm x 4mm Surface Mount Module

TOP BRAND

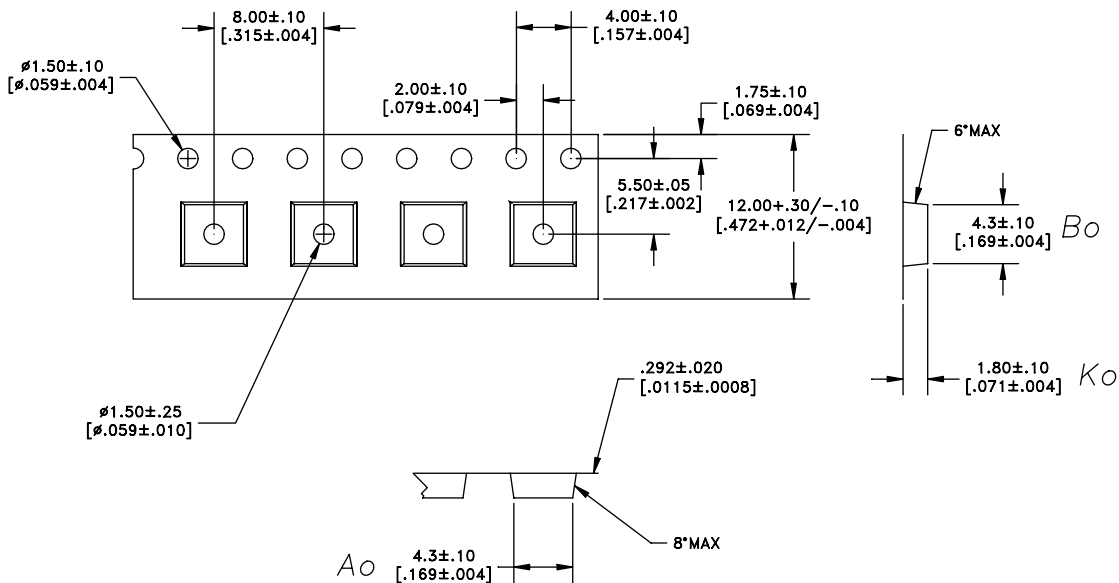


NOTES:

1. ANADIGICS LOGO SIZE: X=0.040±0.010 Y=0.048±0.010
2. PART # AWT6138
3. YEAR AND WORK WEEK: YYWW: YY = YEAR, WW = WORK WEEK
4. LOT - WAFER I.D.: LLLLL = LOT#, SS = WAFER I.D.
5. PIN 1 INDICATOR: MOLD NOTCH -or- INK DOT
6. BOM # & REV. BBBB
7. COUNTRY CODE: CCCCC
8. TYPE : ELITE  
SIZE : AS LARGE AS POSSIBLE  
WHITE or SILVER

Figure 5: Branding Specification

COMPONENT PACKAGING



DIMENSIONS ARE IN MILLIMETERS [INCHES]  
STANDARD TOLERANCES

Figure 6: Tape & Reel Packaging

Table 6: Tape & Reel Dimensions

| PACKAGE TYPE | TAPE WIDTH | POCKET PITCH | REEL CAPACITY | MAX REEL DIA |
|--------------|------------|--------------|---------------|--------------|
| 4mm X 4mm    | 12mm       | 8mm          | 2500          | 13"          |

**ORDERING INFORMATION**

| ORDER NUMBER | TEMPERATURE RANGE | PACKAGE DESCRIPTION                         | COMPONENT PACKAGING                 |
|--------------|-------------------|---------------------------------------------|-------------------------------------|
| AWT6138M7P8  | -30 °C to +110 °C | 10 Pin 4mm x 4mm<br>Surface Mount<br>Module | Tape and Reel, 2500 pieces per Reel |

**ANADIGICS, Inc.**

141 Mount Bethel Road  
Warren, New Jersey 07059, U.S.A.

Tel: +1 (908) 668-5000

Fax: +1 (908) 668-5132

URL: <http://www.anadigics.com>

E-mail: [Mktg@anadigics.com](mailto:Mktg@anadigics.com)

**IMPORTANT NOTICE**

ANADIGICS, Inc. reserves the right to make changes to its products or to discontinue any product at any time without notice. The product specifications contained in Advanced Product Information sheets and Preliminary Data Sheets are subject to change prior to a product's formal introduction. Information in Data Sheets have been carefully checked and are assumed to be reliable; however, ANADIGICS assumes no responsibilities for inaccuracies. ANADIGICS strongly urges customers to verify that the information they are using is current before placing orders.

**WARNING**

ANADIGICS products are not intended for use in life support appliances, devices or systems. Use of an ANADIGICS product in any such application without written consent is prohibited.