



ASM0406CB/0906CB[
DATA SHEET

6F-3 NO.7, LANE 75, TA-AN ROAD, SEC.1, TAIPEI, TAIWAN, R.O.C.
台北市大安路一段75巷7號6F-3 TEL:886-2-27818277 FAX:886-2-27815779

<http://www.aplusinc.com.tw>

ASM0406CB/0906CB

- VERY LOW-COST VOICE SYNTHESIZER WITH 4-BIT MICROPROCESSOR

1.0 General Description

The ASM0406CB/0906CB is very low cost voice synthesizer with 4-bit microprocessor. It has various features including 4-bit ALU, ROM, RAM, I/O ports, timers, clock generator, watchdog timer (WDT), voice synthesizer, etc. It consists of 22 instructions in the device. With CMOS technology and halt function can minimize power dissipation. Its architecture is similar to RISC, with two stages of instruction pipeline. It allows all instructions to be executed in a single cycle, except for program branches and data table read instructions (which need two instruction cycles).

1.1 Feature

- ◆ Single power supply can operate from 2.4V through 5.5V
- ◆ Internal Program ROM: 4K x 10-bit
- ◆ 1 sets of 15-bit DPR can access up to 32K x 10 bits data memory space
- ◆ Data Registers:
 - 64 x 4-bit data RAM (00-1Fh plus 40h-5Fh)
 - Unbanked special function registers (SFR) range: 20h-3Fh
- ◆ I/O Ports:
 - PRA: 4-bit I/O Port A (2Bh)
 - PRB: 2-bit Output Port B (2Dh)
- ◆ On-chip clock generator: Resistive Clock Drive(**RM**)
- ◆ Timer: 1
 - Timer0: a 9-bit auto-reload timer/counter
- ◆ Stack: 2-level subroutine nesting
- ◆ HALT and Release from HALT function to reduce power consumption
- ◆ Watch Dog Timer (**WDT**)
- ◆ Instruction: 1-cycle instruction except for table read and program branches which are 2-cycles
- ◆ Number of instruction: 22
- ◆ The Voice function can be implemented by microprocessor instruction
 - One 8-bit COUT output for ASM0406CB/0906CB

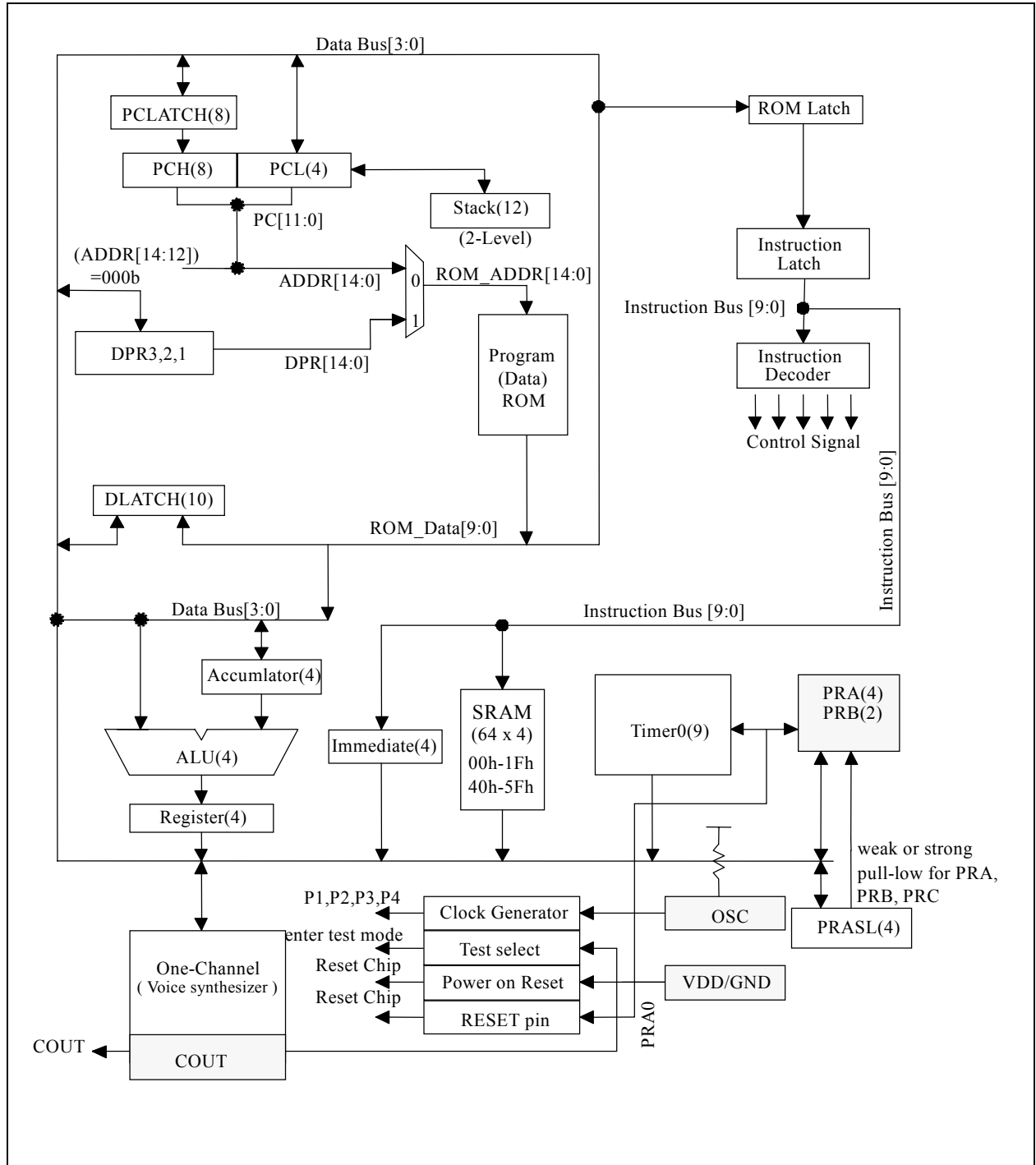
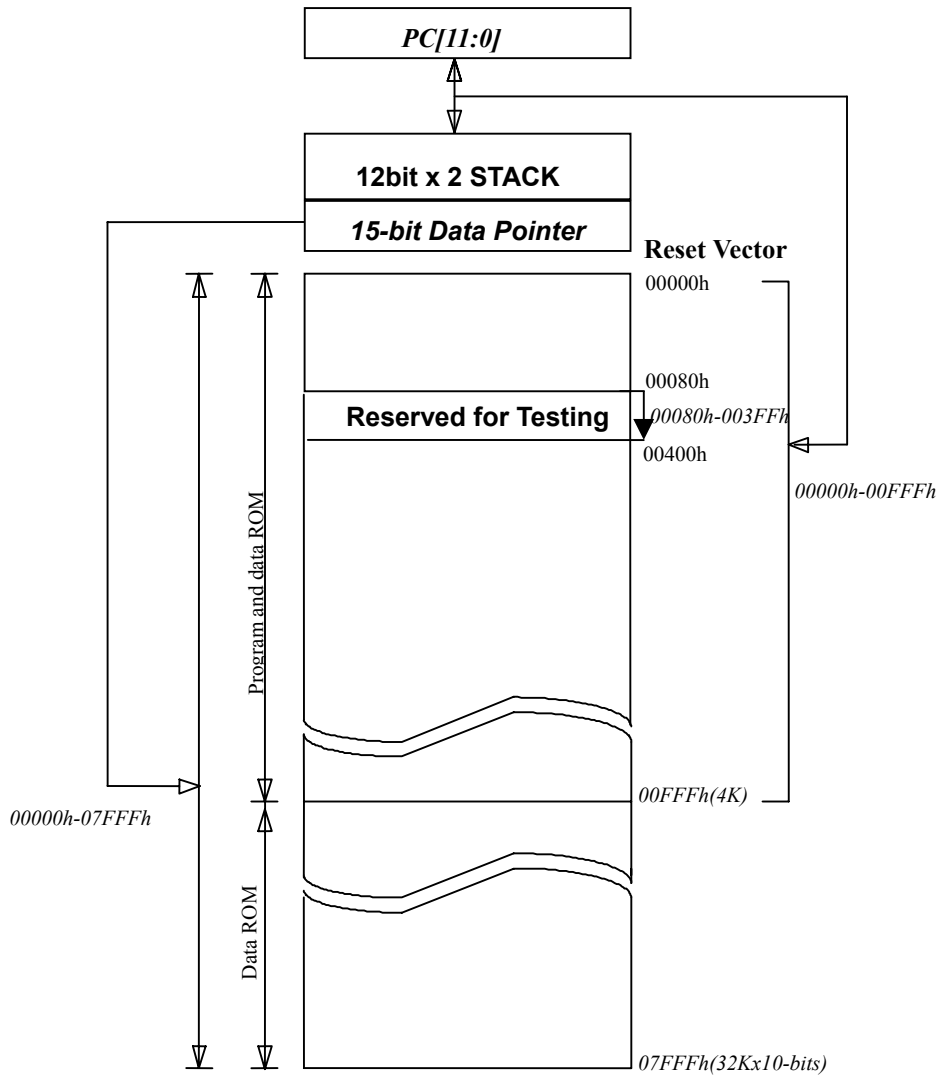
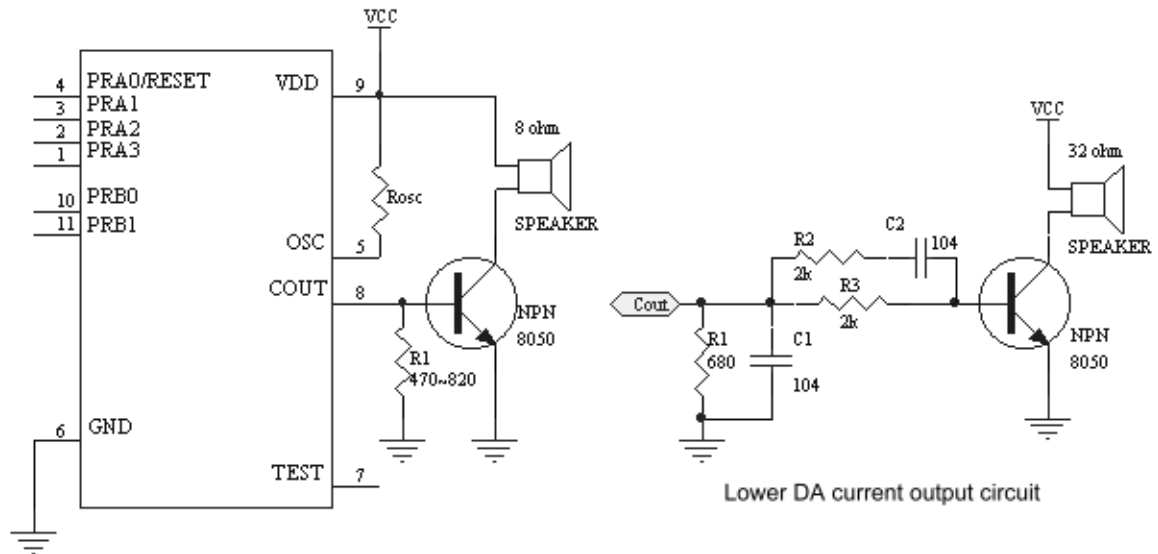
FIGURE 1.1 : Block Diagram of ASM0406CB/0906CB


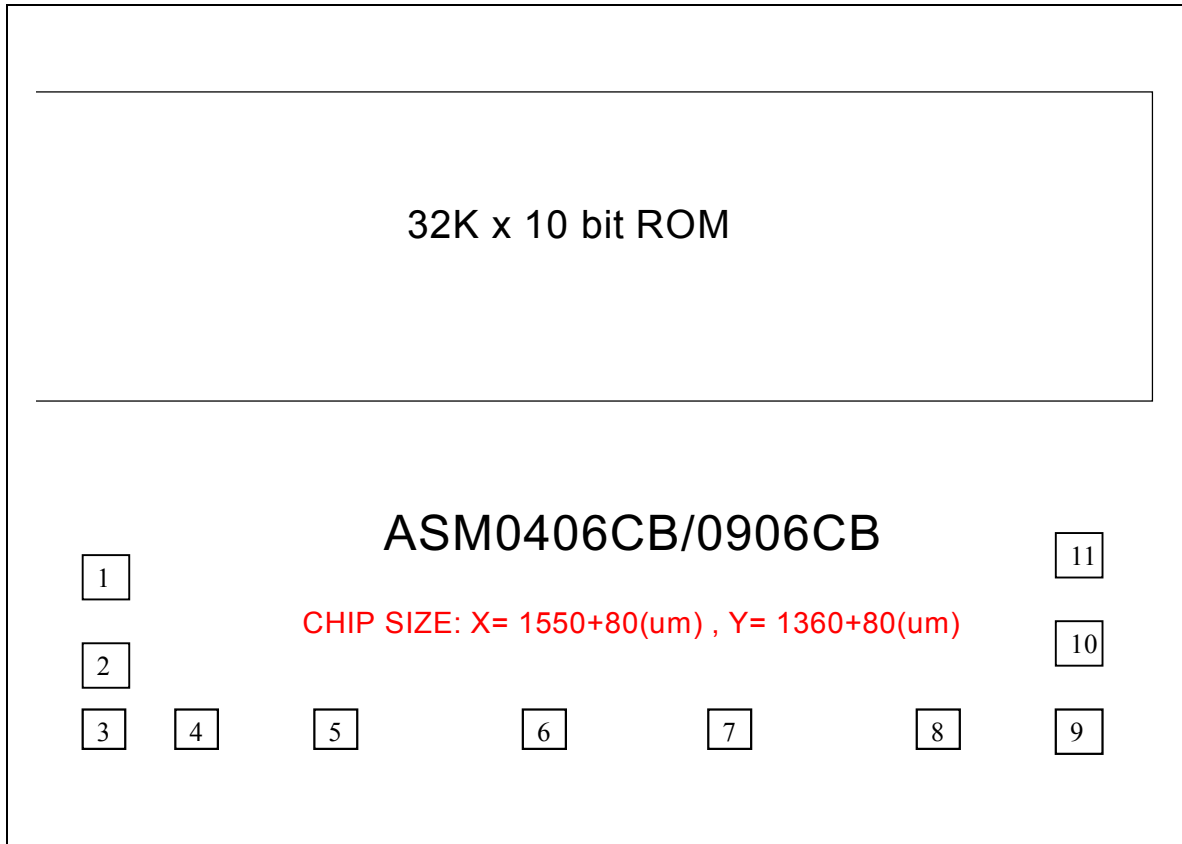
FIGURE 1.2 : External ROM Map of ASM0406CB/0906CB


1.2 Pin-Out

ASM0406CB/0906CB Pin-Out			
VDD	I	-	Power supply during operation
PRA3-1	I/O	STI Std./O.D.	I/O port with programmable strong pull-low or weak pull-low or fix-input-floating capability Output type with standard or Open-Drain output
PRA0/RESET	I/O	STI Std./O.D.	I/O port with programmable strong pull-low or weak pull-low or fix-input-floating capability Output type with standard or Open-Drain output <i>Mask option selected as an external RESET pin with weak pull-low capability</i>
OSC	I	-	RM mode Oscillator input
COUT	O	-	Current Output of Audio
GND	I	-	Circuit Ground Potential
TEST	O	-	Enter Test Mode. (TEST = High)
PRB0-1	O	Std./O.D.	Output type with standard or Open-Drain output

1.3 Application circuit



1.4 Bonding Diagram


Substrate must be connected to GND.

ASM0406CB/0906CB Pad Location				Chip Size: X= 1550 + 80 (um), Y=1360 + 80 (um)			
PAD #	PAD Name	X	Y	PAD #	PAD Name	X	Y
1	RA3	-664.92	-275.52	7	TEST	105.44	-600.2
2	RA2	-664.92	-403.64	8	COUT	303.96	-600.2
3	RA1	-662.64	-600.2	9	VDD	683.04	-600.2
4	RA0	-468.24	-600.2	10	RB0	664.92	-399.2
5	OSC	-281.04	-600.2	11	RB1	664.92	-280.8
6	GND	-111.72	-600.2				

1.5 DC Characteristics for ASM0406CB/0906CB

SYMBOL	PARAMETER		VDD	MIN.	TYP.	MAX.	UNIT	CONDITION
VDD	OPERATING VOLTAGE			2.4	3	5.5	V	depending on Freq.
I _{sb}	SUPPLY CURRENT	STANDBY	3			1	uA	4MHz, RM in HALT Mode
			5			1		
I _{op}		OPERATING	3		2		mA	4MHz, RM IO Floating
			5		7			
I _{ih}	INPUT CURRENT /Internal pull low		3		3		uA	4MHz, RM in HALT Mode (IO Ports with weak pull-high pull-low)
			5		9			
			5		-5.2			
I _{oh}	OUTPUT HIGH CURRENT		3		-3		mA	4MHz, RM (IO ports)
			5		-8			
I _{ol}	OUTPUT LOW CURRENT		3		7		mA	4MHz, RM (IO ports)
			5		20			
C _{out}	DA CURRENT OUT (FULL SCALE)		3		4		mA	4MHz, RM (IO ports)
			5		5.2			
dF/F	FREQUENCY STABILITY			-10		10	%	F _{osc} (3v- 2.4v) F _{osc} (3v)
dF/F	F _{osc} VARIATION			-20		20	%	VDD=3V, R _{osc} =850k, 4MHz

FIGURE 1.3 : Frequency Range for R_{osc} in RM mode

Resistor(k ohm)	1200	1000	820	560
3v Freq.(MHz)	2.92	3.51	4.13	7.02

