

# ARF449A ARF449B

Common  
Source

## RF POWER MOSFETS N-CHANNEL ENHANCEMENT MODE

**150V 90W 120MHz**

The ARF449A and ARF449B comprise a symmetric pair of common source RF power transistors designed for push-pull scientific, commercial, medical and industrial RF power amplifier applications up to 120 MHz.

- **Specified 150 Volt, 81.36 MHz Characteristics:**
  - Output Power = 90 Watts.**
  - Gain = 13dB (Class C)**
  - Efficiency = 75%**
- **Low Cost Common Source RF Package.**
- **Very High Breakdown for Improved Ruggedness.**
- **Low Thermal Resistance.**
- **Nitride Passivated Die for Improved Reliability.**


### MAXIMUM RATINGS

All Ratings:  $T_C = 25^\circ\text{C}$  unless otherwise specified.

Symbol	Parameter	ARF449A/449B	UNIT
$V_{DSS}$	Drain-Source Voltage	450	Volts
$V_{DGO}$	Drain-Gate Voltage	450	
$I_D$	Continuous Drain Current @ $T_C = 25^\circ\text{C}$	9	Amps
$V_{GS}$	Gate-Source Voltage	$\pm 30$	Volts
$P_D$	Total Power Dissipation @ $T_C = 25^\circ\text{C}$	165	Watts
$R_{\theta JC}$	Junction to Case	0.76	$^\circ\text{C/W}$
$T_J, T_{STG}$	Operating and Storage Junction Temperature Range	-55 to 150	$^\circ\text{C}$
$T_L$	Lead Temperature: 0.063" from Case for 10 Sec.	300	

### STATIC ELECTRICAL CHARACTERISTICS

Symbol	Characteristic / Test Conditions	MIN	TYP	MAX	UNIT
$BV_{DSS}$	Drain-Source Breakdown Voltage ( $V_{GS} = 0V, I_D = 250 \mu\text{A}$ )	450			Volts
$V_{DS(ON)}$	On State Drain Voltage <sup>①</sup> ( $I_D(ON) = 5A, V_{GS} = 10V$ )			4	
$I_{DSS}$	Zero Gate Voltage Drain Current ( $V_{DS} = V_{DSS}, V_{GS} = 0V$ )			25	$\mu\text{A}$
	Zero Gate Voltage Drain Current ( $V_{DS} = 0.8 V_{DSS}, V_{GS} = 0V, T_C = 125^\circ\text{C}$ )			250	
$I_{GSS}$	Gate-Source Leakage Current ( $V_{GS} = \pm 30V, V_{DS} = 0V$ )			$\pm 100$	nA
$g_{fs}$	Forward Transconductance ( $V_{DS} = 25V, I_D = 5A$ )	3	5.8		mhos
$V_{GS(TH)}$	Gate Threshold Voltage ( $V_{DS} = V_{GS}, I_D = 50mA$ )	2		5	Volts

 **CAUTION:** These Devices are Sensitive to Electrostatic Discharge. Proper Handling Procedures Should Be Followed.

APT Website - <http://www.advancedpower.com>

**DYNAMIC CHARACTERISTICS**

**ARF449A/449B**

Symbol	Characteristic	Test Conditions	MIN	TYP	MAX	UNIT
$C_{iss}$	Input Capacitance	$V_{GS} = 0V$ $V_{DS} = 150V$ $f = 1\text{ MHz}$		980	1200	pF
$C_{oss}$	Output Capacitance			87	120	
$C_{rss}$	Reverse Transfer Capacitance			25	40	
$t_{d(on)}$	Turn-on Delay Time	$V_{GS} = 15V$ $V_{DD} = 0.5 V_{DSS}$ $I_D = I_{D[Cont.]} @ 25^\circ C$ $R_G = 1.6\Omega$		5	10	ns
$t_r$	Rise Time			3.1	7	
$t_{d(off)}$	Turn-off Delay Time			15	25	
$t_f$	Fall Time			3	7	

**FUNCTIONAL CHARACTERISTICS**

Symbol	Characteristic	Test Conditions	MIN	TYP	MAX	UNIT
$G_{PS}$	Common Source Amplifier Power Gain	$f = 81.36\text{ MHz}$	12	13		dB
$\eta$	Drain Efficiency	$V_{GS} = 0V$ $V_{DD} = 150V$	70	75		%
$\Psi$	Electrical Ruggedness VSWR 20:1	$P_{out} = 90W$	No Degradation in Output Power			

① Pulse Test: Pulse width < 380  $\mu S$ , Duty Cycle < 2%

APT Reserves the right to change, without notice, the specifications and information contained herein.

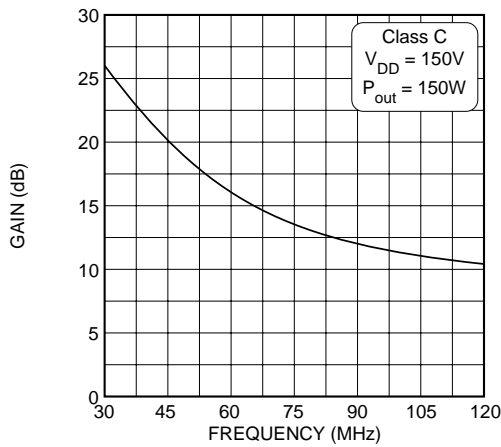


Figure 1, Typical Gain vs Frequency

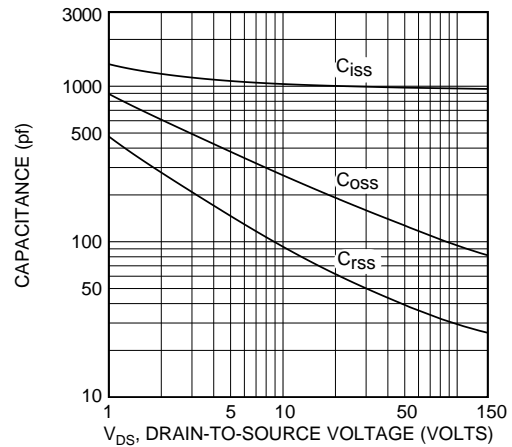


Figure 2, Typical Capacitance vs. Drain-to-Source Voltage

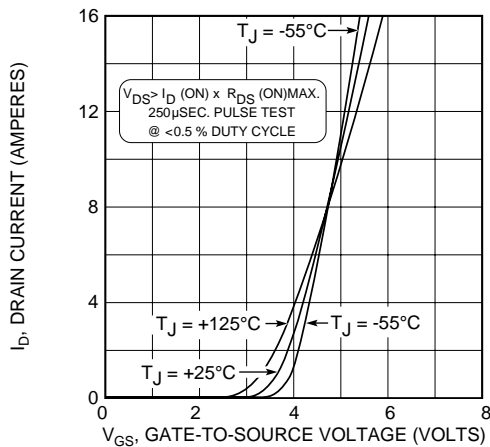


Figure 3, Typical Transfer Characteristics

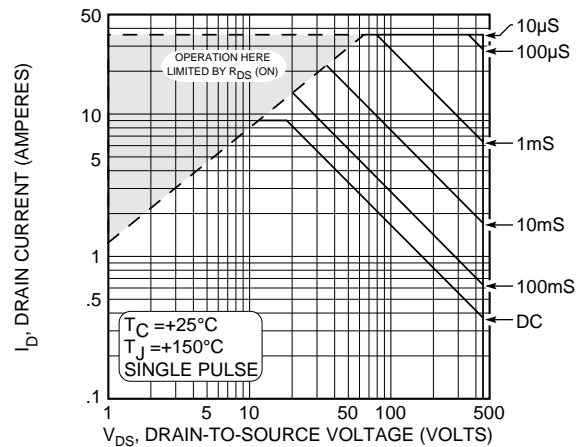


Figure 4, Typical Maximum Safe Operating Area

**ARF449A/449B**

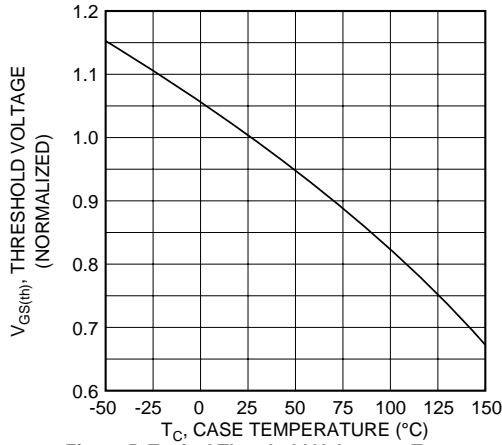


Figure 5, Typical Threshold Voltage vs Temperature

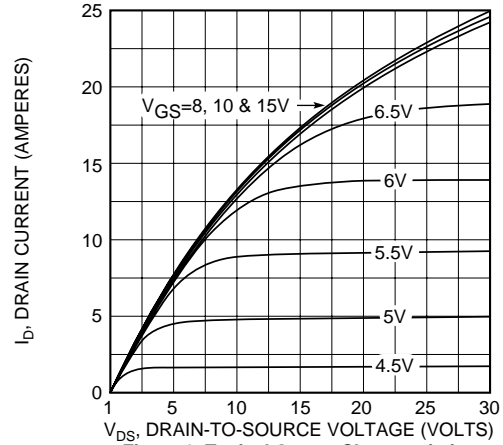


Figure 6, Typical Output Characteristics

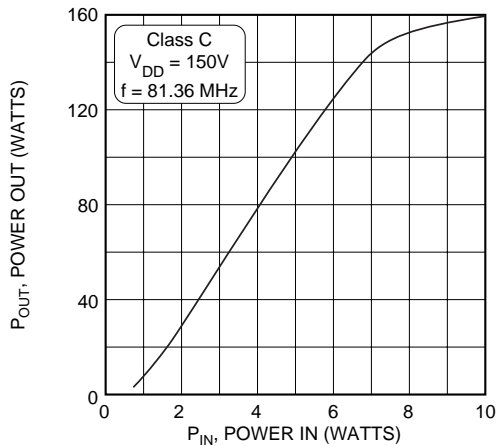


Figure 7, Typical Power Out vs Power In

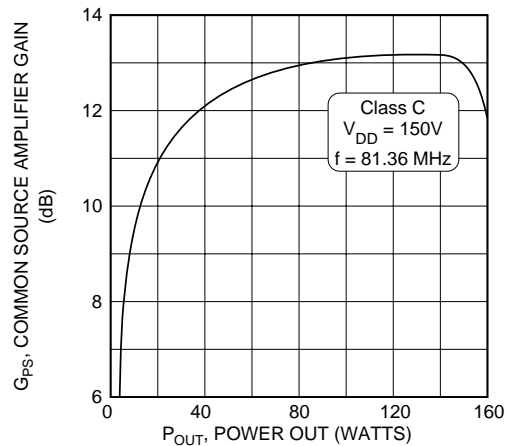


Figure 8, Typical Common Source Amplifier Gain vs Power Out

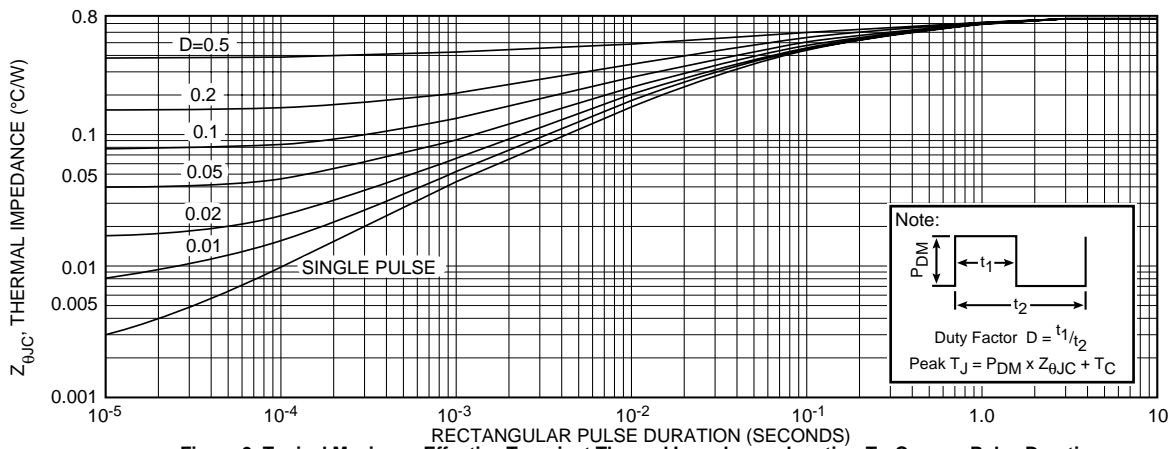


Figure 9, Typical Maximum Effective Transient Thermal Impedance, Junction-To-Case vs Pulse Duration

**Table 1 - Typical Class C Large Signal Input-Output Impedance**

Freq. (MHz)	Z <sub>in</sub> (Ω)	Z <sub>oL</sub> (Ω)
2.0	23.00 - j 7.0	93.0 - j 10
13.5	4.30 - j 9.1	63.0 - j 43
27.0	1.00 - j 4.2	32.0 - j 43
40.0	0.42 - j 1.7	17.5 - j 34
65.0	0.35 + j 1.1	7.7 - j 22
80.0	0.56 + j 2.5	5.1 - j 16
100.0	0.90 + j 3.8	3.4 - j 12

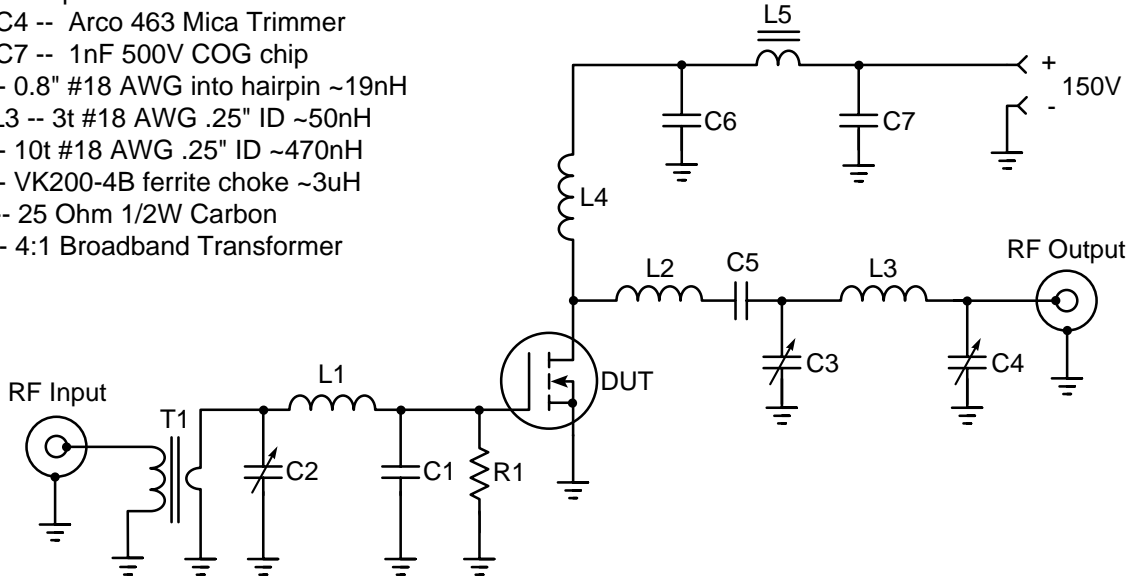
Z<sub>in</sub> - gate shunted by 25Ω

Z<sub>oL</sub> - conjugate of optimum load impedance for 150W at 150V

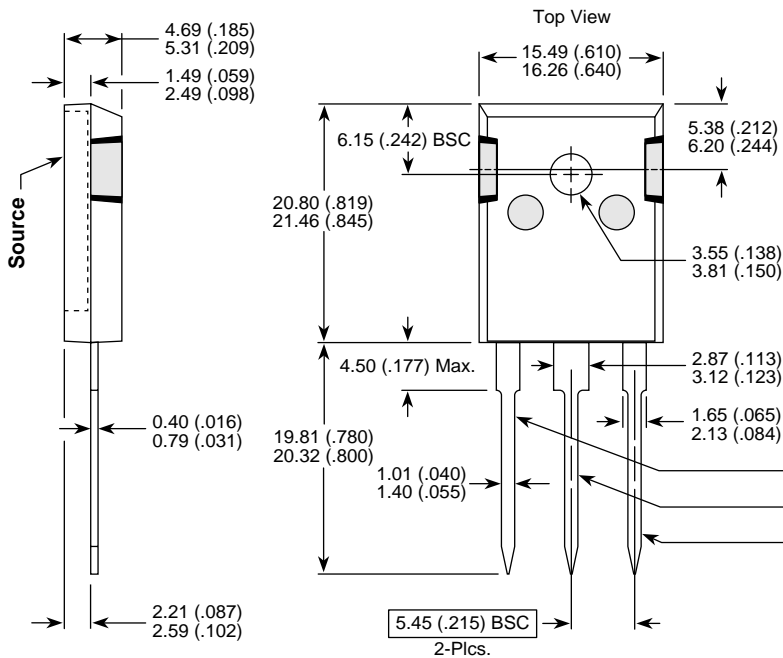
81.36 MHz Test Circuit

Parts List

- C1 -- 680pF Unelco
- C2-C4 -- Arco 463 Mica Trimmer
- C5-C7 -- 1nF 500V COG chip
- L1 -- 0.8" #18 AWG into hairpin ~19nH
- L2-L3 -- 3t #18 AWG .25" ID ~50nH
- L4 -- 10t #18 AWG .25" ID ~470nH
- L5 -- VK200-4B ferrite choke ~3uH
- R1 -- 25 Ohm 1/2W Carbon
- T1 -- 4:1 Broadband Transformer



TO-247 Package Outline



Dimensions in Millimeters and (Inches)

**NOTE:** The ARF446 and ARF447 comprise a symmetric pair of RF power transistors and meet the same electrical specifications. The device pin-outs are the mirror image of each other to allow ease of use as a push-pull pair.

Device	
ARF449A	ARF449B
Gate	Drain
Source	Source
Drain	Gate