

APSC56-21YWW YELLOW

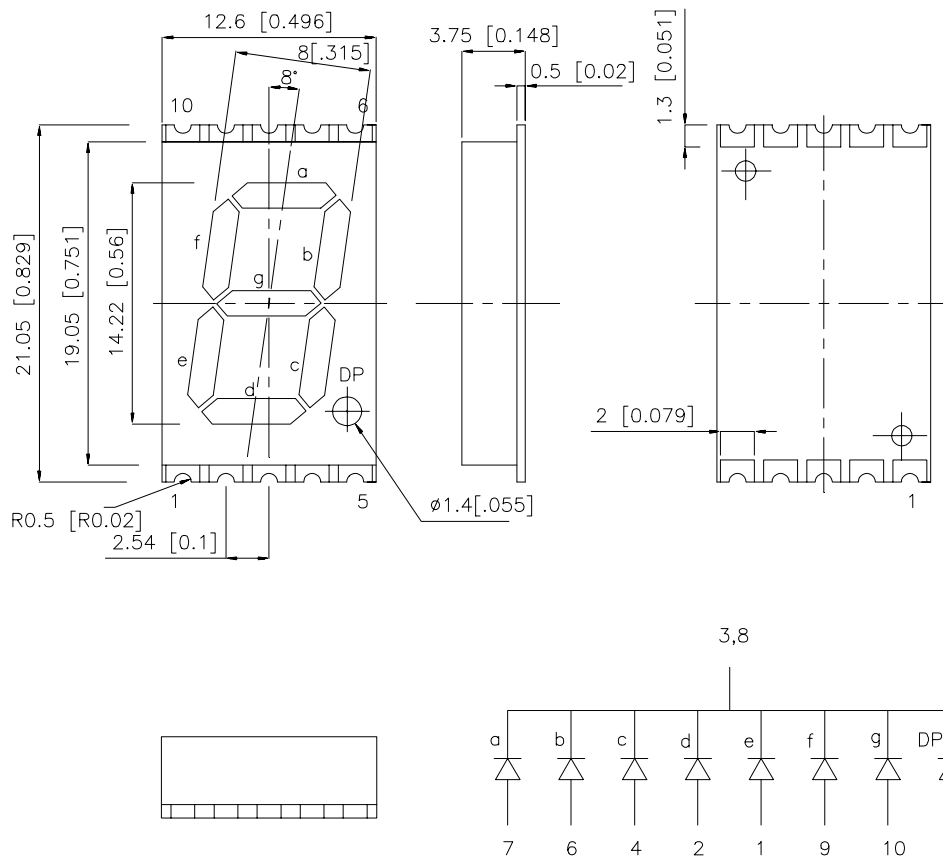
Features

- 0.56 INCH DIGIT HEIGHT.
- LOW CURRENT OPERATION.
- EXCELLENT CHARACTER APPEARANCE.
- EASY MOUNTING ON P.C. BOARDS OR SOCKETS.
- I.C. COMPATIBLE.
- MECHANICALLY RUGGED.
- STANDARD: WHITE FACE,WHITE SEGMENT.
- PACKAGE: 500PCS/REEL.

Description

The Yellow source color devices are made with Gallium Arsenide Phosphide on Gallium Phosphide Yellow Light Emitting Diode.

Package Dimensions & Internal Circuit Diagram



Notes:

1. All dimensions are in millimeters (inches).
2. Tolerance is $\pm 0.25(0.01)$ unless otherwise noted.
3. Lead spacing is measured where the lead emerge package.
4. Specifications are subject to change without notice.

Selection Guide

Part No.	Dice	Lens Type	Iv (mcd) @ 10 mA		Description
			Min.	Typ.	
APSC56-21YWW	YELLOW (GaAsP/GaP)	WHITE DIFFUSED	3.0	4.9	Common Cathode,Rt. Hand Decimal

Electrical / Optical Characteristics at T_A=25°C

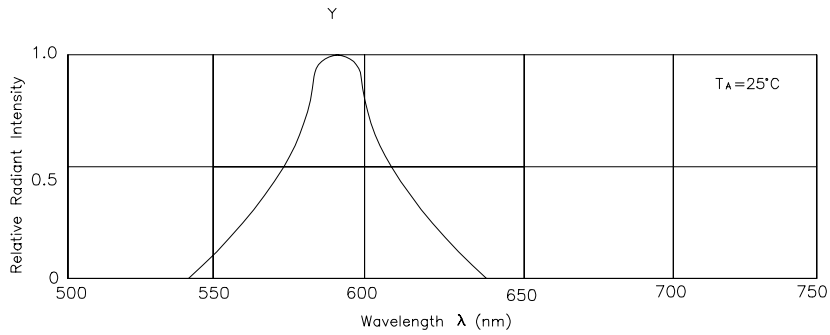
Symbol	Parameter	Device	Typ.	Max.	Units	Test Conditions
λ_{peak}	Peak Wavelength	Yellow	590		nm	IF=20mA
λ_D	Dominant Wavelength	Yellow	588		nm	IF=20mA
$\Delta\lambda_{1/2}$	Spectral Line Halfwidth	Yellow	35		nm	IF=20mA
C	Capacitance	Yellow	20		pF	VF=0V;f=1MHz
V _F	Forward Voltage	Yellow	2.1	2.5	V	IF=20mA
I _R	Reverse Current	Yellow		10	μA	VR = 5V

Absolute Maximum Ratings at T_A=25°C

Parameter	Yellow	Units
Power dissipation	105	mW
DC Forward Current	30	mA
Peak Forward Current [1]	140	mA
Reverse Voltage	5	V
Operating/Storage Temperature	-40°C To +85°C	

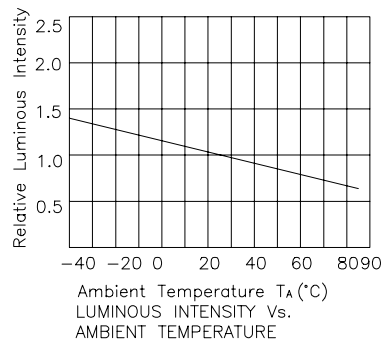
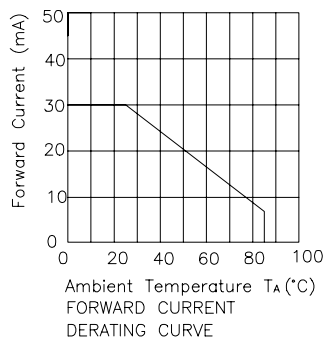
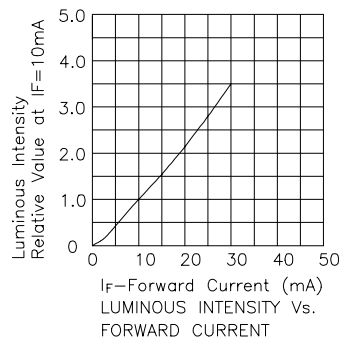
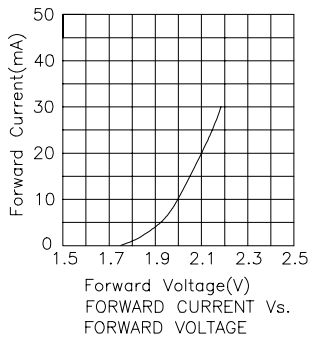
Note:

1. 1/10 Duty Cycle, 0.1ms Pulse Width.



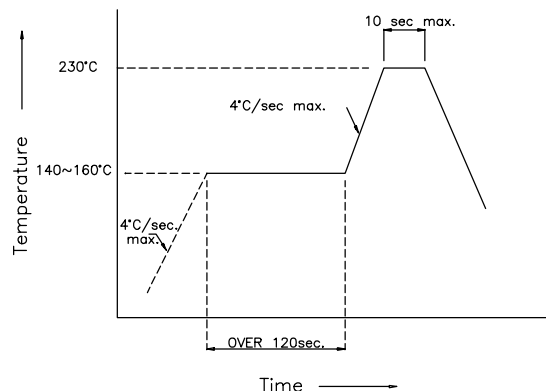
RELATIVE INTENSITY Vs. WAVELENGTH

Yellow APSC56-21YWW

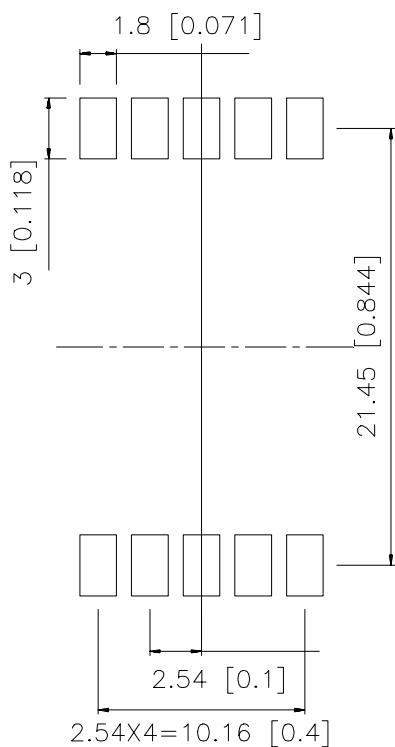


APSC56-21YWW SMT Reflow Soldering Instruction

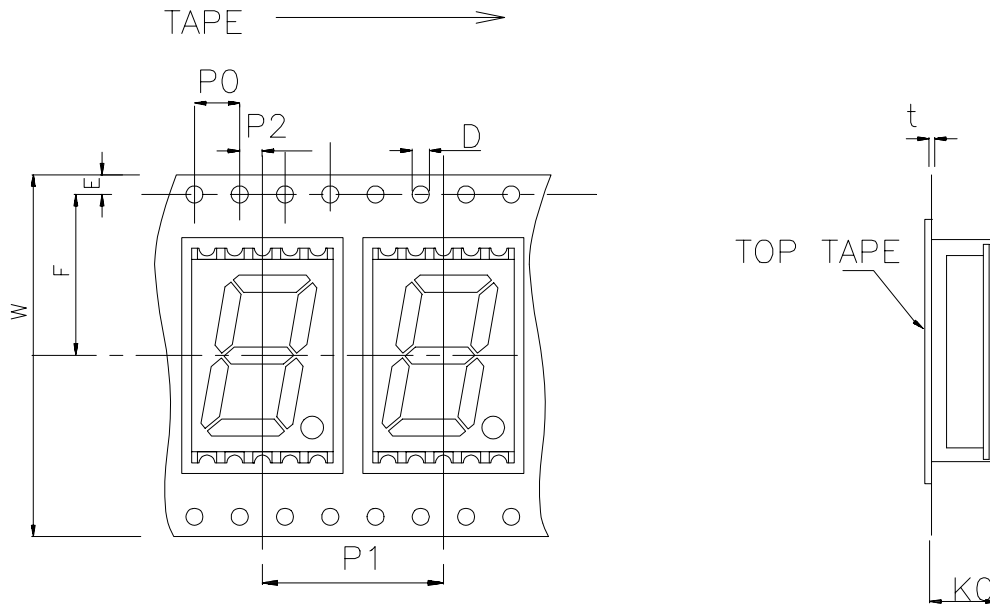
Number of reflow process shall be less than 2 times and cooling process to normal temperature is required between first and second soldering process.



Recommended Soldering Pattern (Units : mm)



Tape Specification
(Units : mm)



DIMENSIONS PER MILLIMETRES(INCHES)	
D	1.55[0.06]±0.05
E	1.75±0.1(.069)
F	14.2[0.559]±0.1
P	16[0.63]TYP.
P0	4.0(.157)TYP.
P2	2.0(.079±0.02)TYP.
t	0.3[0.012]TYP.
K0	4(0.157)±0.1
W	32[1.26]±0.3