

# ISDN S Interface Hybrid

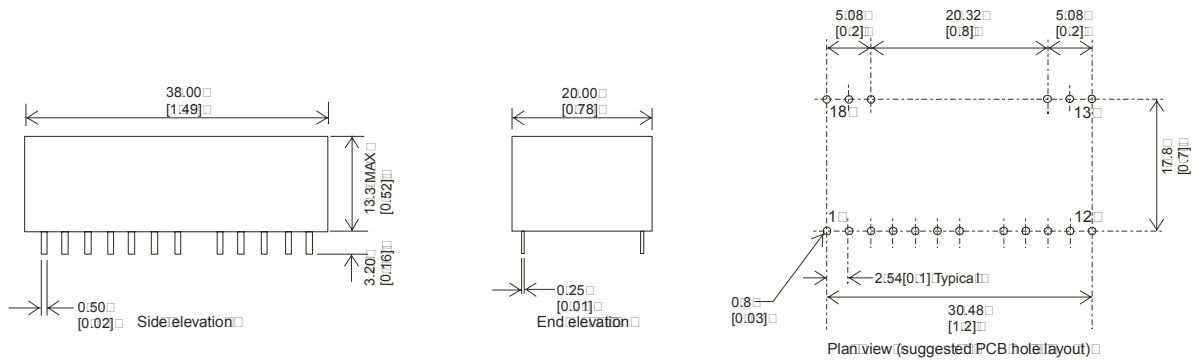
APC5568-5v

## ELECTRICAL SPECIFICATIONS @ 25°C

Turns Ratio +/-5%	Primary Inductance mH min	Leakage Inductance uH max	Primary DCR OHMS +/- 30%	Secondary DCR OHMS +/- 30%	Choke	
					Inductance per line mH nom	DCR per line OHMS
1CT:2	22	5.0	2.2	2.8	0.04	0.5

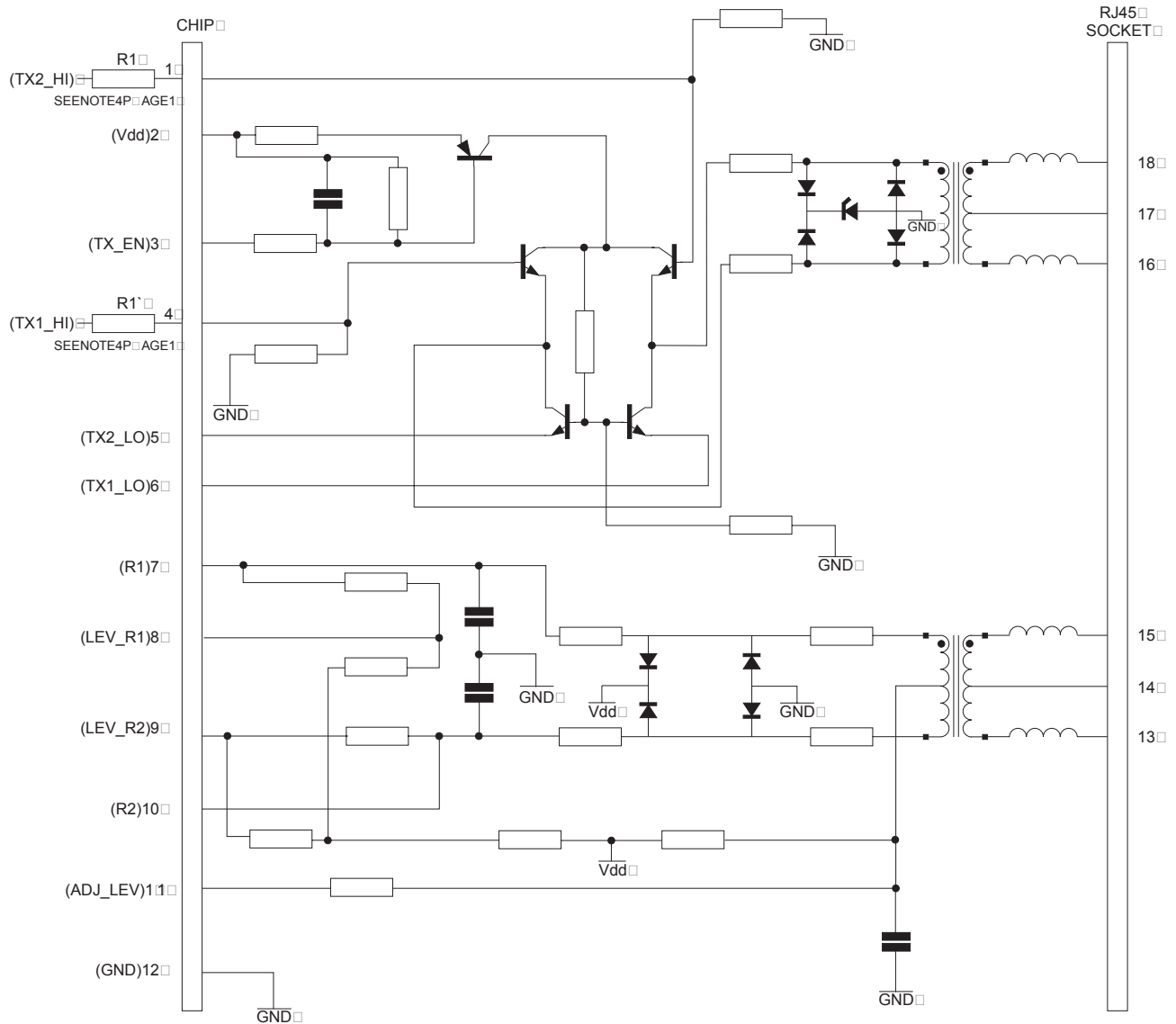
NOTES: ISOLATION PRI:SEC 1500VRMS  
 APPROVALS PENDING FOR IEC6950:A4:1996 AND EN60950:A4:1997  
 DESIGNED FOR USE WITH MOTOROLA MC145575 AND COLOGNE HFC-SXX  
 EXTERNAL RESISTORS R1 AND R1' REQUIRED FOR AMPLITUDE OPTIMIZATION. RECOMMENDED VALUE 560 OHMS

## MECHANICAL



NOTES: NOT TO SCALE  
 TOLERANCE +/- 0.2MM  
 ALL DIMENSIONS IN MM [INCHES]  
 DOT ON TOP SURFACE INDICATES PIN 1

#### SCHEMATIC



©2006 Bel Fuse Inc. Specifications subject to change without notice. 08.02.06

#### CORPORATE

**Bel Fuse Inc.**  
 206 Van Vorst Street  
 Jersey City, NJ 07302  
 Tel 201-432-0463  
 Fax 201-432-9542  
 www.belfuse.com

#### FAR EAST

**Bel Fuse Ltd.**  
 8F / 8 Luk Hop Street  
 San Po Kong  
 Kowloon, Hong Kong  
 Tel 852-2328-5515  
 Fax 852-2352-3706  
 www.belfuse.com

#### EUROPE

**Bel Stewart Connector**  
 45/46 Riverside  
 Medway City Estate  
 Rochester, Kent ME2 4DP U.K.  
 Tel 44-1634-722890  
 Fax 44-1634-716677  
 www.belfuse.com