

32.768kHz SMD LOW PROFILE CRYSTAL

ABS25

Pb in High Temperature Solder
(exempt per RoHS 2002/95/EC Annex (7))

RoHS
Compliant



FEATURES:

- Low frequency in small size SMD
- 2.5mm height ideal for high density circuit boards
- Ceramic package offers excellent environmental & heat resistance
- Extended temperature -40°C to +85°C for industrial applications

APPLICATIONS:

- Wide range in communication & measuring equipment
- Commercial & Industrial applications
- Automotive electronics applications
- Wireless communications
- PDA and Palm Pilots

STANDARD SPECIFICATIONS:

PARAMETERS

ABRACON P/N	ABS25
Nominal Frequency	32.768 kHz
Frequency Range	30kHz to 165kHz
Operating Temperature	-40°C to + 85°C
Turn-over Temperature	+25°C to ±5°C
Storage Temperature	-55°C to +125°C
Frequency Tolerance	±20 ppm max. for 32.768kHz ±30 ppm max. for other frequencies (see options)
Capacitance Ratio	450 typ. for 32.768kHz 425 to 800 typ. for other frequencies
Frequency Coefficient (β)	- 0.034±0.006 ppm/T ²
Equivalent Series Resistance	50 kohms max. for 32.768kHz 30 kohms to 50 kohms max. for other frequencies
Load Capacitance CL	12.5 pF (see option)
Shunt Capacitance C0	1.35 pF typ. for 32.768kHz 0.8 pF to 1.7 pF typ. for other frequencies
Motional Capacitance C1	0.0023 pF typ.
Drive Level	1.0 μ W max.
Aging (first year) 25°C ± 3°C	± 3 ppm max. for 32.768kHz ± 5 ppm max. for other frequencies
Insulation Resistance	500 M Ω with 100 Vdc ±15V

OPTIONS AND PART IDENTIFICATION:

(Left blank if standard)

ABS25- Frequency- - -

CL Option
Please specify load cap. in pF (ex. 6pF)

Freq. Tolerance	
1	± 10 ppm
5	± 15 ppm
2	± 20 ppm
3	± 25 ppm
4	± 30 ppm

Packaging	
Blank	Bulk
T	Tape and Reel



32.768kHz SMD LOW PROFILE CRYSTAL

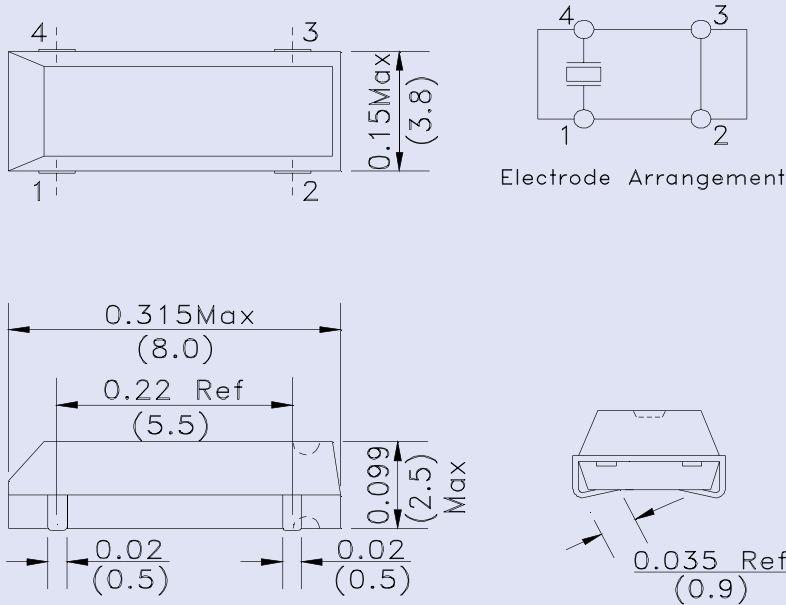
ABS25

Pb in High Temperature Solder
(exempt per RoHS 2002/95/EC Annex (7))

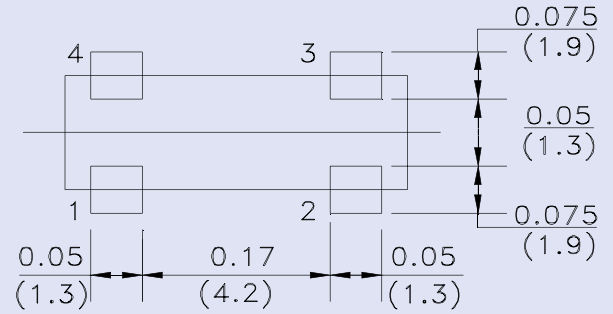
RoHS
Compliant



OUTLINE DRAWING:

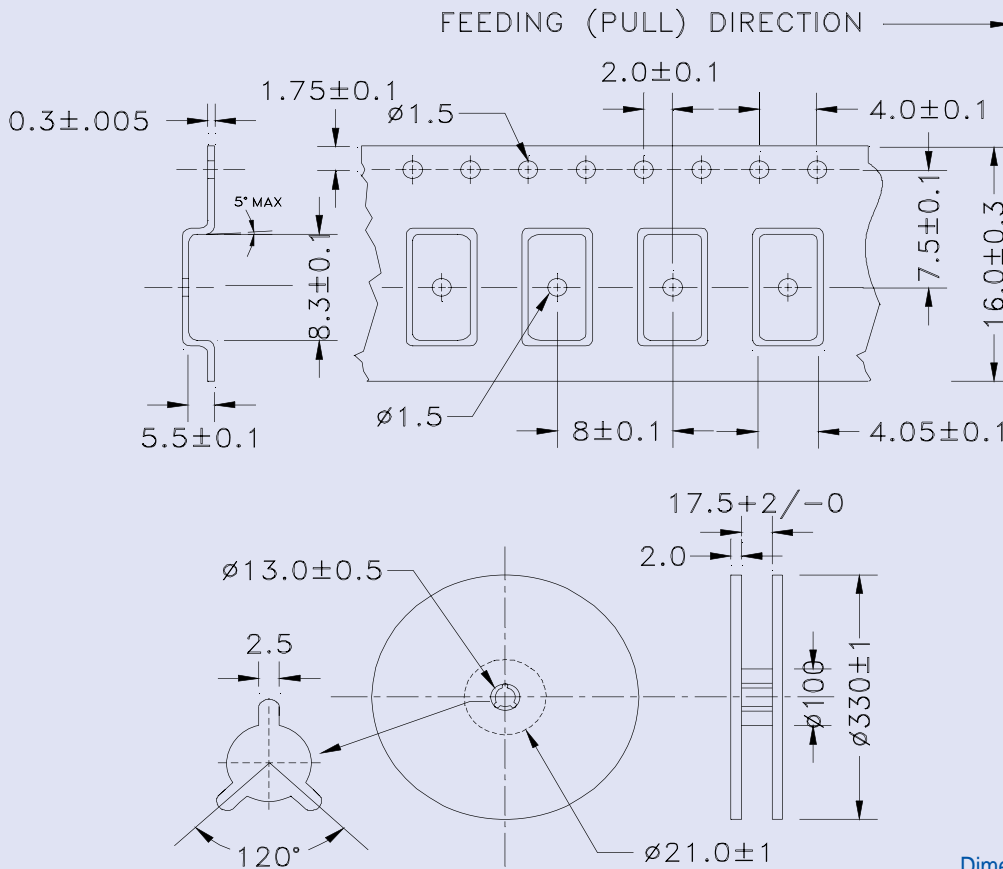


Recommended Land Pattern



Dimensions: (inches) mm

TAPE & REEL: T = Tape and reel 3,000pcs/reel



Dimensions: mm

ABRACON IS
ISO 9001 / QS 9000
CERTIFIED



Visit www.abracon.com for Terms & Conditions of Sale **Revised: 07.11.07**
30332 Esperanza, Rancho Santa Margarita, California 92688
tel 949-546-8000 | fax 949-546-8001 | www.abracon.com