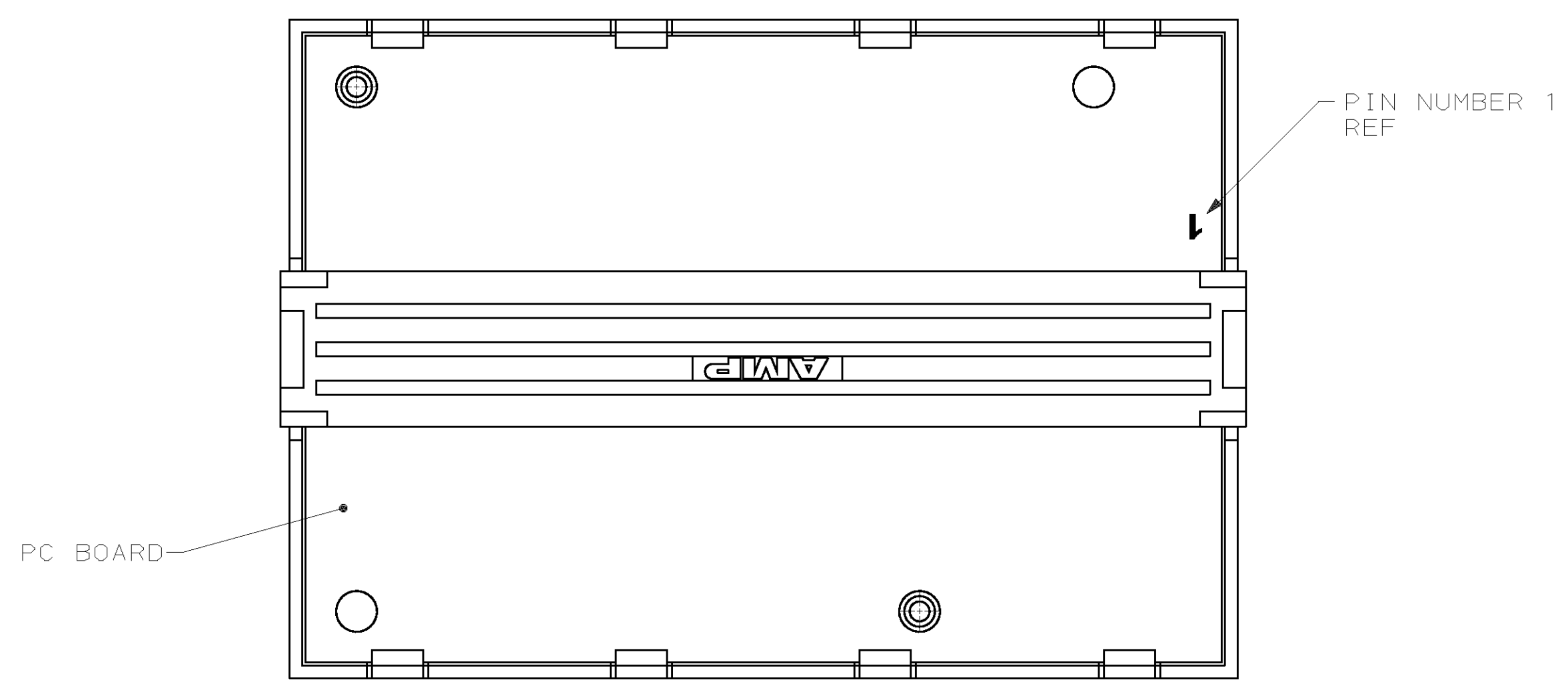
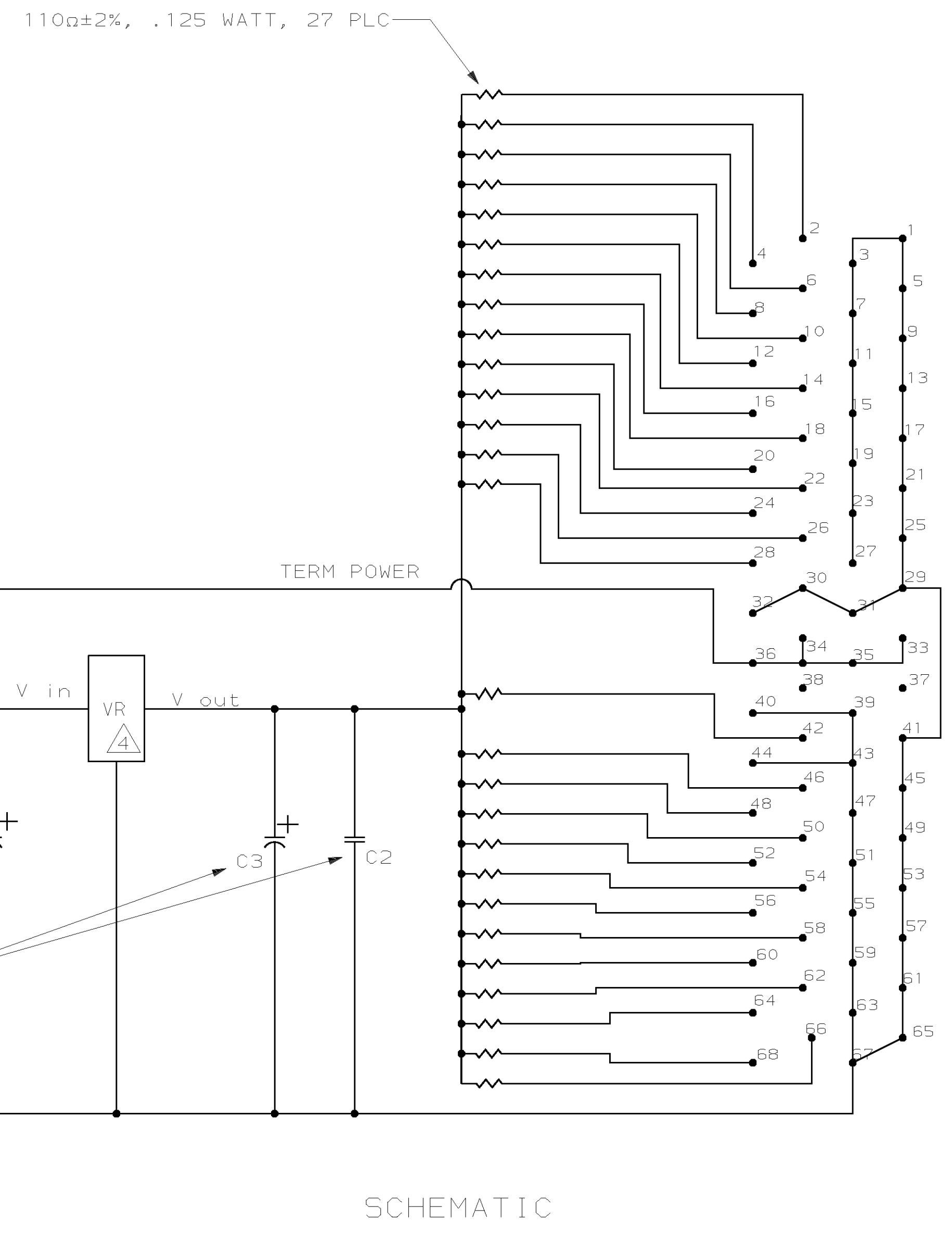
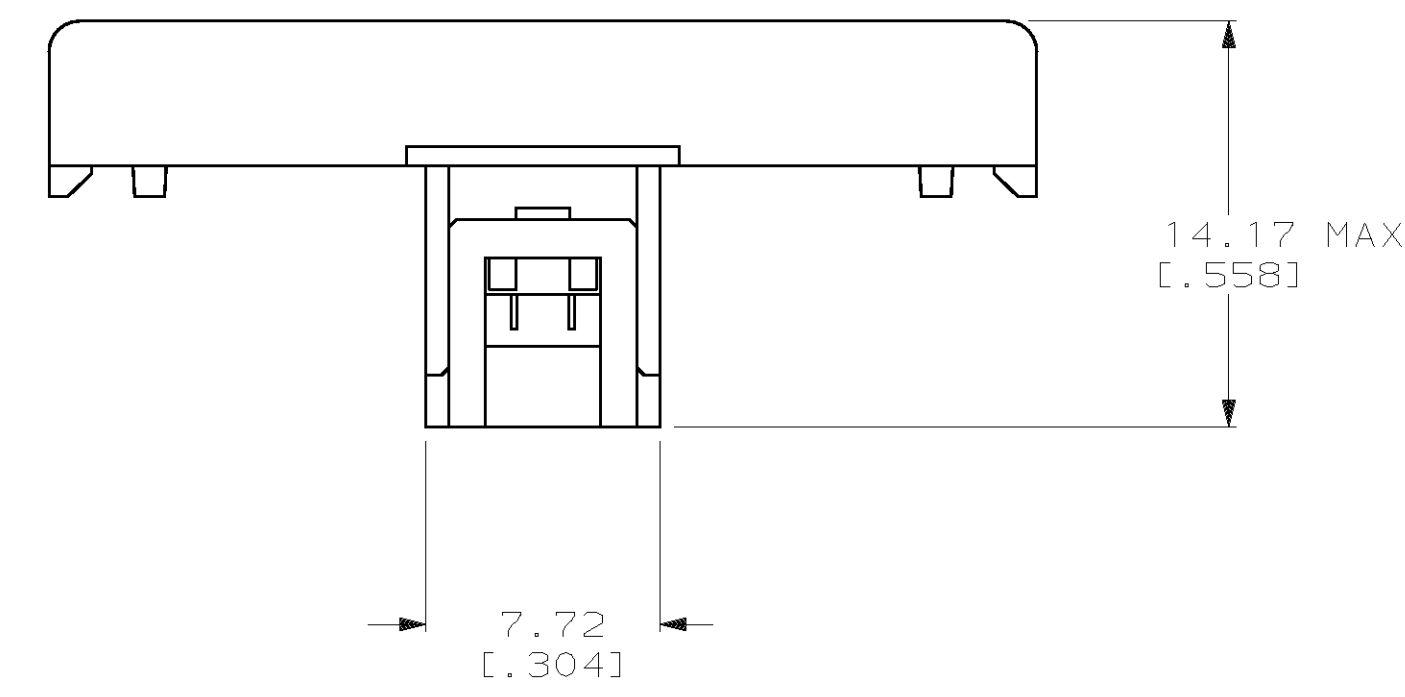
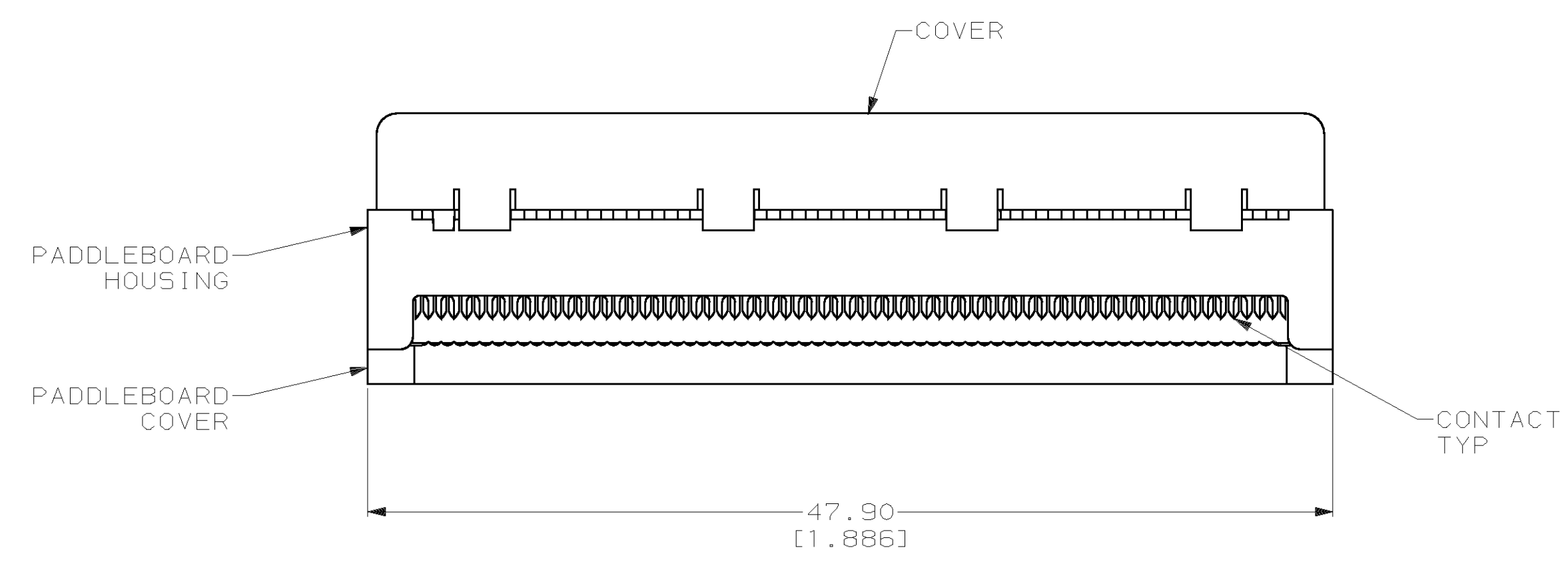
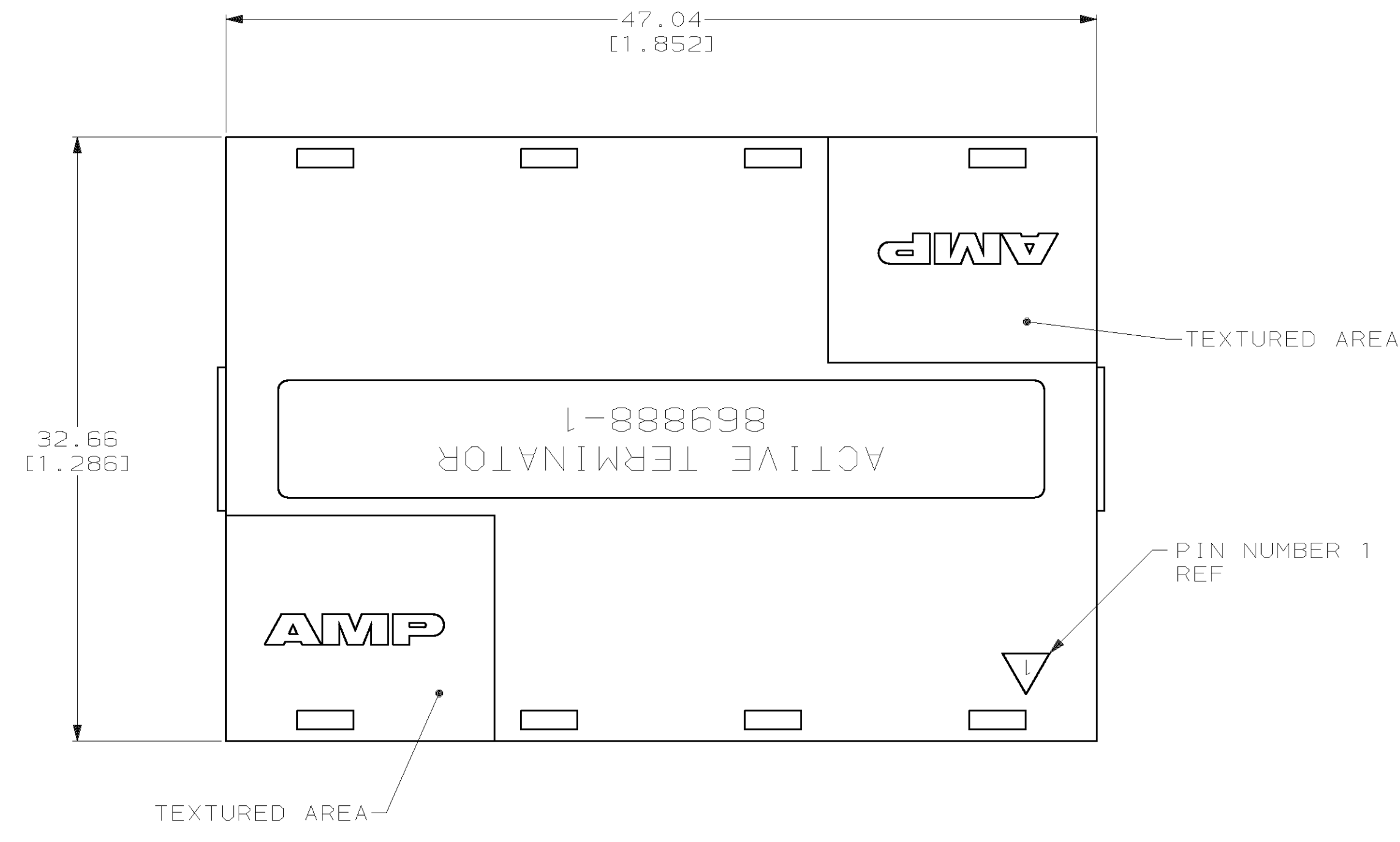


LOC	DIST	P	ZONE	LTR	DESCRIPTION	DATE	APPD
BD	62				RLSE -1 PER NPR 5156 WAS 94-4163-051-01	08-08-94	JV
				A	REV PER EC 0020-1308-94	11/10/94	JV
				B	REV PER EC 0020-0811-95	09 AUG 95	WD
				C	REV PER EC 0020-0862-95	28 AUG 95	RD
				D	REV PER EC 0420-0002-96	19 AUG 96	RWD
				E	REV PER EC 0020-731-96	24 OCT 96	WD
				F	REVISED PER EC 0420-86-97	08 SEP 97	JV
				G	REV PER EC 0420-0169-97	10 NOV 97	PR
				H	REV PER EC 0640-326-98	03 SEP 98	PR
				J	REV PER 0640-504-98	11 DEC 98	PR

- ⚠ PADDLEBOARD HOUSING: LCP, BLACK, UL 94V-0 RATED.
 PADDLEBOARD COVER: POLYESTER, BLACK OR GREY, UL 94V-0 RATED.
 COVER: ABS, BLACK, UL 94V-0 RATED.
 CONTACTS: COPPER ALLOY.
 SUBSTRATE: PLASTIC LAMINATE.
- ⚠ 2.54µm[.000100] MIN TIN-LEAD OVER 1.27µm[.000050] MIN NICKEL.
- ⚠ C1 = 4.7µFD TANTALUM; C3 = 22µFD TANTALUM; C2 COMPRISED OF TWO .1µFD CERAMIC CAPACITORS.
- ⚠ VOLTAGE REGULATOR TO MEET ALL SCSI SINGLE-ENDED ACTIVE REQUIREMENTS.



DO NOT SCALE PRINT. UNLESS SPECIFIED DIMENSIONS IN mm [INCHES] TOLERANCES ON: 2 PLC DEC ± 0.13 [0.005] 3 PLC DEC ± - ANGLES ± -		DR 08-08-94 D.BROCKWAY	869888-1 PART NO	
MATERIAL	FINISH	CHK 08-09-94 R.STONE	AMP Incorporated Harrisburg, PA 17105-3508	
		APPD 09-10-94 J.VANDYKE	NAME .025C IDC ASSEMBLY, ACTIVE TERMINATOR	
		APPD 09-10-94 J.VANDYKE	SIZE D	CAGE CODE 00779
			DRAWING NO C-869888	
			SCALE 4:1	SHEET 1 OF 1

THIS DRAWING IS A CONTROLLED DOCUMENT FOR AMP INCORPORATED. IT IS SUBJECT TO CHANGE AND THE CONTROLLING ENGINEERING ORGANIZATION SHOULD BE CONTACTED FOR THE LATEST REVISION.