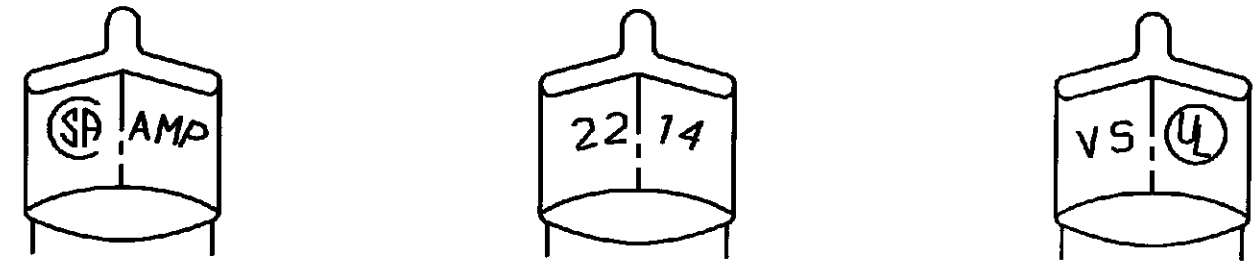


DRAWING MADE IN THIRD ANGLE PROJECTION

THIS DRAWING IS UNPUBLISHED. RELEASED FOR PUBLICATION .19
 © COPYRIGHT 19 BY AMP INCORPORATED. ALL INTERNATIONAL RIGHTS RESERVED.

LOC	DIST	ZONE	LTR	DESCRIPTION	DATE	APPO
G	14		H	REV / 0720-0071-93	5/93	J / HC

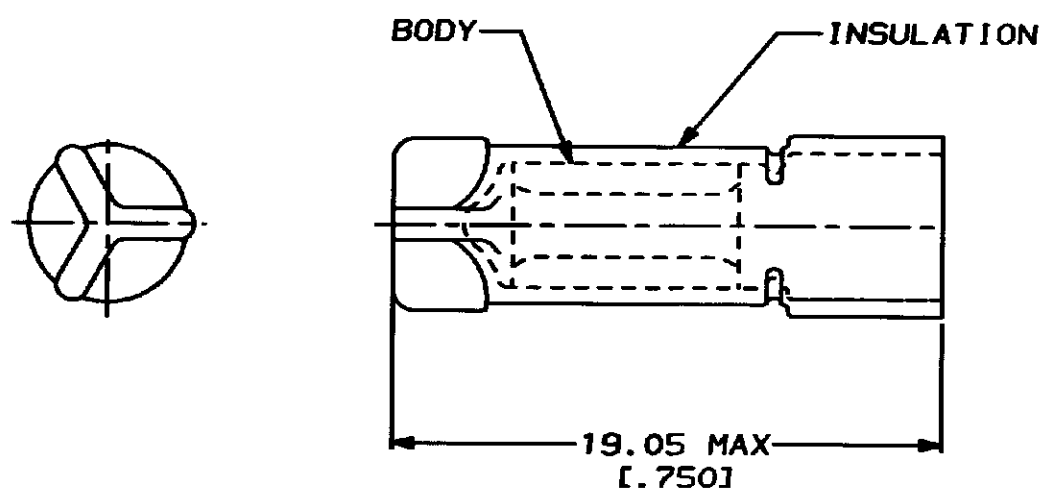


DETAIL OF STAMPING

AMP WIRE RANGE	UL Listed	LR7189 Certified
22-14 AWG SOLID OR STRANDED	22-14 AWG SOLID OR STRANDED	22-14 AWG SOLID OR STRANDED

METRIC
 DIMENSIONS LISTED IN mm [INCHES]

NOTES:
 1. WIRE INSULATION OPENING 3.96mm [.156] MIN DIA.



QTY	DESCRIPTION	PART NO
100	LOOSE PC, BOX	8-34304-1
-	LOOSE PC	34304

DR 1/93 G KESPER	AMP AMP Incorporated Harrisburg, PA 17105-3608 NAME SPLICE, WIRE, CLOSED END SIZE B CASE CODE 00779 DRAWING NO C-34304 SCALE 5:1 SHEET 1 OF 1
CHK 1/93 B HESSEY	
APPO 1/93 B CLINE	
APPO 1/93 H ELLIS	
PRODUCT SPEC -	
APPLICATION SPEC -	
WEIGHT -	

AMP INCORPORATED CUSTOMER SERVICE SYSTEMS		MAX RECOMMENDED OPERATING TEMPERATURE: 90°C MAX	DO NOT SCALE PRINT. UNLESS SPECIFIED DIMENSIONS IN MILLIMETERS TOLERANCES ON: 2 PLC DEC = 0.20L.000 3 PLC DEC = - ANGLES = - MATERIAL: BODY: COPPER INSULATION: PVC COLOR: RED FINISH: BODY: TIN PLATE MIL-T-10227 TYPE-1
FOR ADDITIONAL PRODUCT INFORMATION OR COPIES OF DRAWINGS AND TECHNICAL DOCUMENTS	PRODUCT INFORMATION CENTER 1-800-522-6752	VOLTAGE RATING: 300V MAX	
FOR APPLICATION TOOLING INFORMATION	TOOLING ASSISTANCE CENTER 1-800-722-1111	CIRCULAR MIL AREA: 0.26-2.62mm² (509-5180) SOLID OR STRANDED	
FOR ORDER ENTRY	1-800-526-5142	THIS DRAWING IS A CONTROLLED DOCUMENT FOR AMP INCORPORATED. IT IS SUBJECT TO CHANGE AND THE CONTROLLING ENGINEERING ORGANIZATION SHOULD BE CONTACTED FOR THE LATEST REVISION.	