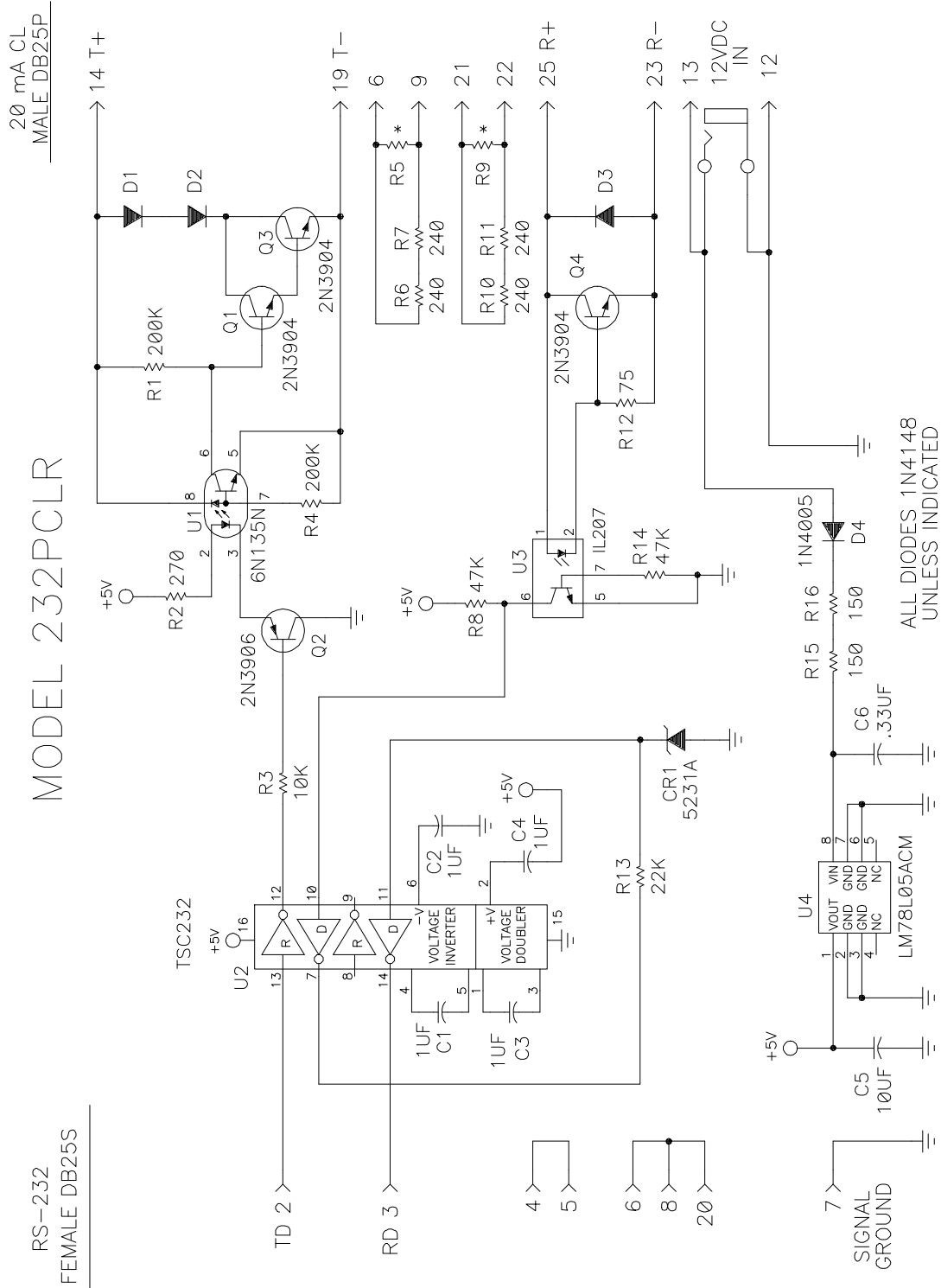
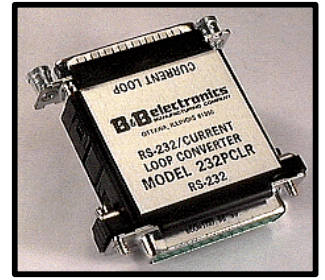


Current Loop Converter Model 232PCLR

Document No. 232PCLR2895



© 1992 B&B Electronics -- Revised August 1995