

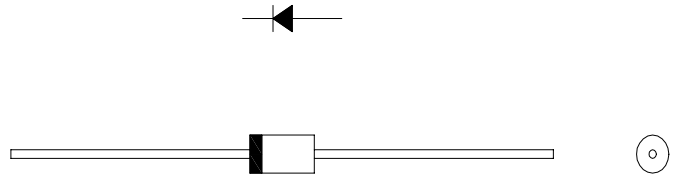
# DIODE Type : 20KDA40

2A 400V Tj =150 °C

OUTLINE DRAWING

## FEATURES

- \* Miniature Size
- \* Low Forward Voltage drop
- \* Low Reverse Leakage Current
- \* High Surge Capability
- \* 52mm Inside Tape Spacing Package Available



## Maximum Ratings

Approx Net Weight:0.38g

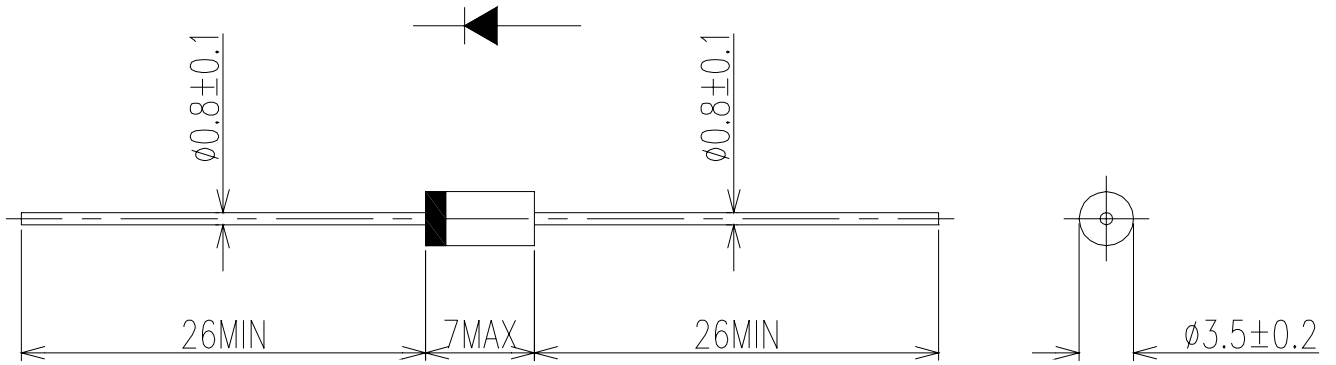
Rating	Symbol	20KDA40			Unit	
Repetitive Peak Reverse Voltage	$V_{RRM}$	400			V	
Average Rectified Output Current	$I_O$	50Hz Half Sine Wave Resistive Load	Ta=34°C *1	1.7	A	
			Tl=115°C (Tl: Lead Temperature)	2.0		
RMS Forward Current	$I_{F(RMS)}$				3.14	A
Surge Forward Current	$I_{FSM}$	50Hz Half Sine Wave,1cycle, Non-repetitive			75	A
Operating JunctionTemperature Range	$T_{jw}$	- 40 to + 150			°C	
Storage Temperature Range	$T_{stg}$	- 40 to + 150			°C	

## Electrical • Thermal Characteristics

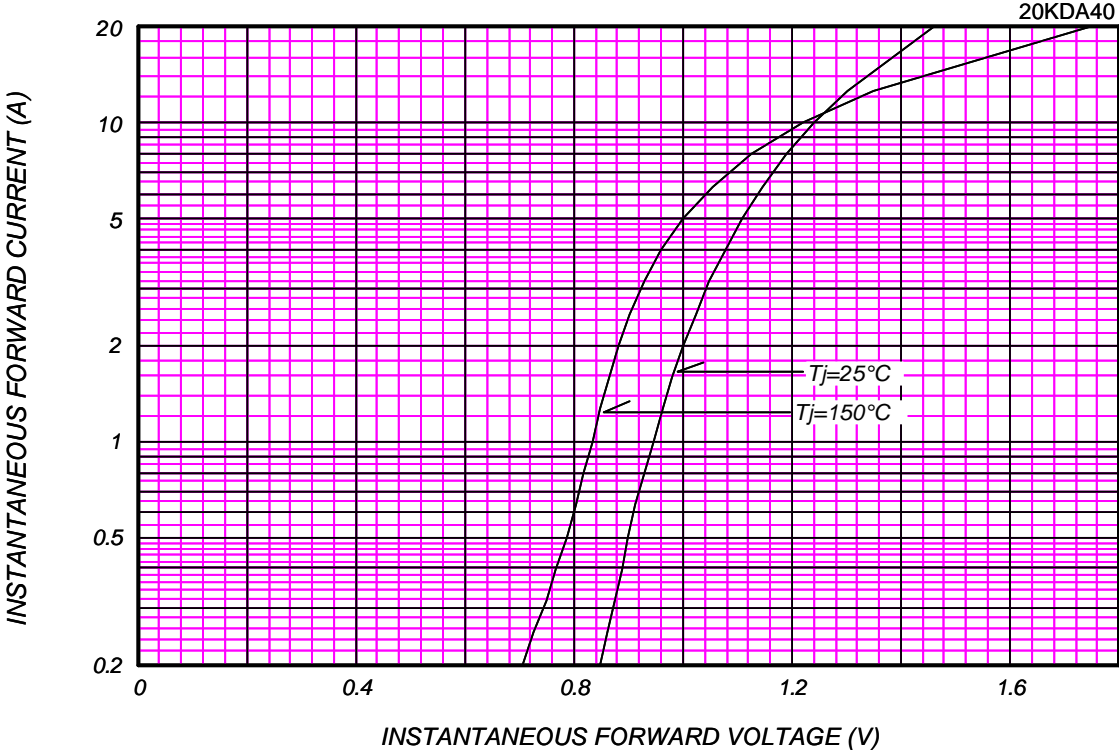
Characteristics	Symbol	Conditions	Min.	Typ.	Max.	Unit
Peak Reverse Current	$I_{RM}$	Tj= 25°C, $V_{RM}= V_{RRM}$	-	-	10	μA
Peak Forward Voltage	$V_{FM}$	Tj= 25°C, $I_{FM}= 2.0A$	-	-	1.0	V
Thermal Resistance	Rth(j-a)	Junction to Ambient *1	-	-	70	°C/W
	Rth(j-l)	Junction to Lead	-	-	17	

\*1: Without Fin or P.C. Board mounted (L=8mm, Print Land=15 x 15mm, Both Sides)

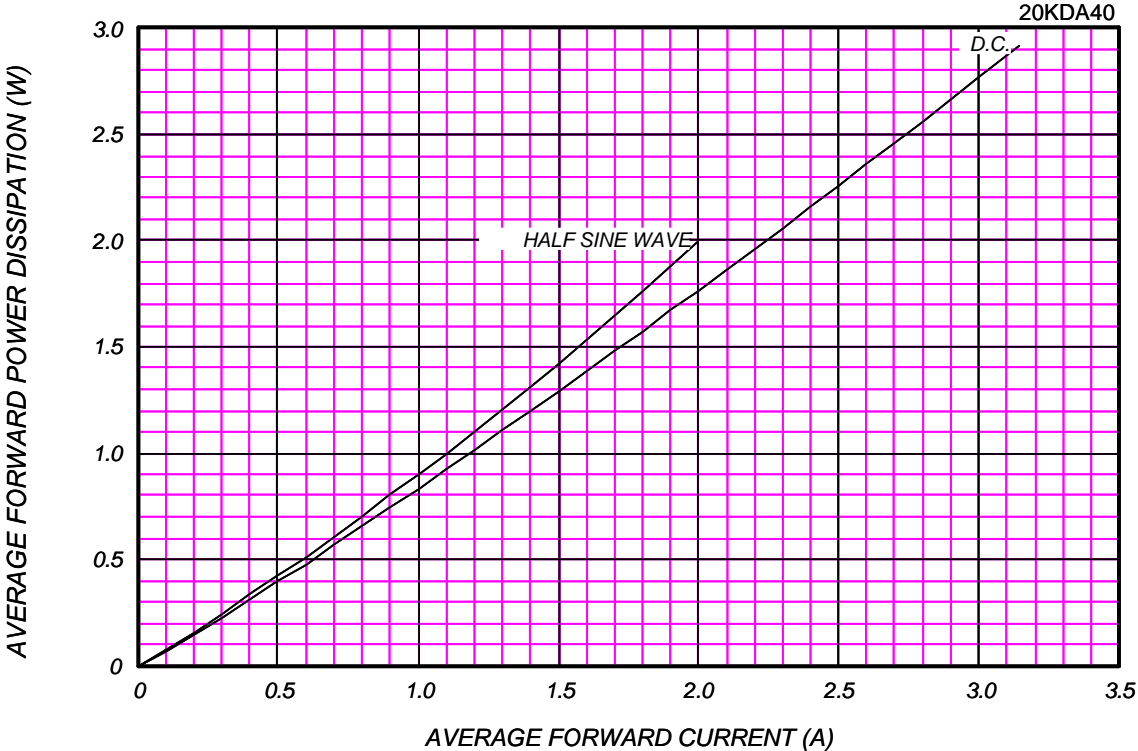
20KDA OUTLINE DRAWING (Dimensions in mm)



FORWARD CURRENT VS. VOLTAGE



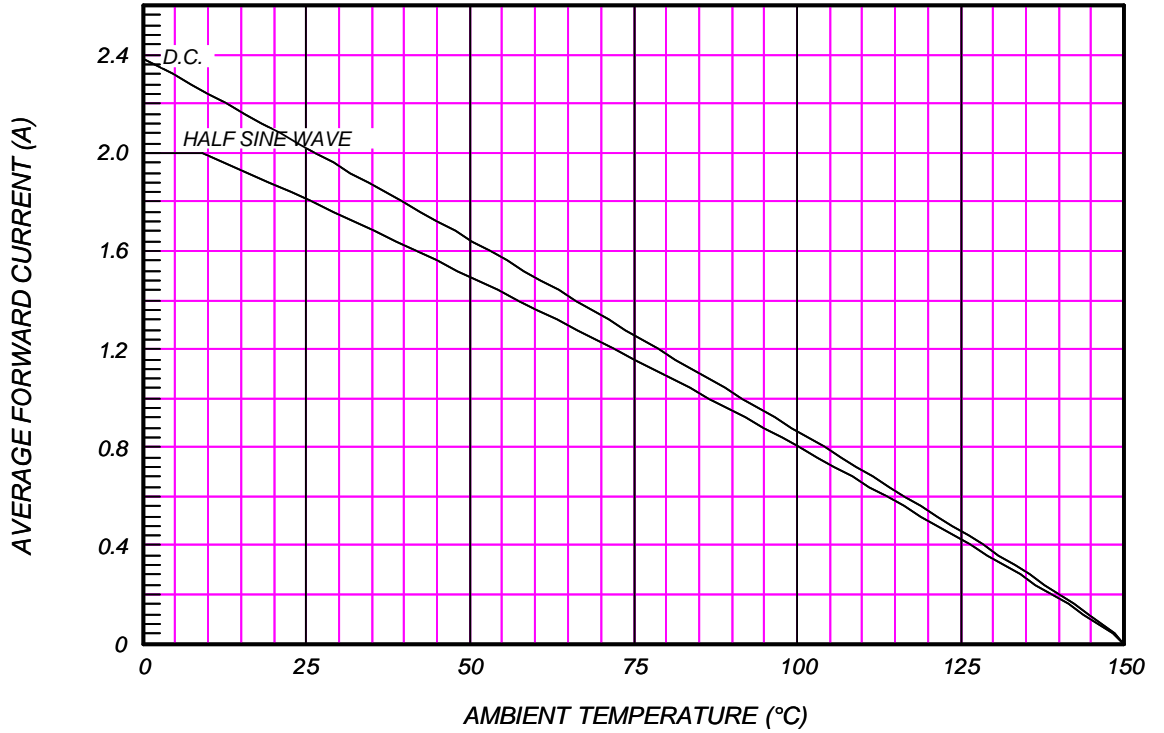
AVERAGE FORWARD POWER DISSIPATION



### AVERAGE FORWARD CURRENT VS. AMBIENT TEMPERATURE

P.C. Board mounted (L=8mm,Print Land=15x15mm,Both Sides)

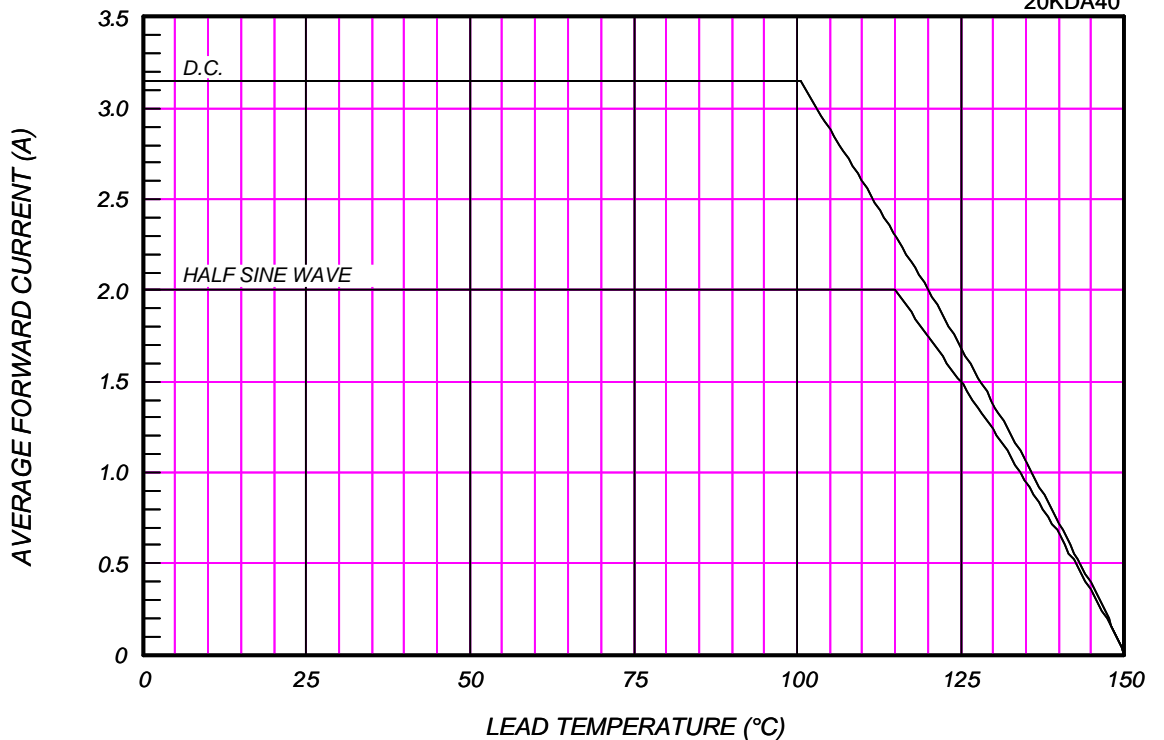
20KDA40



### AVERAGE FORWARD CURRENT VS. LEAD TEMPERATURE

( $R_{th(j-l)}=17C/W$ )

20KDA40



# SURGE CURRENT RATINGS

f=50Hz, Half Sine Wave, Non-Repetitive, No Load

20KDA40

