

# SHINDENGEN

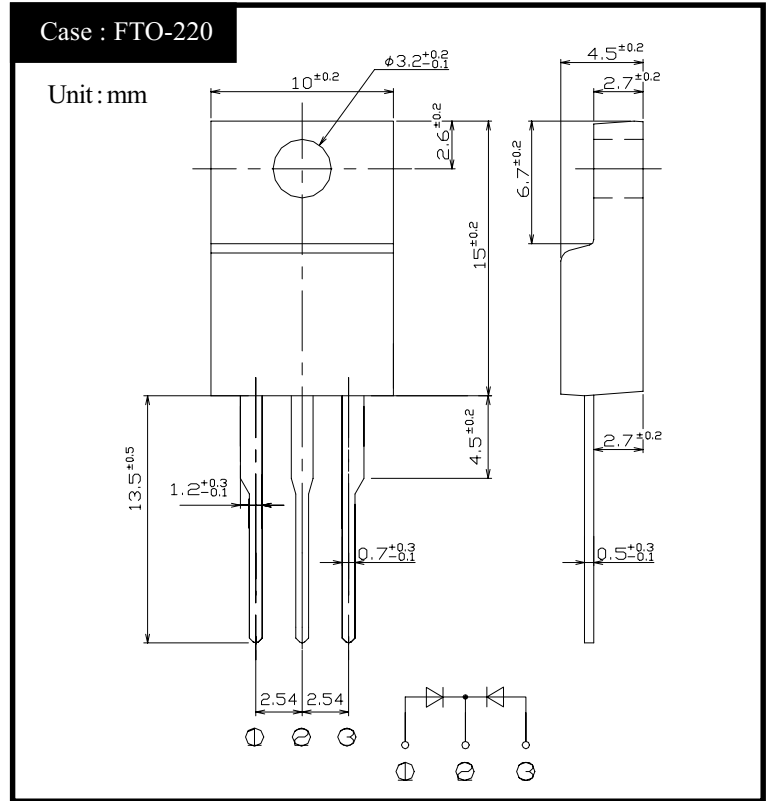
## Schottky Rectifiers (SBD)

Dual

# SF15JC10

## 100V 15A

### OUTLINE DIMENSIONS



### RATINGS

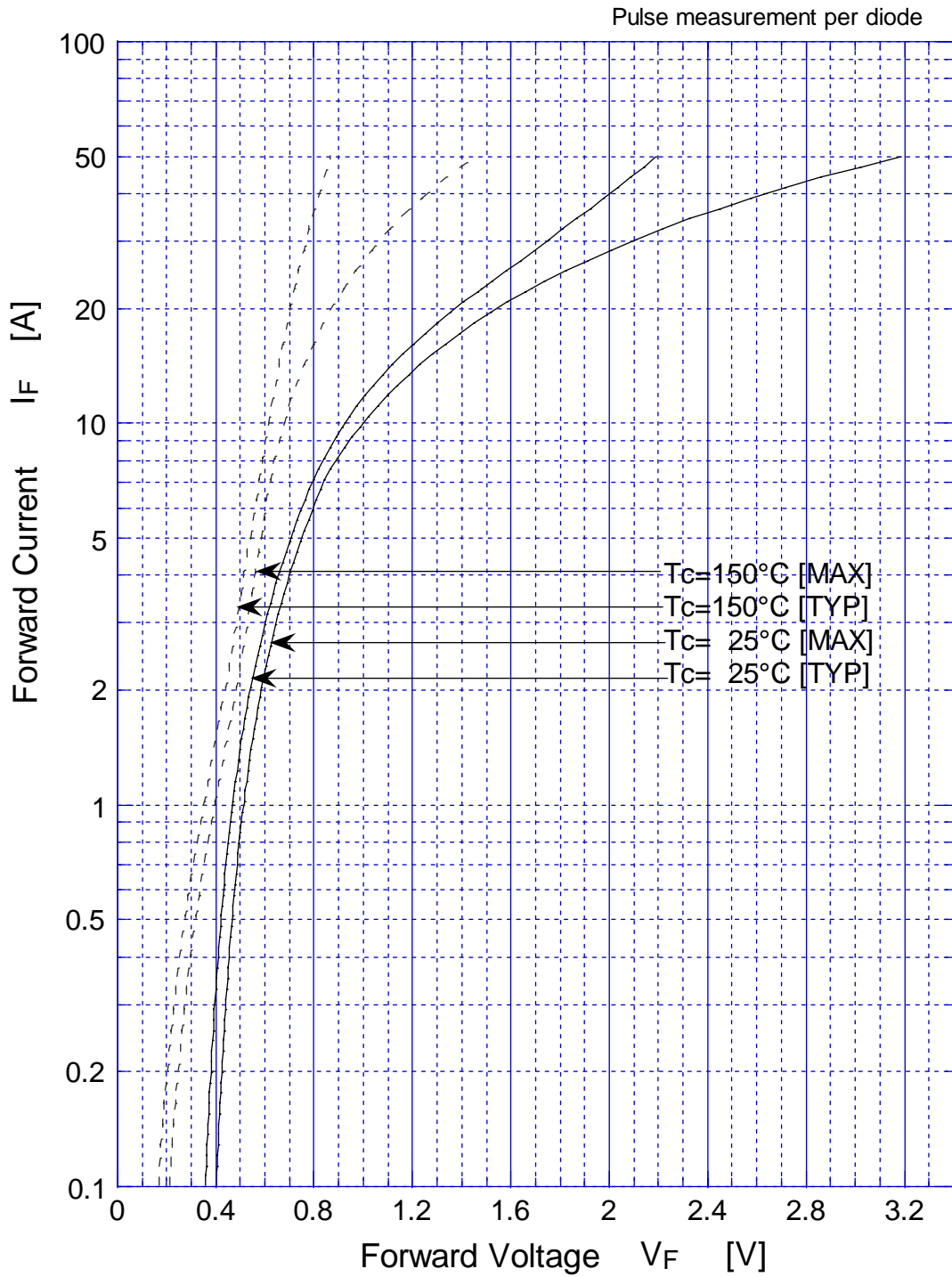
#### ● Absolute Maximum Ratings ( If not specified, Tc=25°C)

Item	Symbol	Conditions	Ratings	Unit
Storage Temperature	Tstg		-55~150	°C
Operating Junction Temperature	Tj		150	°C
Maximum Reverse Voltage	V <sub>RM</sub>		100	V
Average Rectified Forward Current	I <sub>O</sub>	50Hz sine wave, R-load, Rating for each diode I <sub>O</sub> /2, Tc=124°C	15	A
Peak Surge Forward Current	I <sub>FSM</sub>	50Hz sine wave, Non-repetitive 1 cycle peak value, Tj=25°C	150	A
Dielectric Strength	V <sub>dis</sub>	Terminals to case, AC 1 minute	2.0	kV
Mounting Torque	TOR	(Recommended torque : 0.3N·m)	0.5	N·m

#### ● Electrical Characteristics ( If not specified, Tc=25°C)

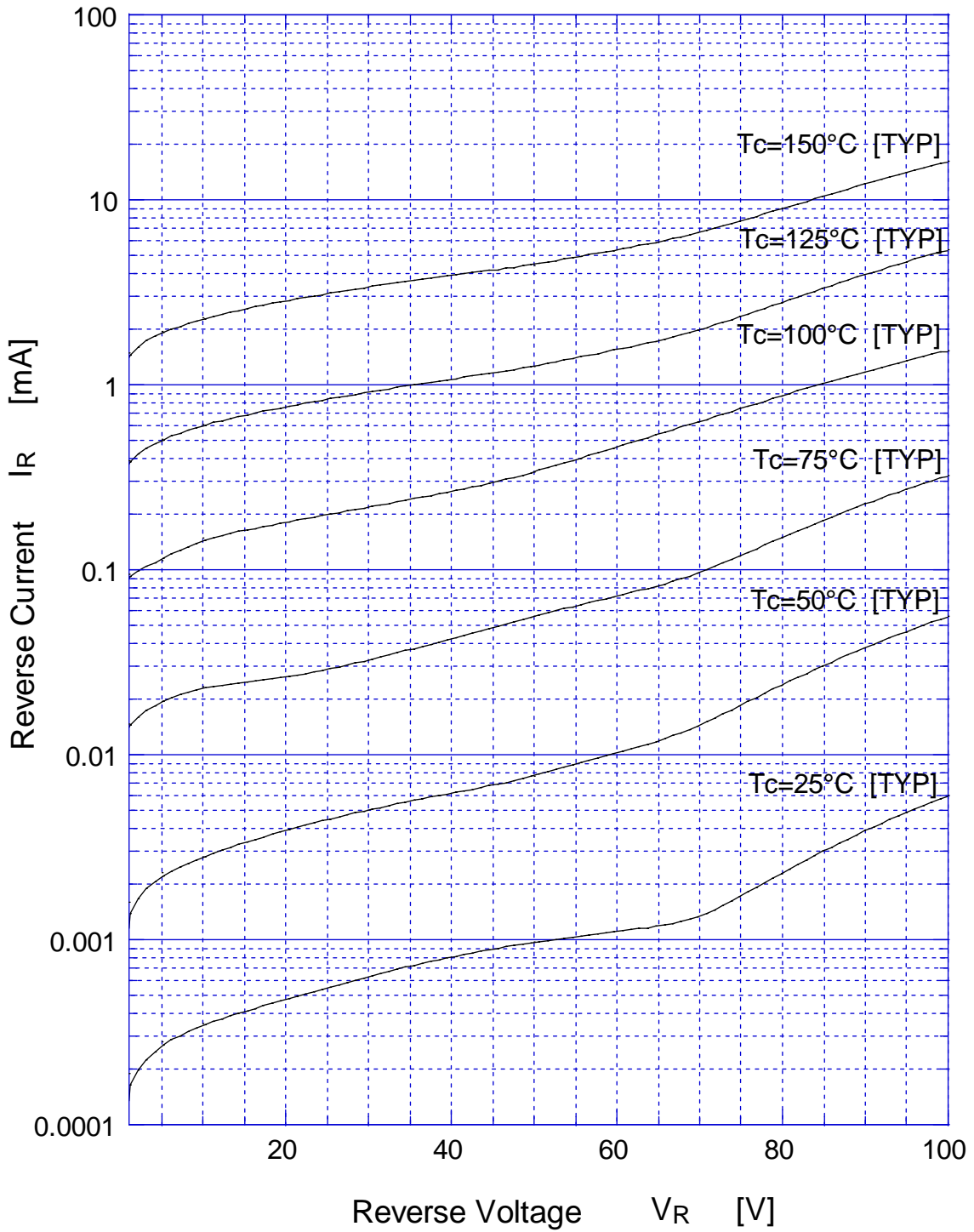
Item	Symbol	Conditions	Ratings	Unit
Forward Voltage	V <sub>F</sub>	I <sub>F</sub> =7.5A, Pulse measurement, Rating of per diode	Max 0.86	V
Reverse Current	I <sub>R</sub>	V <sub>R</sub> =V <sub>RM</sub> , Pulse measurement, Rating of per diode	Max 0.6	mA
Junction Capacitance	C <sub>j</sub>	f=1MHz, V <sub>R</sub> =10V, Rating of per diode	Typ 200	pF
Thermal Resistance	θ <sub>jc</sub>	junction to case	Max 2.0	°C/W

# SF15JC10 Forward Voltage

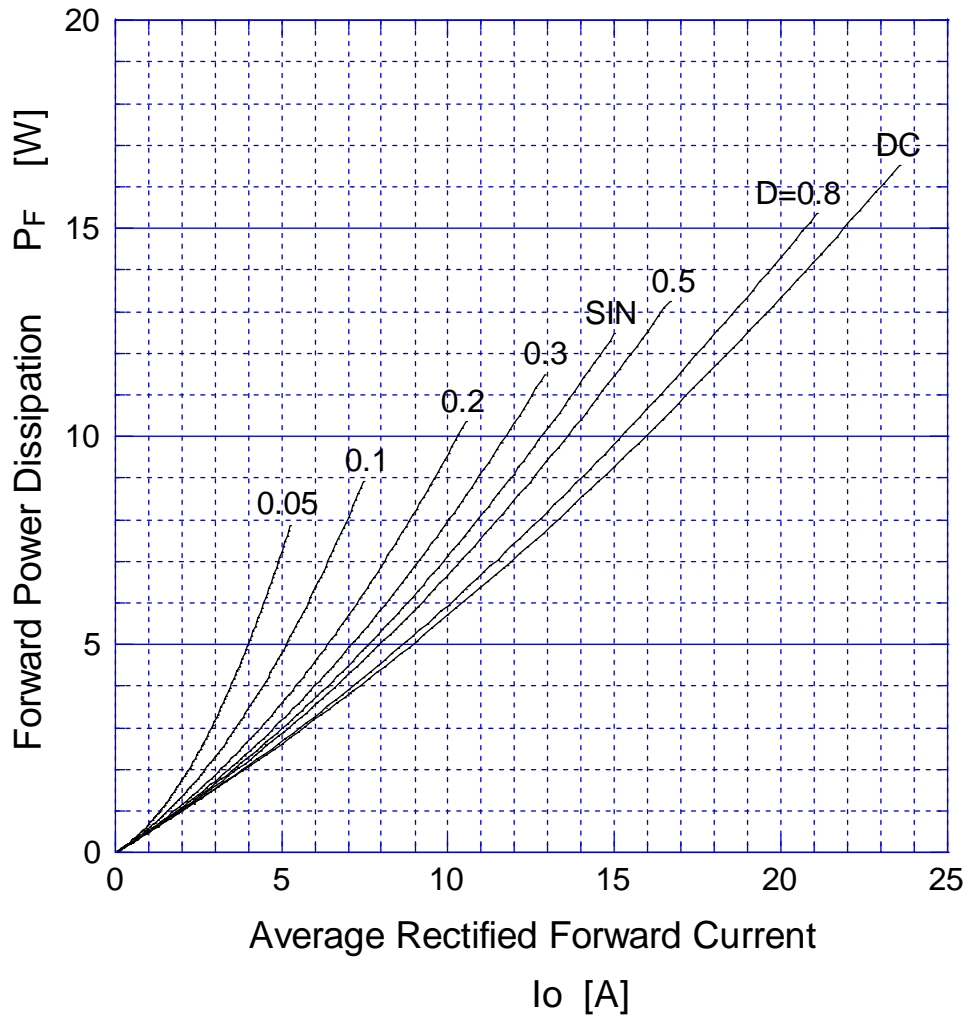


# SF15JC10 Reverse Current

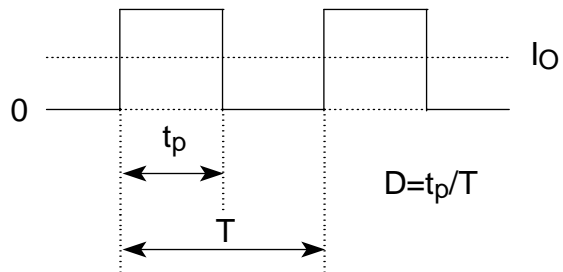
Pulse measurement per diode



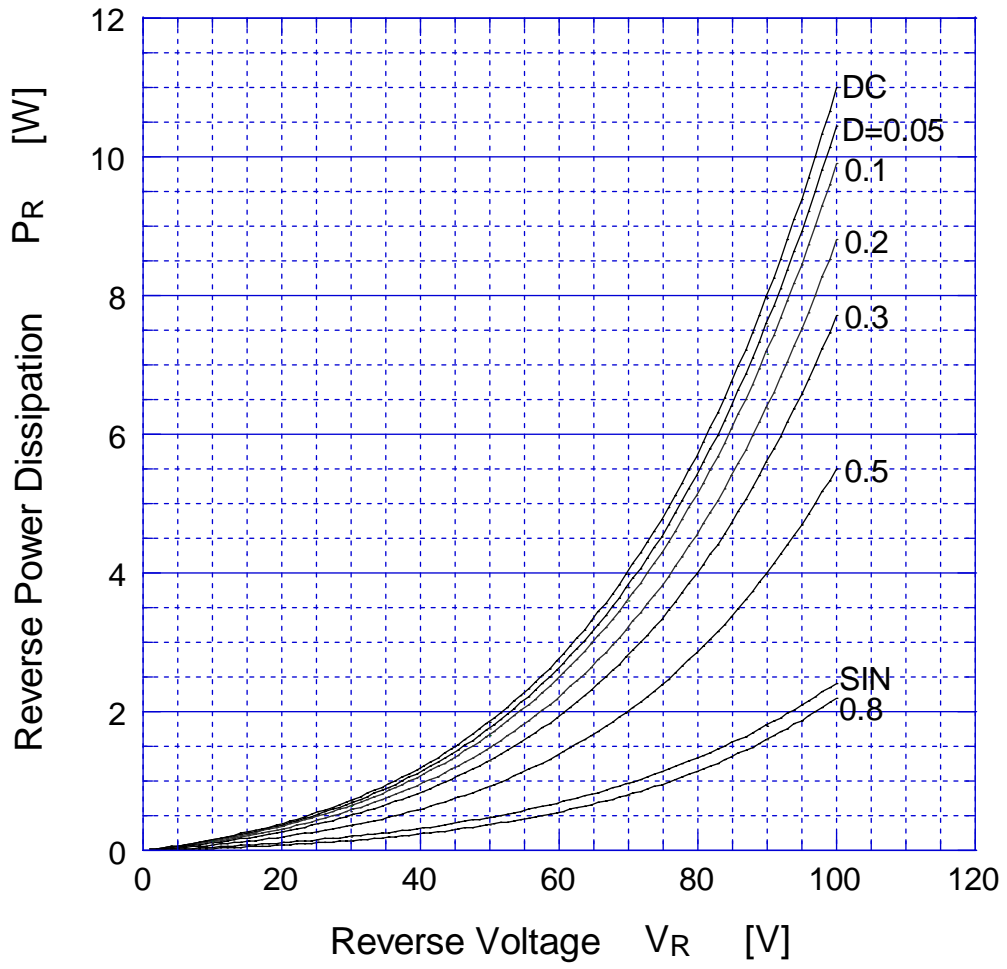
# SF15JC10 Forward Power Dissipation



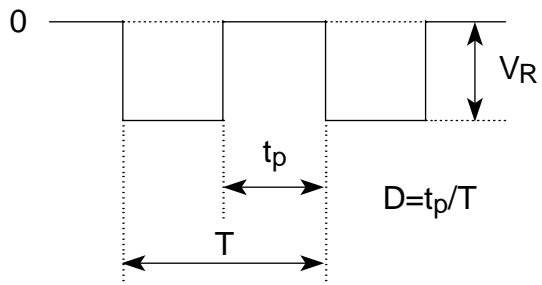
$T_j = 150^\circ\text{C}$



# SF15JC10 Reverse Power Dissipation

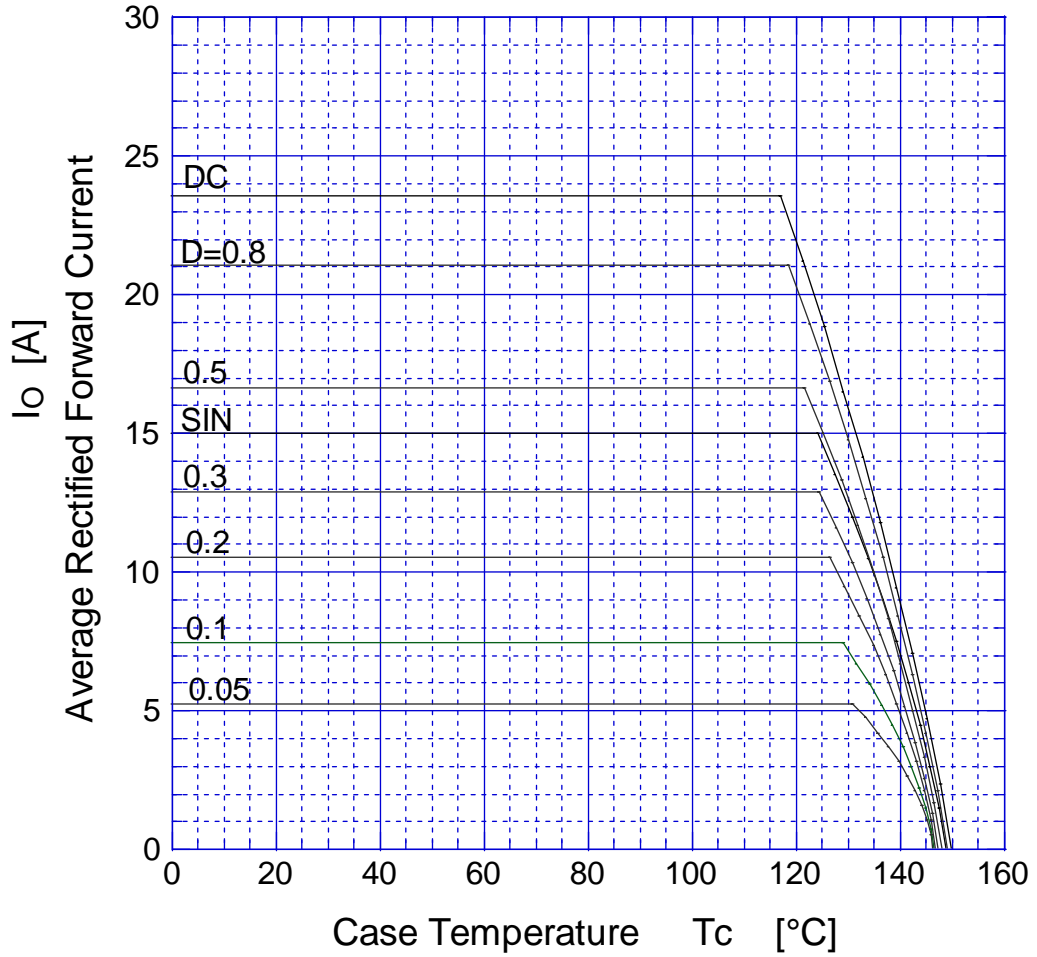


$T_j = 150^\circ\text{C}$

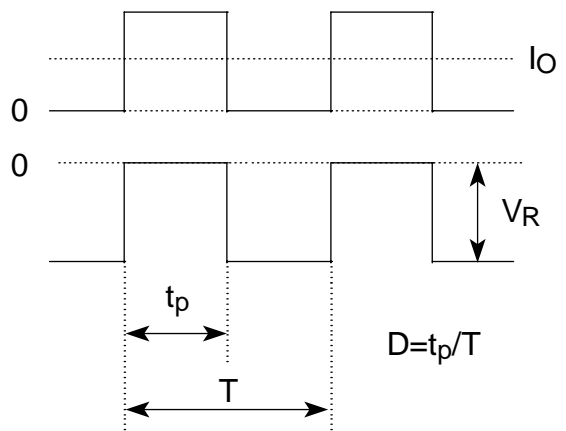


# SF15JC10

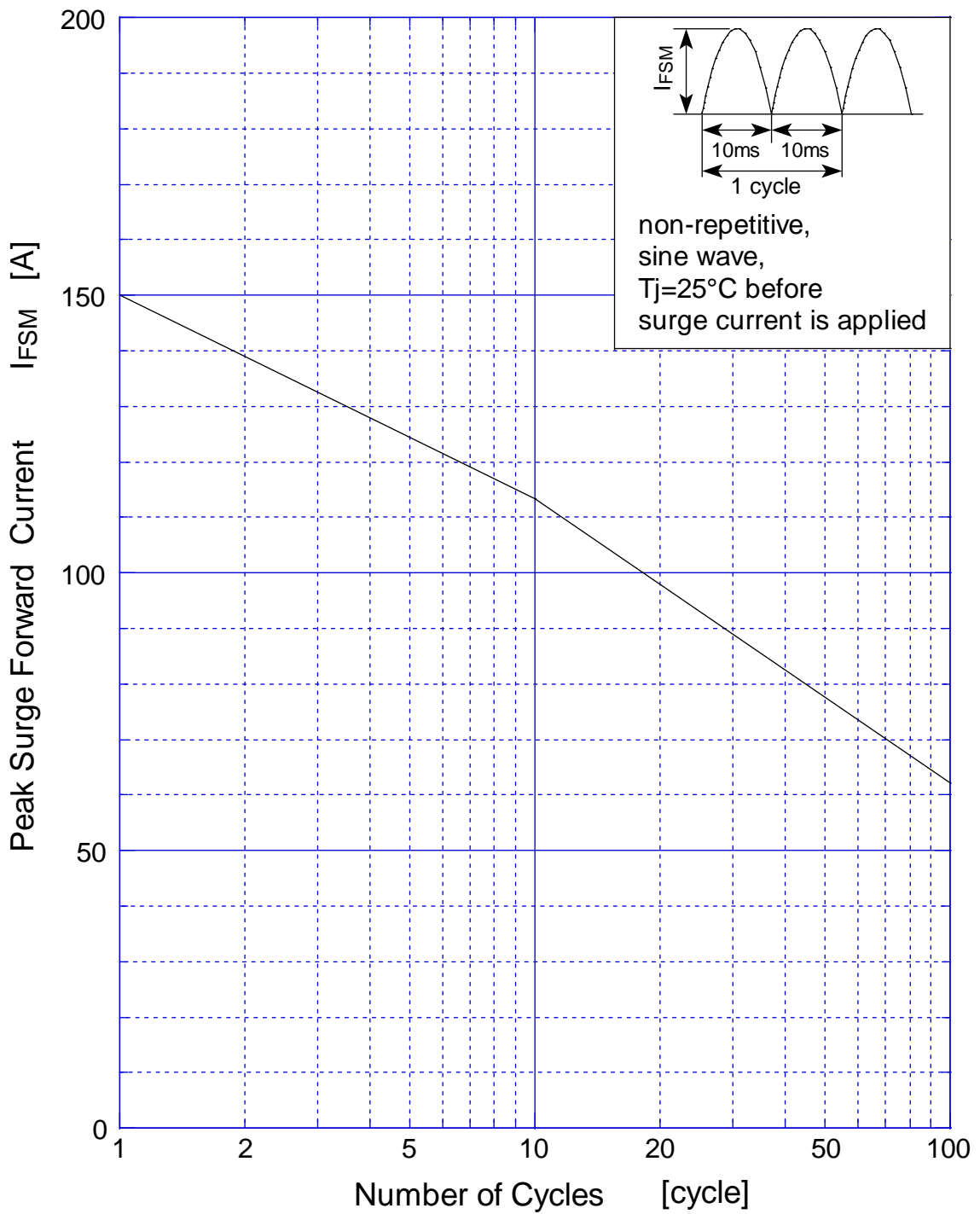
# Derating Curve



$V_R = 50V$



# SF15JC10 Peak Surge Forward Capability



# SF15JC10 Junction Capacitance

