

GERMANIUM POWER TRANSISTORS

Type Number	Case Type	V_{CBO} V	V_{CEO} V	V_{EBO} V	V_{CER} V	V_{CES} V	CURRENT GAIN				SATURATION VOLTAGES			θ_{j-c} °C/W	
							Min.	h_{FE} Max.	$V_{CE} @ I_c$ V	$I_c @ I_b$ A	$V_{CE(sat)}$ V	$V_{BE(sat)}$ V	$I_c @ I_b$ A		
60 AMP GERMANIUM PNP (Cont.)															
SDT1909	MT-23	60	45				15		2.0	50.0	.45	1.25	50.0	5.000	.60
SDT1910	MT-23	40	30				15		2.0	50.0	.45	1.25	50.0	5.000	.60
SDT2008	MT-22	80	60				15		2.0	50.0	.45	1.25	50.0	5.000	.60
SDT2009	MT-22	60	45				15		2.0	50.0	.45	1.25	50.0	5.000	.60
SDT2010	MT-22	40	30				15		2.0	50.0	.45	1.25	50.0	5.000	.60
2N4276	TO-3	30	20	20		30	60	180	2	15	.30	1.0	60.0	6.000	.50
2N4277	TO-3	30	20	20		30	80	240	2	15	.30	1.0	60.0	6.000	.50
2N4278	TO-3	45	30	25		45	60	180	2	15	.30	1.0	60.0	6.000	.50
2N4279	TO-3	45	30	25		45	80	240	2	15	.30	1.0	60.0	6.000	.50
2N4280	TO-3	60	45	30		60	60	180	2	15	.30	1.0	60.0	6.000	.50
2N4281	TO-3	60	45	30		60	80	240	2	15	.30	1.0	60.0	6.000	.50
2N4282	TO-3	75	60	40		75	60	180	2	15	.30	1.0	60.0	6.000	.50
2N4283	TO-3	75	60	40		75	80	240	2	15	.30	1.0	60.0	6.000	.50

65 AMP GERMANIUM PNP Observe (-) Negative Polarity															
Type Number	Case Type	V_{CBO} V	V_{CEO} V	V_{EBO} V	V_{CER} V	V_{CES} V	Min.	h_{FE} Max.	$V_{CE} @ I_c$ V	$I_c @ I_b$ A	$V_{CE(sat)}$ V	$V_{BE(sat)}$ V	$I_c @ I_b$ A	θ_{j-c} °C/W	
2N2730	TO-68	80	60	30			15		2.0	65.0	.45	2.00	65.0	6.500	.50
2N2731	TO-68	60	45	30.0			15		2.0	65.0	.45	2.00	65.0	6.500	.50
2N2732	TO-68	40	30	20.0			15		2.0	65.0	.45	2.00	65.0	6.500	.50
2N2733	MT-23	80	60	30.0			15		2.0	65.0	.45	2.00	65.0	6.500	.60
2N2734	MT-23	60	45	30.0			15		2.0	65.0	.45	2.00	65.0	6.500	.60
2N2735	MT-23	40	30	20.0			15		2.0	65.0	.45	2.00	65.0	6.500	.60
2N2736	MT-22	80	60	30.0			15		2.0	65.0	.45	2.00	65.0	6.500	.60
2N2737	MT-22	60	45	30.0			15		2.0	65.0	.45	2.00	65.0	6.500	.60
2N2738	MT-22	40	30	20.0			15		2.0	65.0	.45	2.00	65.0	6.500	.60
SDT1860	TO-68	80	60				20		2.0	65.0	.30	1.25	65.0	6.500	.50
SDT1861	TO-68	60	45				20		2.0	65.0	.30	1.25	65.0	6.500	.50
SDT1862	TO-68	40	30				20		2.0	65.0	.30	1.25	65.0	6.500	.50
SDT1960	MT-23	80	60				20		2.0	65.0	.30	1.25	65.0	6.500	.50
SDT1961	MT-23	60	45				20		2.0	65.0	.30	1.25	65.0	6.500	.50
SDT1962	MT-23	40	30				20		2.0	65.0	.30	1.25	65.0	6.500	.50

Type Number	Case Type	V_{CBO} V	V_{CEO} V	V_{EBO} V	V_{CER} V	V_{CES} V	Min.	h_{FE} Max.	$V_{CE} @ I_c$ V	$I_c @ I_b$ A	$V_{CE(sat)}$ V	$V_{BE(sat)}$ V	$I_c @ I_b$ A	θ_{j-c} °C/W	
100 AMP GERMANIUM PNP Observe (-) Negative Polarity TO-68															
SC100	TO-68	30	20	15		30	80	160	2.0	25	0.3	1.0	100	10	0.45
SC101	TO-68	30	20	15		30	125	250	2.0	25	0.3	1.0	100	10	0.45
SC102	TO-68	45	30	20		45	80	160	2.0	25	0.3	1.0	100	10	0.45
SC103	TO-68	45	30	20		45	125	250	2.0	25	0.3	1.0	100	10	0.45
SC104	TO-68	60	45	25		60	80	160	2.0	25	0.3	1.0	100	10	0.45
SC105	TO-68	60	45	25		60	125	250	2.0	25	0.3	1.0	100	10	0.45

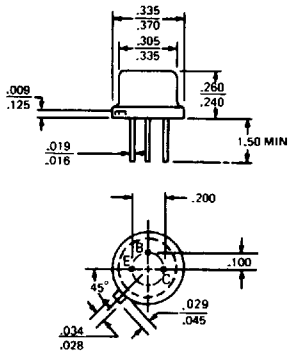
See Curves on Page 17

Type Number	I_c Max Amps.	V_{CEO} @ I_c V @ A	V_{CBO} @ I_{CBO} V @ ma	h_{FE} @ I_c A	V_{EBO} @ I_{EBO} V @ ma	$V_{CE(sat)}$ @ I_c V @ A	V_{BE} V	f_{α} KHz	Thermal Res. °C/W					
15-25 AMP TO-3 (except Emitter Pin Dia. .038 to .063) HIGH POWER														
DTG-110B	25	40	5	90	20	65/300	1.0	2.0	100	0.5	5.0	.33	850	.08
DTG-600	25	50	5	75	20	50/	5.0	1.0	100	0.75	25.0	1.4	850	1.0
DTG-601	25	60	5	75	20	50/	5.0	1.0	100	0.75	25.0	1.4	850	1.0
DTG-602	25	70	5	90	20	50/	5.0	1.0	100	0.75	25.0	1.4	850	1.0
DTG-603	25	80	5	90	20	50/	5.0	1.0	100	0.75	25.0	1.4	850	1.0
DTG-1010	15	110	5	325	10			1.0	200	0.5	12	1.0	250	0.8
DTG-1110	15	80	8	200	15			1.0	100	0.5	10	1.0	450	0.8
DTG-1200	15	120	8	120	10	22.5/	8.0	1.0	200	0.5	12	1.0	250	0.8
DTG-2000	25	30	8	60	10	25	8.0	1.0	200	0.9	25	1.0	250	0.8
DTG-2100	25	60	8	80	10	25	8.0	1.0	200	0.9	25	1.0	250	0.8
DTG-2200	25	80	8	100	10	25	8.0	1.0	200	0.9	25	1.0	250	0.8
DTG-2300	25	100	8	120	10	25	8.0	1.0	200	0.9	25	1.0	250	0.8
DTG-2400	25	120	8	140	10	25	8.0	1.0	200	0.9	25	1.0	250	0.8
DTG-2400M	25	120	10	140	10	25/125	10.0	1.5	500	0.9	25	1.0	250	1.0

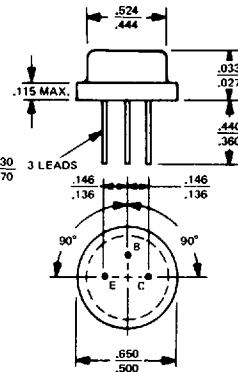
GERMANIUM POWER TRANSISTORS

CASE OUTLINE DRAWINGS & DIMENSIONS

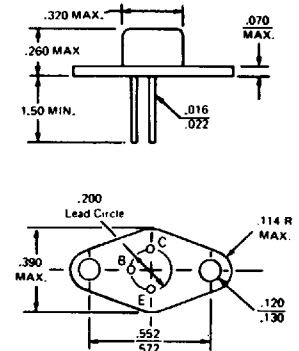
TO-5



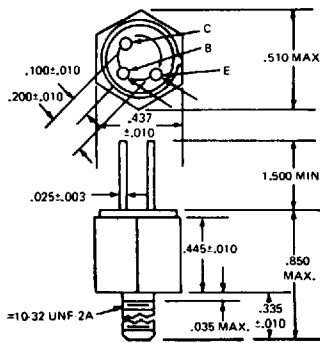
TO-8



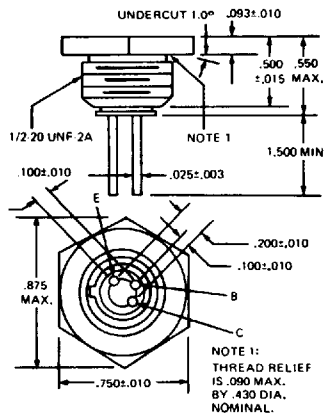
TO-37



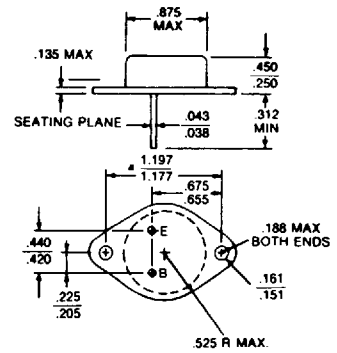
MT-27



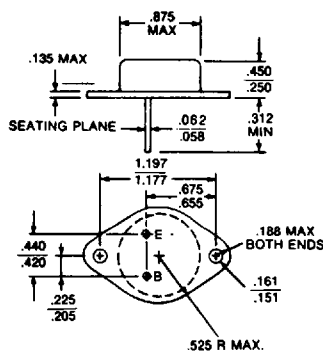
MT-28



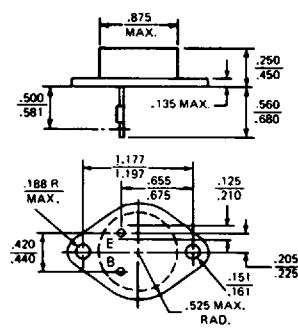
TO-3



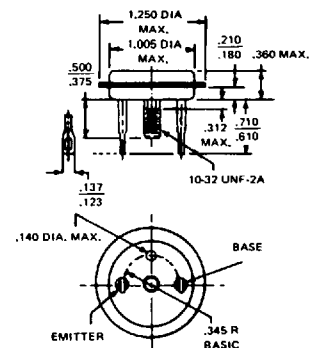
**MODIFIED TO-3
(60 mil pins)**



TO-41



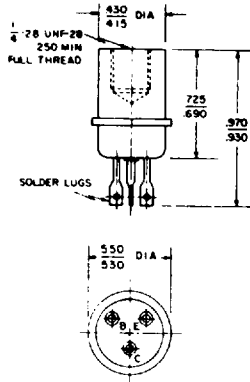
TO-36



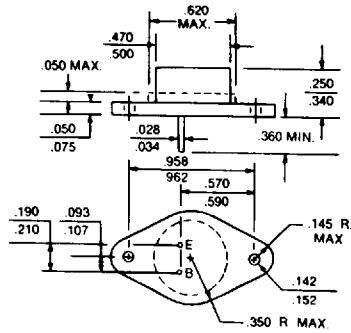
GERMANIUM POWER TRANSISTORS

CASE OUTLINE DRAWINGS & DIMENSIONS

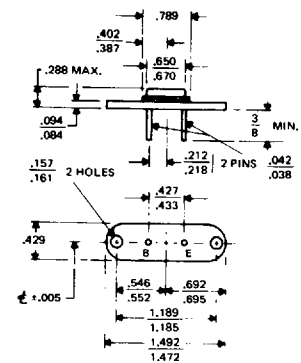
TO-13



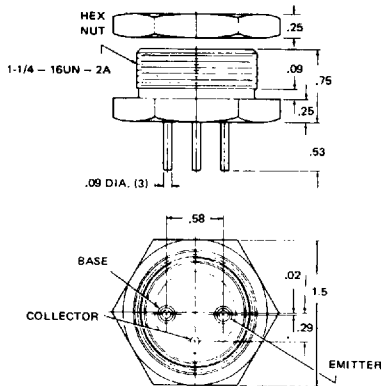
TO-66



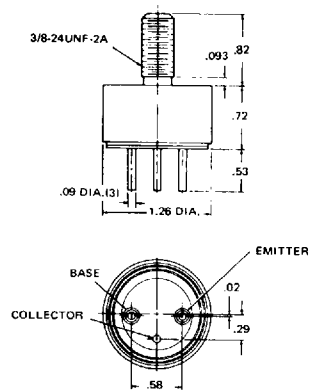
MS-7



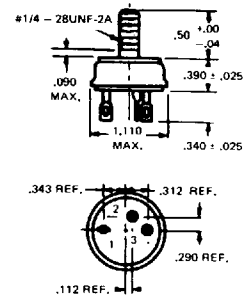
MT-22



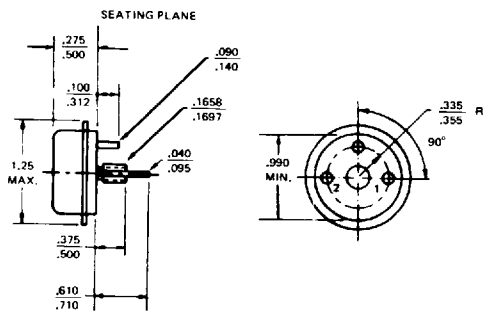
MT-23



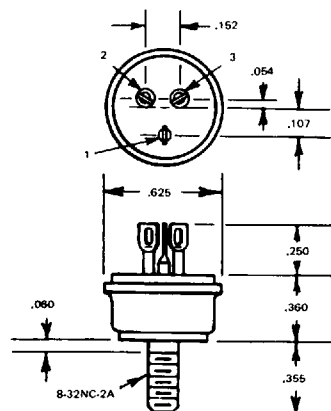
MT-7



TO-68



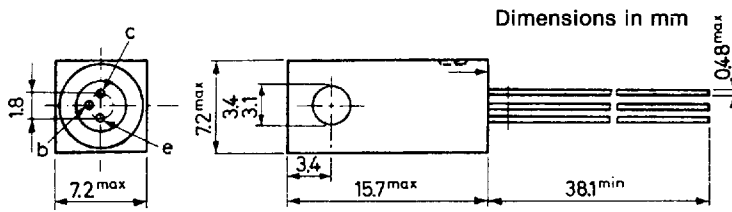
MT-36



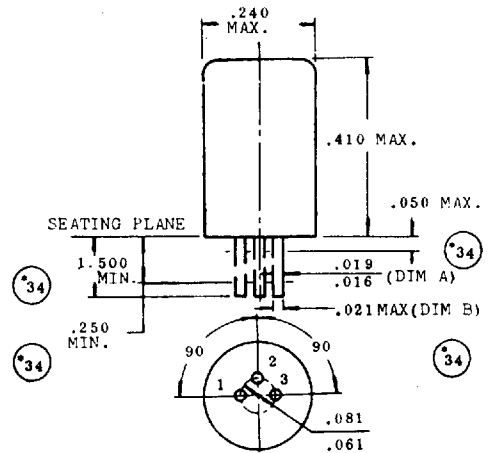
GERMANIUM POWER TRANSISTORS

CASE OUTLINE DRAWINGS & DIMENSIONS

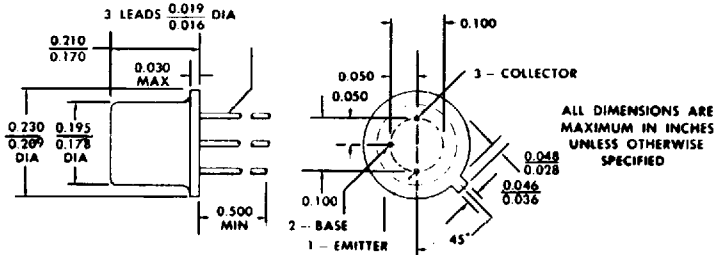
NS257



TO-1



TO-18



THE COLLECTOR IS ELECTRICAL CONTACT WITH THE CASE.

ALL JEDEC TO-18 DIMENSIONS AND NOTES ARE APPLICABLE.



GERMANIUM POWER DEVICES CORP.

300 Brickstone Square · York Street · P.O. Box 3065
Shawsheen Village Station · Andover, Massachusetts 01810
Telephone (508) 475-5982 · FAX (508) 470-1512

26

Printed in U.S.A.

■ 3947375 0000689 52T ■

54134