

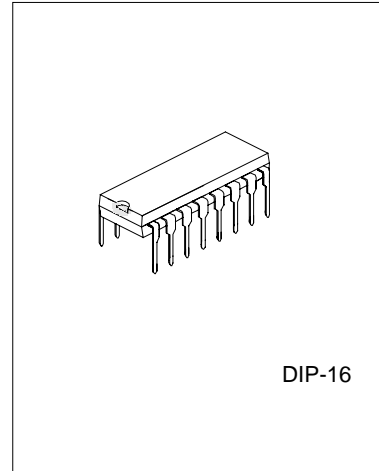
6 KEYS SIREN/ALARM SOUND GENERATOR

DESCRIPTION

The UTC 1618 is a CMOS design for 6 different alarm sounds application. According to the priority of the select keys, the sound of UTC 1618 will be generated in cycling sequence.

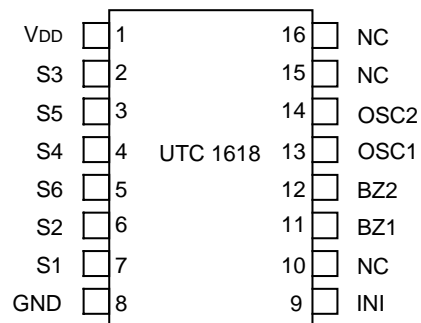
FEATURES

- *Auto power off function , reduce power consumption.
- * Low operating voltage: 2V ~ 5V.
- * On-chip RC oscillator.
- * 6 different sounds.
- * 6 prioritized keys for selecting 6 different sounds.
- * Low stand by current.
- * CMOS process.



* Pb-free plating product number: 1618L

PIN CONFIGURATION



PIN DESCRIPTIONS

Pin No	Symbol	I/O	Function
1	V _{DD}	-	Power supply pin (+).
2	S1	I	Sound selection keys. These keys connect with internal pull-down resistors. The sound output will be enabled when a key is connected to V _{DD} . On other hands, the sound output will be disabled if a key is N.C. or connected to GND. When two or more keys are selected in the same time, the sound will be generated in cycling sequence. According to the priority of the keys, the priority of S1~S6 list below : S1>S2>S6>S4>S5>S3.
3	S2	I	
4	S3	I	
5	S4	I	
6	S5	I	
7	S6	I	
8	GND	-	Power supply pin (-).
9	INI	I	An internal pull-up resistor. Might disable BZ1, BZ2, when connected to GND.
10	NC	-	No connecting.
11	BZ1	O	Audio output pins.
12	BZ2	O	
13	OSC1	O	Oscillator pin with external resistor.
14	OSC2	I	
15	NC	-	No connecting.
16	NC	O	No connecting.

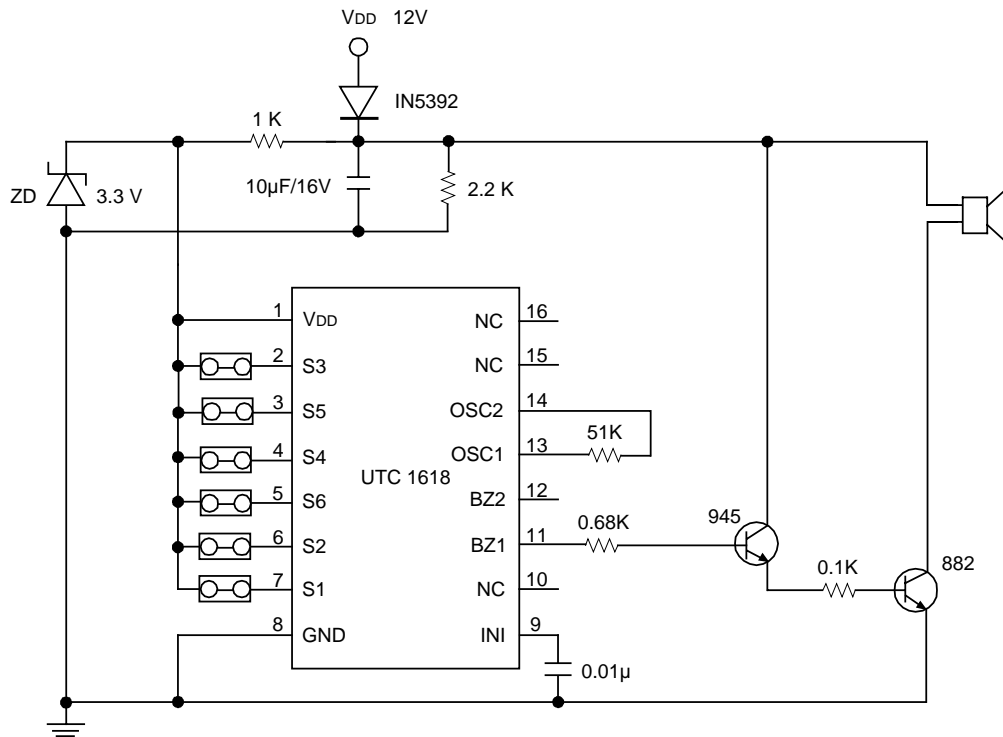
ABSOLUTE MAXIMUM RATINGS

PARAMETER	SYMBOL	RATINGS	UNIT
Supply Voltage	V _{DD}	-0.3 ~ 6	V
Input Voltage	V _i	-0.3 ~ V _{DD} +0.3	V
Output Voltage	V _o	-0.3 ~ V _{DD} +0.3	V
Operating Temperature	T _{opr}	0 ~ 65	°C
Storage Temperature	T _{stg}	-40 ~ 125	°C

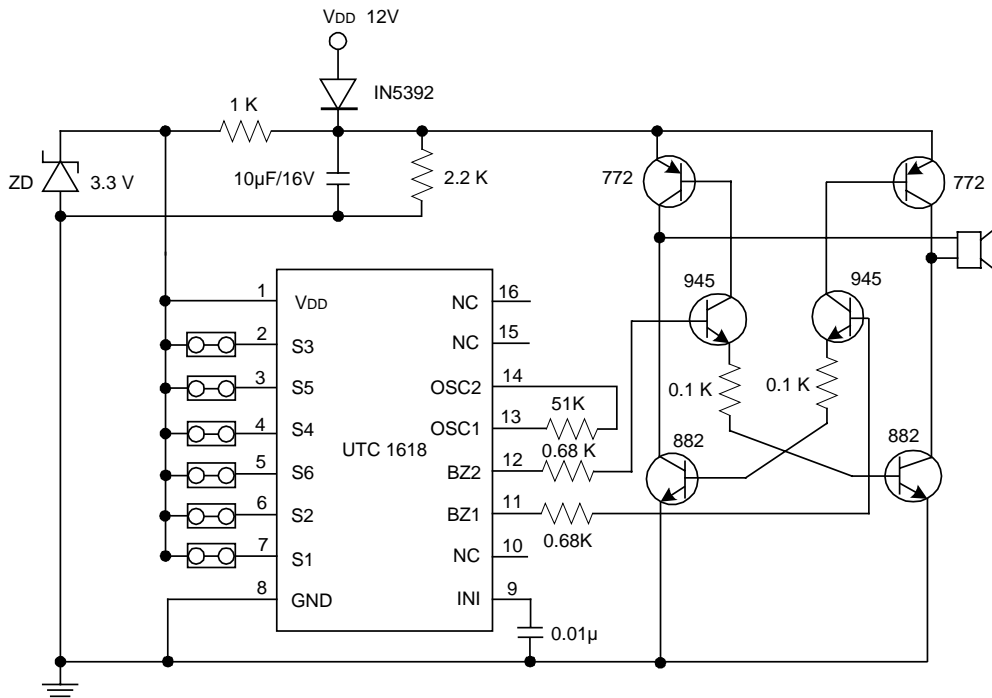
ELECTRICAL CHARACTERISTICS (Unless otherwise specified: V_{DD}=3V, T_a=25°C)

PARAMETER	SYMBOL	MIN.	TYP.	MAX.	UNIT
Operating Voltage	V _{DD}	2	3	5	V
Stand-By Current	I _{sb}		10	20	uA
Operating Current	I _{op}		300	500	uA
BZ1, BZ2 Driving Current	I _{oh}	1			mA
	I _{ol}	1			mA
Operating Frequency	F _{op}	70	80	128	K Hz

APPLICATION CIRCUIT ()



APPLICATION CIRCUIT ()



UTC assumes no responsibility for equipment failures that result from using products at values that exceed, even momentarily, rated values (such as maximum ratings, operating condition ranges, or other parameters) listed in products specifications of any and all UTC products described or contained herein. UTC products are not designed for use in life support appliances, devices or systems where malfunction of these products can be reasonably expected to result in personal injury. Reproduction in whole or in part is prohibited without the prior written consent of the copyright owner. The information presented in this document does not form part of any quotation or contract, is believed to be accurate and reliable and may be changed without notice.