

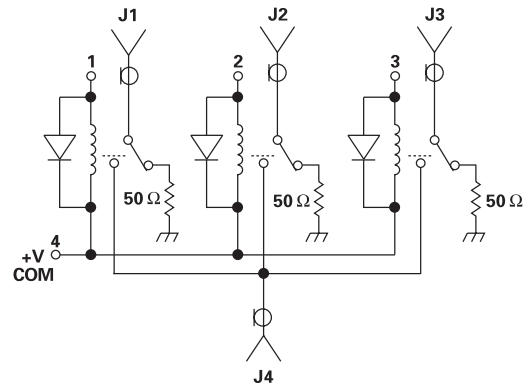
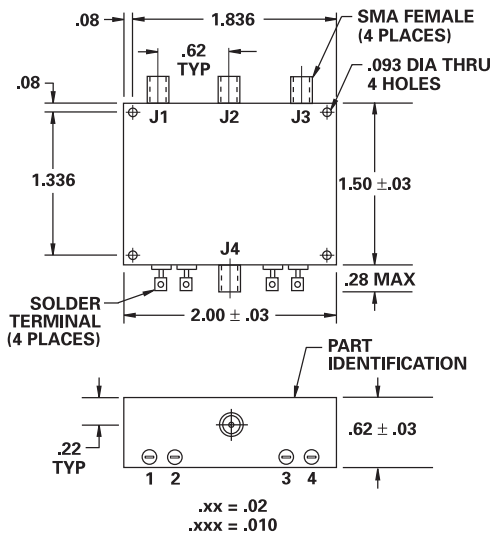
# MODEL NUMBER 100C0612

## SP3T Relay

### FEATURES

- DC-450 MHz
- 50Ω or 75Ω Terminations
- 20 Watts CW
- Non-Reflective
- SMA Connectors

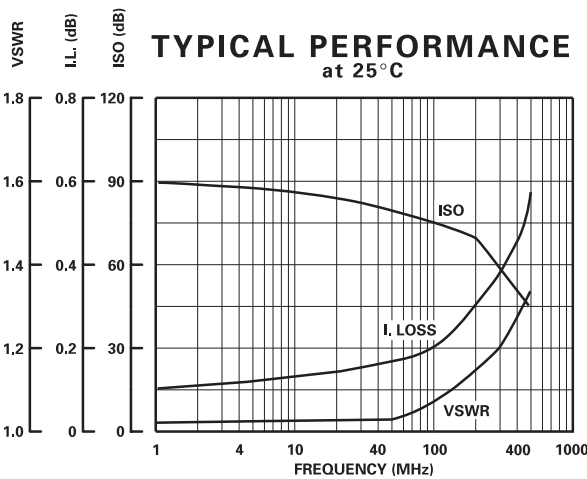
### SP3T



### GUARANTEED PERFORMANCE

Parameter	Min	Typ	Max	Units	Conditions
Operating Frequency	DC		450	MHz	
DC Voltage					See Table
Insertion Loss		0.3	0.4	dB	DC - 250 MHz
		0.5	0.6	dB	250 - 450 MHz
Isolation	60	64		dB	DC - 250 MHz
	45	52		dB	250 - 450 MHz
VSWR	Thru	1.15/1	1.2/1		DC - 250 MHz
		1.3/1	1.4/1		250 - 450 MHz
Impedance		50		OHMS	
Switching Speed			5	mSEC	
RF Power	Operate		20	W	CW
Operating Temperature	-55	+25	+85	°C	TA

### TYPICAL PERFORMANCE at 25°C



### CONTROL VOLTAGE TABLE

Voltage	Current - Typical
6	65 mA Per Throw
12	32 mA Per Throw
18	21 mA Per Throw
26	17 mA Per Throw

**PART NO. EXAMPLE**  
**100C0612 - 6 - F/S - R - 75**

- Basic Part Number
- Dash No. for coil voltage (see table).
- "F/S" for failsafe J1 to J2 omit for standard.
- R - Add for 75 Ω termination resistor. Omit for 50 Ω termination.
- 75 - For reverse polarity of diodes. Omit for standard. See schematic for standard.