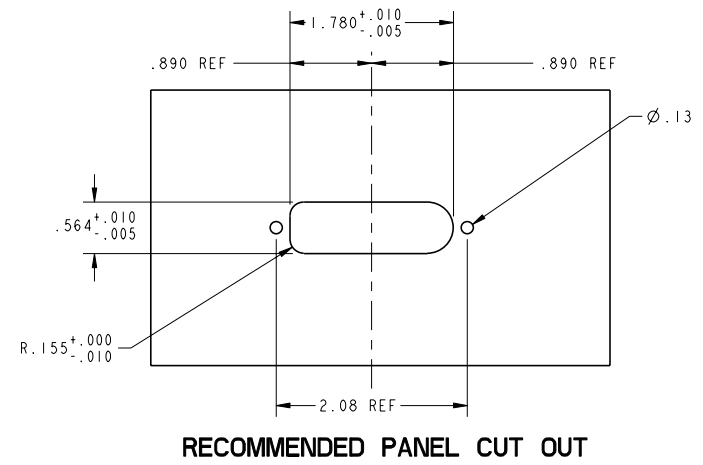
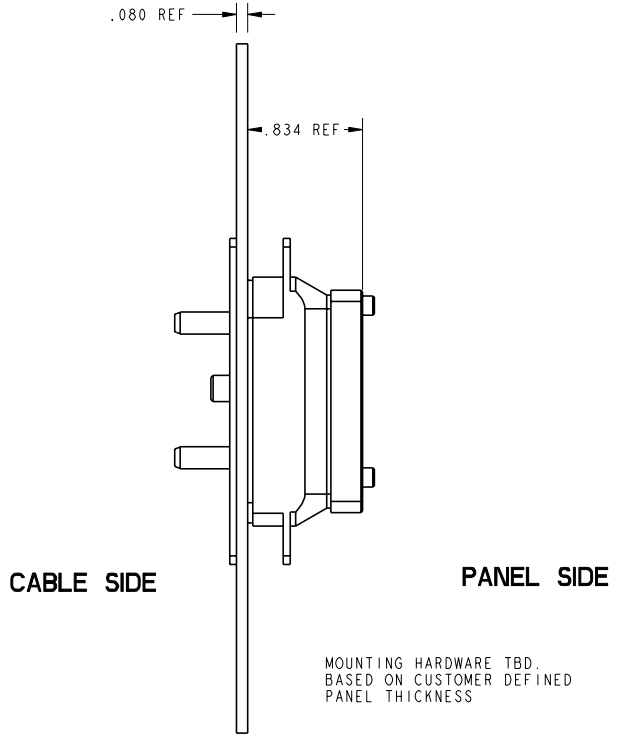
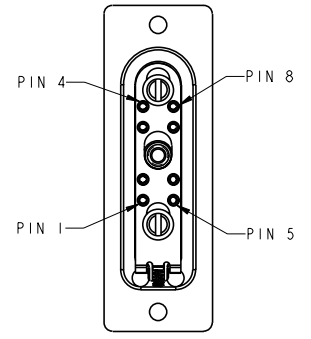
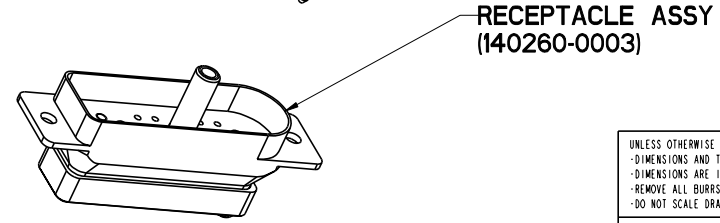
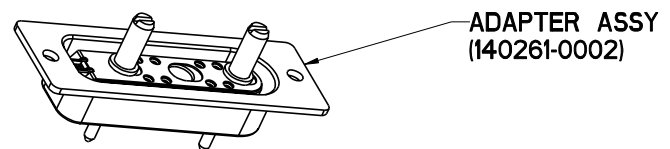
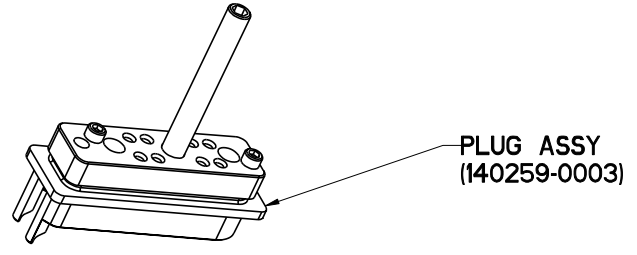
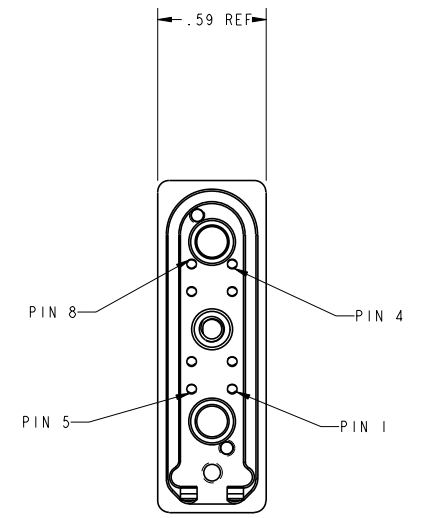
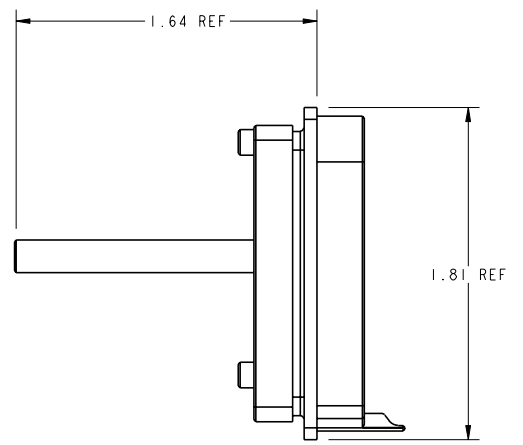


THIS IS ISSUED IN STRICT CONFIDENCE ON CONDITION THAT IT IS NOT USED AS A BASIS FOR MANUFACTURE OR SALE, AND THAT IT IS NOT COPIED, REPRINTED OR DISCLOSED TO A THIRD PARTY EITHER WHOLLY OR IN PART WITHOUT THE PRIOR WRITTEN CONSENT OF ITT CANNON.

REVISIONS			
REV	DESCRIPTION	DATE	APPROVAL



- NOTES: UNLESS OTHERWISE DESIGNATED
- A. MATERIAL: MACHINED ALUMINUM ALLOY NICKEL PLATED SHELLS
300 SERIES STAINLESS STEEL SHUTTER PLATE
GUIDE PINS, AND HARDWARE
MACHINED ALUMINUM ANODIZED BACKSHELLS
- B. DESIGN FEATURES:
1. ADAPTER ASSY, INCLUDES SHUTTER PLATE
 2. CAM-ACTION PLUG ASSY INTERFACE
 3. CENTER SCREW JACKING HARDWARE FOR MATING AND UNMATING
 4. ONE WAY MATING INTERFACE
 5. BACKSHELL: DESIGN OPTIONS, STRAIGHT, RIGHT ANGLE OR 45° FIBER EXIT NOT SHOWN.
 6. SERVICABLE INTERFACE FOR TERMINUS CLEANING
 7. INDIVIDUALLY EXTRACTABLE/REPLACEABLE TERMINUS



UNLESS OTHERWISE SPECIFIED: - DIMENSIONS AND TOLERANCES AS PER ASME Y14.5M-1994 - DIMENSIONS ARE IN INCHES AND (MM). - REMOVE ALL BURRS AND SHARP EDGES .005 (0.13) MAX. - DO NOT SCALE DRAWING.		TOL DECIMALS .X ± .02 (0.51) .XX ± .01 (0.25) .XXX ± .005 (0.127) .XXXX ± .0005 (0.0127)	TOL ANGLES ° ± 1° SURFACE ROUGHNESS 63 (1.6) ✓	CRITICAL DIM SPC DIM KEY CHARACTERISTIC
DRAWN Doug Gaslineau	DATE 2/11/02	SURFACE AREA		
CHECKED Mike Finona	DATE 2/11/02	REF		
APPROVED Jim Novacoski	DATE 2/11/02	PART NO	0205410002	
ITT Industries ITT Cannon 666 E. DYER RD, SANTA ANA, CA 92705		SCALE 3/2	DESCRIPTION ASSEMBLY 8 CHANNEL PHD, W FLANGE PATCH PANEL CONNECTOR	
3RD ANGLE PROJECTION	SIZE D	USE C	SHEET 1/1	
020541Y0002			REV 1	