

Quad ISDN U Interface Hybrid
APC13120C

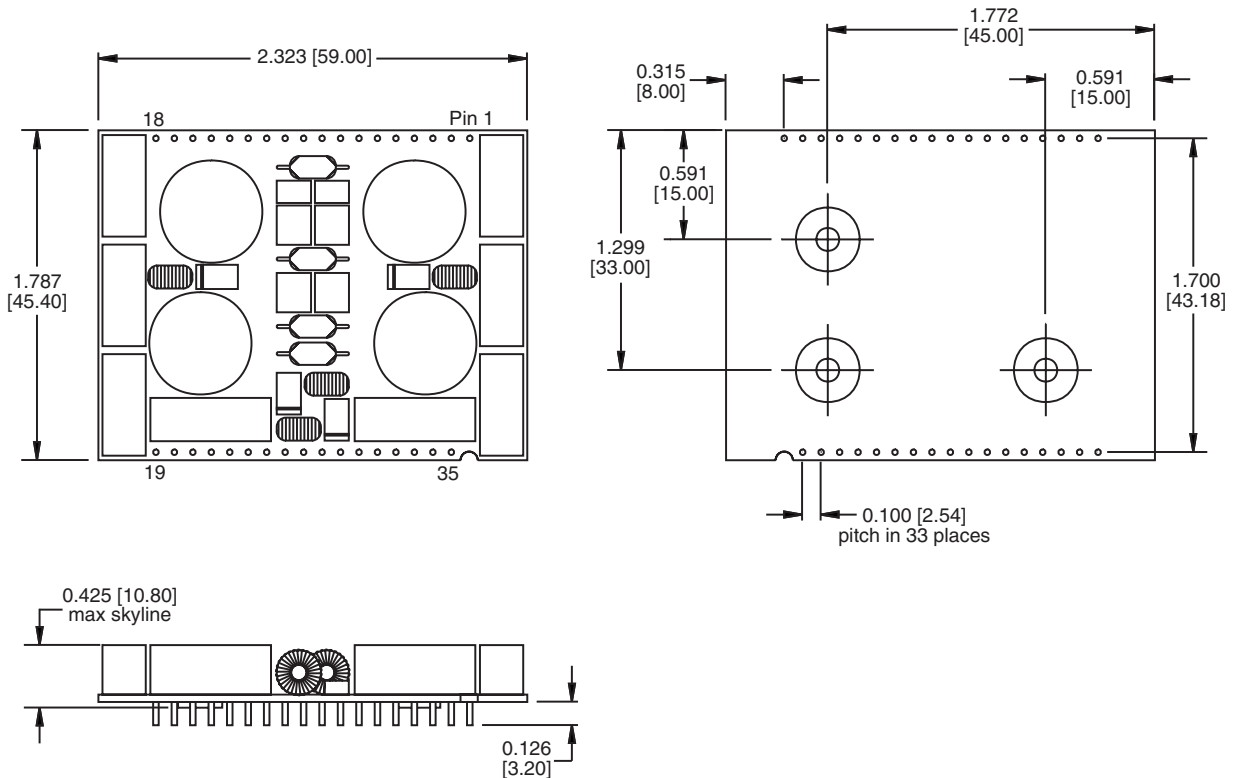
FEATURES

- Designed for Motorola Quad U interface MC145572 transceiver IC
- Designed to meet ANSI T1.601 test loops 1- 15
- “C” denotes unboxed, device is conformally coated with polyurethane

ELECTRICAL SPECIFICATIONS@25°C

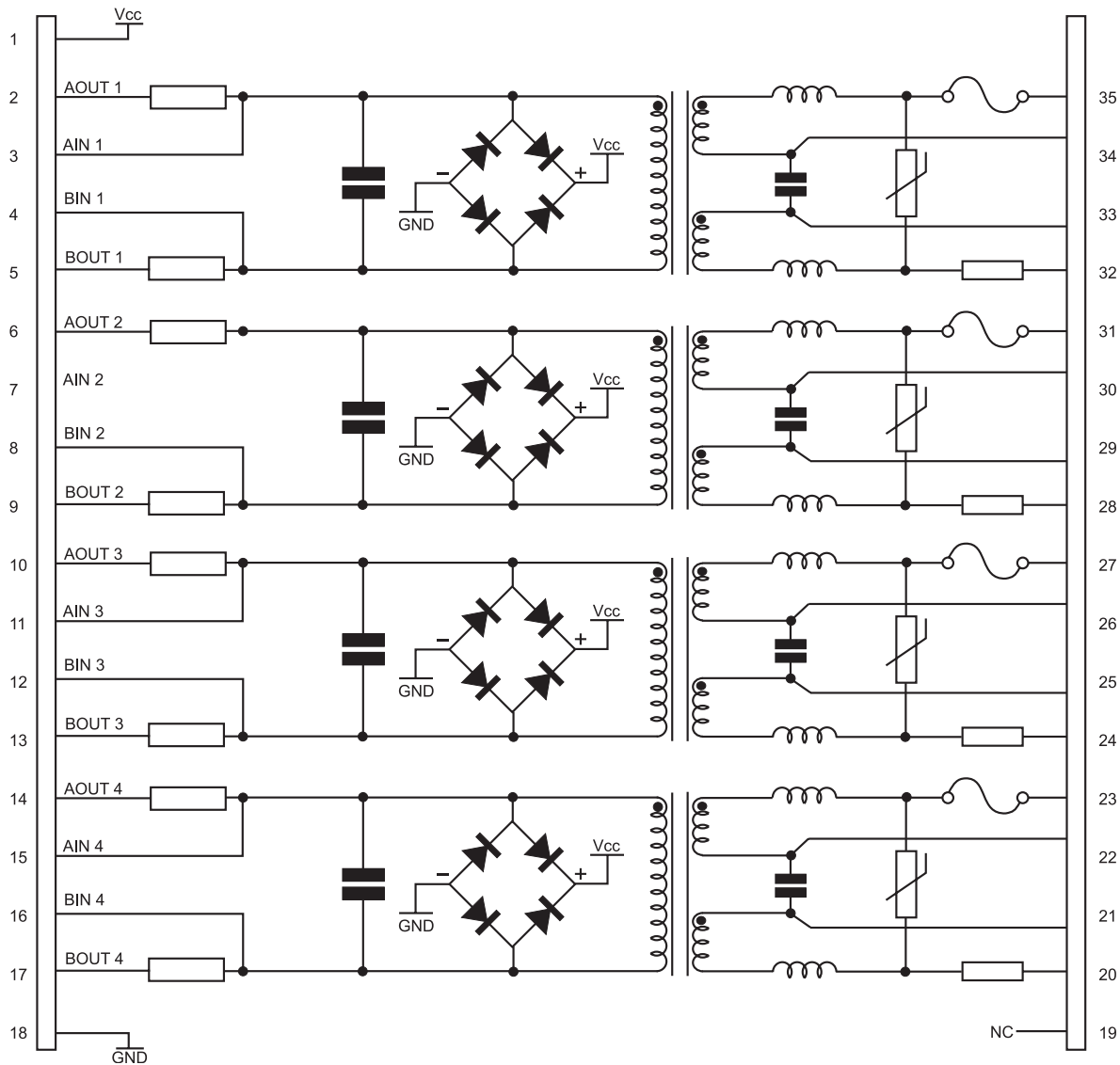
Turns Ratio ±5%	Primary Inductance mH min	Leakage Inductance mH min	Primary DCR Ω ±20%	Secondary DCR Ω ±20%	Choke	
					Inductance per Line mH nom	DCR per Line Ω
1 : 0.625 : 0.625	26.5	70	27	13.5	0.04	0.5

MECHANICAL



TOLEANCES ±0.005 [0.02] UNLESS OTHERWISE STATED
ALL DIMENSIONS IN INCHES [MM]

SCHEMATIC



SAFETY NOTE:

THE CIRCUIT ON THE IC SIDE OF THE TRANSFORMER IS A SELV CIRCUIT AND THE CIRCUIT ON THE LINE SIDE OF THE TRANSFORMER IS A TNV CIRCUIT. CIRCUITRY DESIGNATED AS SELV SHALL ONLY BE CONNECTED TO OTHER SELV CIRCUITS (UNDER NORMAL AND SINGLE FAULT CONDITIONS) IN END INSTALLATION.
DO NOT PLACE HYBRID AGAINST ANY OTHER COMPONENT PARTS ATTAINING EXCESSIVE TEMPERATURES.

©2004 Bel Fuse Inc. Specifications subject to change without notice. 02.02.04

CORPORATE

Bel Fuse Inc.
206 Van Vorst Street
Jersey City, NJ 07302
Tel 201-432-0463
Fax 201-432-9542
www.belfuse.com

FAR EAST

Bel Fuse Ltd.
8F / 8 Luk Hop Street
San Po Kong
Kowloon, Hong Kong
Tel 852-2328-5515
Fax 852-2352-3706
www.belfuse.com

EUROPE

Bel Stewart Connector
45/46 Riverside
Medway City Estate
Rochester, Kent ME2 4DP U.K.
Tel 44-1634-722890
Fax 44-1634-716677
www.belfuse.com