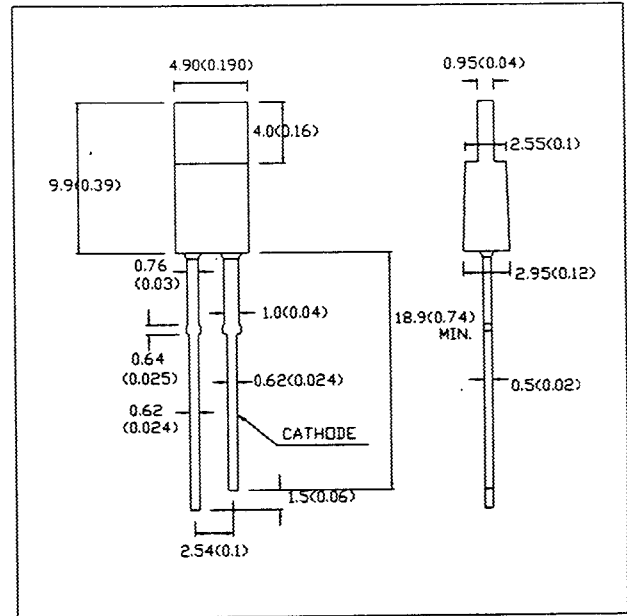


MICRO ELECTRONICS

ULTRA HIGH
BRIGHTNESS
RECTANGULAR BAR
RED LED LAMP

DESCRIPTION

MS73DA is an ultra high brightness output red GaAlAs LED lamp encapsulated in a 1mm x 5mm rectangular bars with red diffused lens.



- All dimension in mm(inch)
- No Scale
- Tol. : +/-0.3mm

ABSOLUTE MAXIMUM RATINGS

Power Dissipation @ $T_a=25^\circ\text{C}$
 Forward Current, DC (IF)
 Reverse Voltage
 Operating & Storage Temperature Range
 Lead Soldering Temperature (1/16" from body)

100mW
 40mA
 5V
 -55 to +100°C
 260°C for 5 sec.

ELECTRO-OPTICAL CHARACTERISTICS ($T_a=25^\circ\text{C}$)

PARAMETER	SYMBOL	MIN	TYP	MAX	UNIT	CONDITIONS
Forward Voltage	VF		1.8	2.4	V	IF=20mA
Reverse Breakdown Voltage	BVR	5			V	IR=100μA
Luminous Intensity	IV	2.2	3.0		mcd	IF=20mA
Peak Wavelength	λ_p		660		nm	IF=20mA
Spectral Line Half Width	$\Delta\lambda$		20		nm	IF=20mA



MICRO ELECTRONICS LTD.

38, Hung To Road, Microtron Building, Kwun Tong, Kowloon, Hong Kong.
 Kwun Tong P.O. Box 69477 Hong Kong. Fax No. 2341 0321 Telex:43510 Micro Hx. Tel: 2343 0181-5