

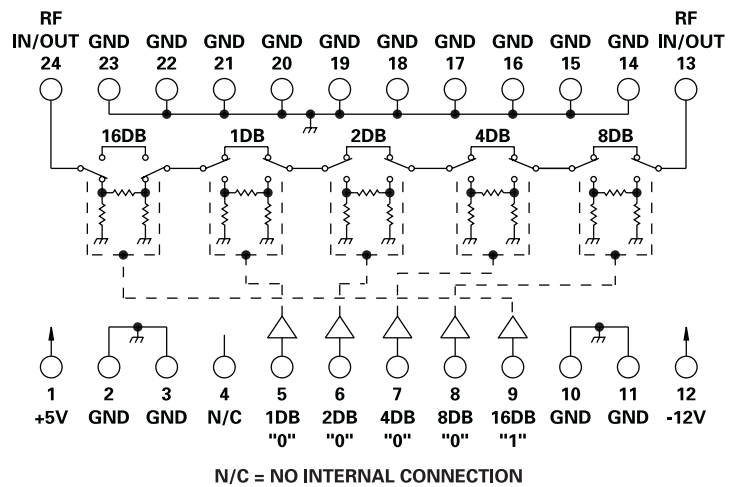
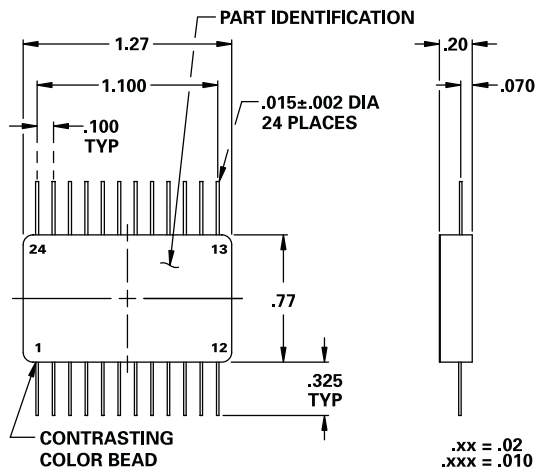
# MODEL NUMBER DAT58032

# GaAs 5 Section Attenuator

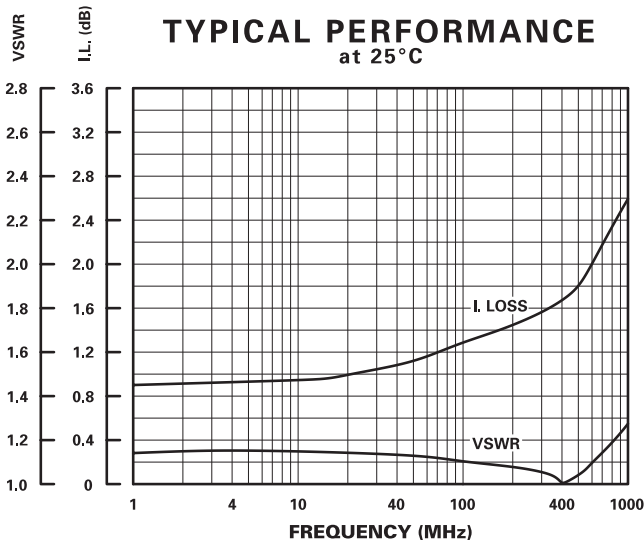
## FEATURES

- DC- 500 MHz
- 1 dB LSB, 31 dB Range
- 100 nSec Switching Speed
- 9 mA, +5 VDC
- 14 mA, -12 VDC
- 24 Pin Flatpack
- See DA0953 for 24 Pin DIP

## 5 BIT



## GUARANTEED PERFORMANCE



Parameter	Min	Typ	Max	Units	Conditions
Operating Frequency	DC		500	MHz	
DC Current		9	30	mA	At +5 VDC Supply
		14	25	mA	At -12 VDC Supply
Control Type		TTL			5 Line Logic "0" = Thru Logic "1" = Attenuation
Control Current	High	0	±40	µA	VIH = +2.0 V
	Low	0	±40	µA	VIL = +0.8 V
Insertion Loss		1.8	3.0	dB	
Attenuation	LSB		1	dB	
	Range		31	dB	1, 2, 4, 8, 16
	Accuracy		±1	dB	
VSWR		1.4/1	1.6/1		
Impedance		50		OHMS	
Switching Speed		100	200	nSec	50% TTL to 90% / 10% RF
Transition (Rise/Fall) Time		40	100	nSec	90% / 10% or 10% / 90% RF
Switching (Video) Transients			-50	dBm	In Band, any 5 MHz Band
Intercept Points	3rd	+30	+45	dBm	35 MHz / 50 MHz
RF Power	Operate		+18	dBm	1.0 dB Compression
	No Damage		+15	dBm	
			+30	dBm	
Operating Temperature		-40	+25	+90	°C TA