



PRELIMINARY

SOLID STATE DEVICES, INC

14849 Firestone Boulevard · La Mirada, CA 90638
Phone: (714) 670-SSDI (7734) · Fax: (714) 522-7424

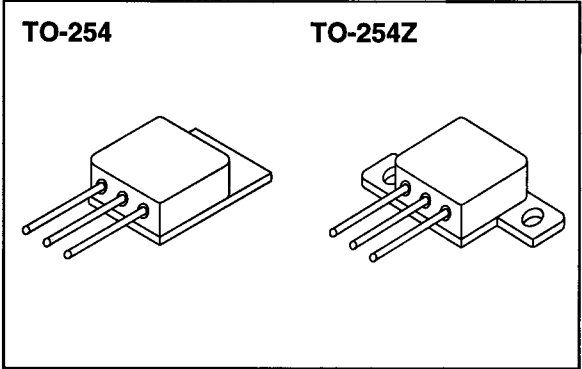
**SSR4045M
SSR4045Z**

Designer's Data Sheet

- FEATURES:**
- Low Reverse Leakage
 - Low Forward Voltage Drop
 - Guard Ring for Overvoltage protection
 - Isolated Hermetically Sealed Power Package
 - Ceramic Seals for Improved Hermeticity
 - Custom Lead Forming Available
 - Eutectic Die Attach
 - 175°C Operating Temperature

 - TX, TXV and Space Level Screening Available

**40 AMP
45 VOLTS
SCHOTTKY
RECTIFIER**



MAXIMUM RATINGS

RATING	SYMBOL	VALUE	UNIT
Peak Repetitive Reverse and DC Blocking Voltage	VRRM	45	Volts
	VRWM		
	VR		
Average Rectified Forward Current (Resistive Load, 60Hz, Sine Wave, TA=25°C)	IO	40	Amps
Peak Surge Current (8.3 ms Pulse, Half Sine Wave Superimposed on IO, allow junction to reach equilibrium between pulses, TA=25°C)	IFSM	600	Amps
Operating and storage temperature	Top & Tstg	-65 to +175	°C
Maximum Thermal Resistance Junction to Case	RθJC	0.9	°C/W

Available with Glass or Ceramic Seals. Contact Factory for Details.

SSR4045M SSR4045Z

PRELIMINARY



SOLID STATE DEVICES, INC

14849 Firestone Boulevard · La Mirada, CA 90638
Phone: (714) 670-SSDI (7734) · Fax: (714) 522-7424

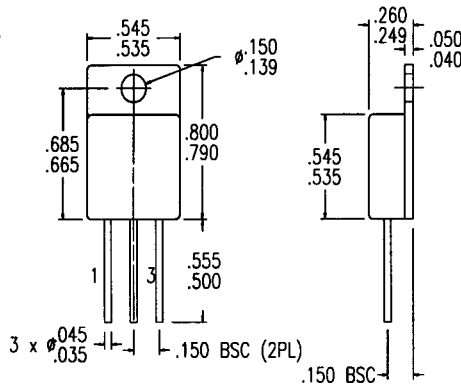
ELECTRICAL CHARACTERISTICS

CHARACTERISTICS	SYMBOL	MAXIMUM	UNIT
Instantaneous Forward Voltage Drop (IF = 10 Adc, TA=25°C, 300µs Pulse) (IF = 20 Adc, TA=25°C, 300µs Pulse) (IF = 40 Adc, TA=25°C, 300µs Pulse)	VF1	0.52 0.63 0.85	Vdc
Instantaneous Forward Voltage Drop (IF = 20 Adc, TA= - 55°C, 300µs Pulse)	VF2	0.73	Vdc
Reverse Leakage Current (Rated VR, TA=25°C, 300µs pulse minimum)	IR1	400	µA
Reverse Leakage Current (Rated VR, TA=100°C, 300µs pulse minimum)	IR2	30	mA
Junction Capacitance (VR = 10 Vdc, TA=25°C, f= 1 MHz)	CJ	1600	pf

CASE OUTLINE: TO-254

PIN OUT:

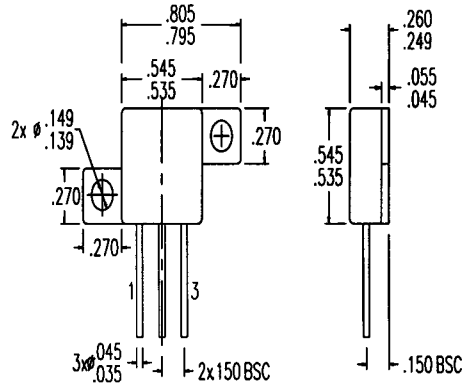
- 1: CATHODE
- 2: ANODE
- PIN 3: ANODE



CASE OUTLINE: TO-254Z

PIN OUT:

- PIN 1: CATHODE
- PIN 2: ANODE
- PIN 3: ANODE



TYPICAL OPERATING CURVES

(TA=25°C Unless otherwise specified)

