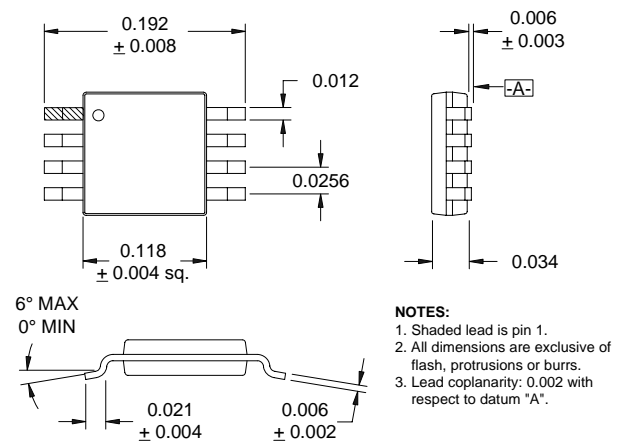


**RoHS Compliant & Pb-Free Product**

- Typical Applications
- 3V Basestation Systems
  - Commercial and Consumer Systems
  - General Purpose Linear IF Amplifier
  - Portable Battery-Powered Equipment

Product Description

The RF2637 is a complete AGC amplifier designed for the receive section of 3V cellular and PCS applications basestations. It is designed to amplify IF signals while providing more than 90dB of gain control range. Noise Figure, IP<sub>3</sub>, and other specifications are designed for basestations. The IC is manufactured on an advanced high frequency SiGe process, and is packaged in a standard miniature 8-lead plastic MSOP package.

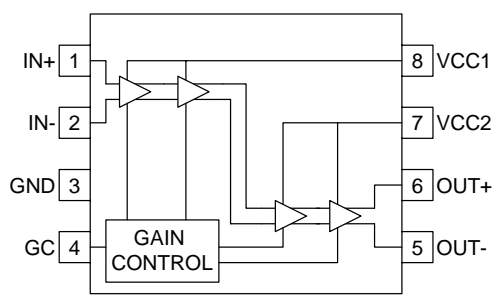


Optimum Technology Matching® Applied

- |                                     |  |                                       |
|-------------------------------------|--|---------------------------------------|
| <input type="checkbox"/> Si BJT     | <input type="checkbox"/> GaAs HBT            | <input type="checkbox"/> GaAs MESFET  |
| <input type="checkbox"/> Si Bi-CMOS | <input checked="" type="checkbox"/> SiGe HBT | <input type="checkbox"/> Si CMOS      |
| <input type="checkbox"/> InGaP/HBT  | <input type="checkbox"/> GaN HEMT            | <input type="checkbox"/> SiGe Bi-CMOS |

Package Style: MSOP-8

- Features
- Supports Basestation Applications
  - -55dB to +51dB Gain Control Range @ 85MHz
  - Single 3V Power Supply
  - -2dBm Input IP<sub>3</sub>
  - 12MHz to 385MHz Operation



Functional Block Diagram

Ordering Information

RF2637	Receive AGC Amplifier
RF2637 PCBA	Fully Assembled Evaluation Board

RF Micro Devices, Inc.  
7628 Thorndike Road  
Greensboro, NC 27409, USA

Tel (336) 664 1233  
Fax (336) 664 0454  
<http://www.rfmd.com>

# RF2637

## Absolute Maximum Ratings

Parameter	Value	Unit
Supply Voltage	-0.5 to +5.0	V <sub>DC</sub>
Control Voltage	-0.5 to +5.0	V <sub>DC</sub>
Input RF Power	+10	dBm
Operating Ambient Temperature	-40 to +85	°C
Storage Temperature	-40 to +150	°C



**Caution!** ESD sensitive device.

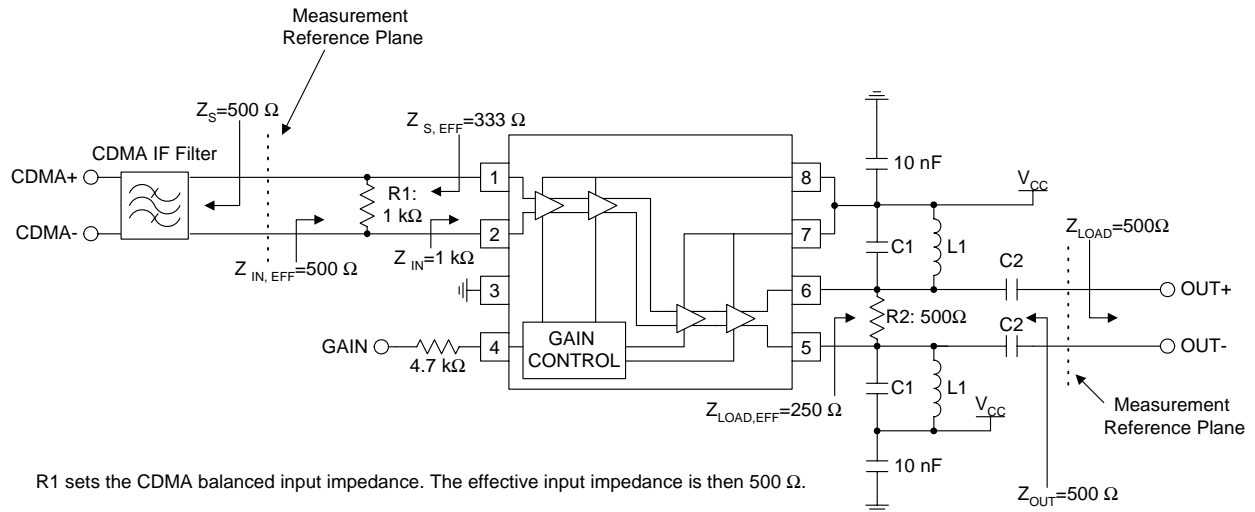
RF Micro Devices believes the furnished information is correct and accurate at the time of this printing. RoHS marking based on EU Directive 2002/95/EC (at time of this printing). However, RF Micro Devices reserves the right to make changes to its products without notice. RF Micro Devices does not assume responsibility for the use of the described product(s).

Parameter	Specification			Unit	Condition
	Min.	Typ.	Max.		
<b>Overall</b>					T=25°C, 85MHz, V <sub>CC</sub> =3.0V, Z <sub>S</sub> =500Ω, Z <sub>L</sub> =500Ω, 500Ω External Input Terminating Resistor, 500Ω External Output Terminating Resistor (Effective Z <sub>S</sub> =333Ω, Effective Z <sub>L</sub> =250Ω) (See Application Example)
Frequency Range		12 to 385		MHz	
Maximum Gain	+40	+51	+65	dB	V <sub>GC</sub> =2.5V, 85MHz
Minimum Gain	-65	-55	-40	dB	V <sub>GC</sub> =0.1V, 85MHz
Maximum Gain	+35	+45	+55	dB	V <sub>GC</sub> =2.5V, 385MHz
Minimum Gain	-68	-58	-48	dB	V <sub>GC</sub> =0.1V, 385MHz
Gain Slope		57		dB/V	Note 1
Gain Control Voltage Range		0 to 2.5		V <sub>DC</sub>	Source impedance of 4.7kΩ
Gain Control Input Impedance		30		kΩ	
Noise Figure		5	7.2	dB	At maximum gain and 85MHz
Input IP <sub>3</sub>	-46	-40		dBm	At +40dB gain, referenced to 500Ω
		-2		dBm	At minimum gain, referenced to 500Ω
Stability (Max VSWR)	10:1				Spurious < -70dBm
<b>IF Input</b>					
Input Impedance		1		kΩ	CDMA, differential
<b>Power Supply</b>					
Voltage		2.7 to 3.4		V	
Current Consumption	6	10	15	mA	Minimum gain, V <sub>CC</sub> =3.0V
	7	11.5	15	mA	Maximum gain, V <sub>CC</sub> =3.0V
<b>Thermal</b>					
Thermal Resistance		150		°C/W	Theta J-Ref 85°C
Maximum Junction Temperature		90		°C	Ref 85°C

Note 1: Measured between a gain control voltage of 1.0V to 1.5V.

Pin	Function	Description	Interface Schematic
1	IN+	CDMA balanced input pin. This pin is internally DC-biased and should be DC-blocked if connected to a device with a DC level other than $V_{CC}$ present. A DC to connection to $V_{CC}$ is acceptable. For single-ended input operation, one pin is used as an input and the other CDMA input is AC-coupled to ground. The balanced input impedance is $1\text{ k}\Omega$ , while the single-ended input impedance is $500\Omega$ .	
2	IN-	Same as pin 2, except complementary input.	See pin 1.
3	GND	Ground connection. For best performance, keep traces physically short and connect immediately to ground plane.	
4	GC	Analog gain adjustment for all amplifiers. Valid control ranges are from 0V to 2.5V. Maximum gain is selected with 2.5V. Minimum gain is selected with 0V. These voltages are only valid for a $4.7\text{ k}\Omega$ DC source impedance.	
5	OUT-	Balanced output pin. This is an open-collector output, designed to operate into a $250\Omega$ balanced load. The load sets the operating impedance, but an external choke or matching inductor to $V_{CC}$ must also be supplied in order to correctly bias this output. This bias inductor is typically incorporated in the matching network between the output and next stage. Because this pin is biased to $V_{CC}$ , a DC-blocking capacitor must be used if the next stage's input has a DC path to ground.	
6	OUT+	Same as pin 5, except complementary output.	See pin 5.
7	VCC2	Supply voltage pin. External bypassing is required. The trace length between the pin and the bypass capacitors should be minimized. The ground side of the bypass capacitors should connect immediately to ground plane.	
8	VCC1	Same as pin 7.	See pin 7.

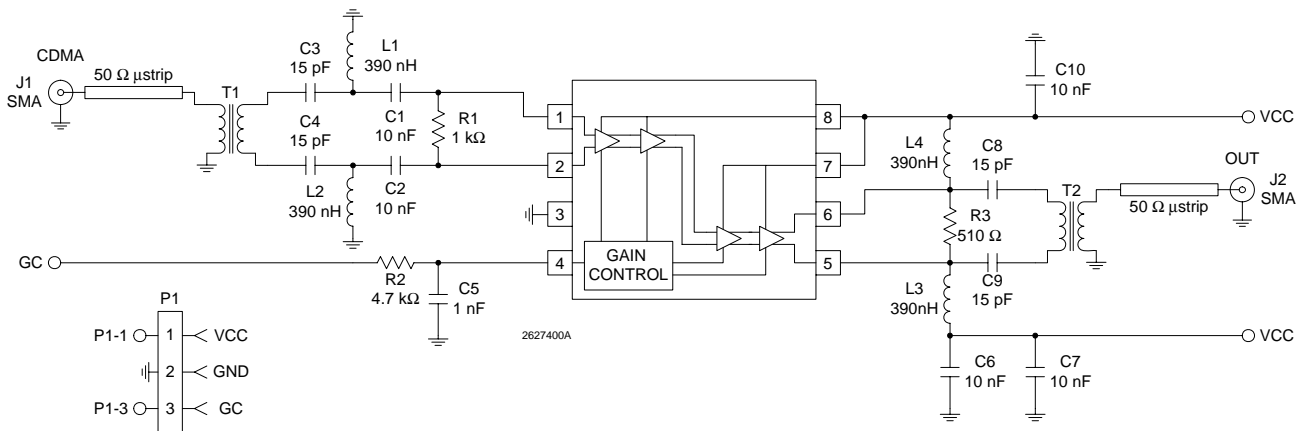
## Application Schematic



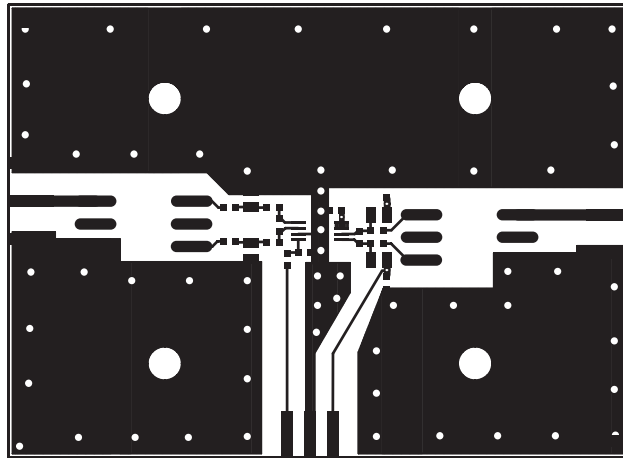
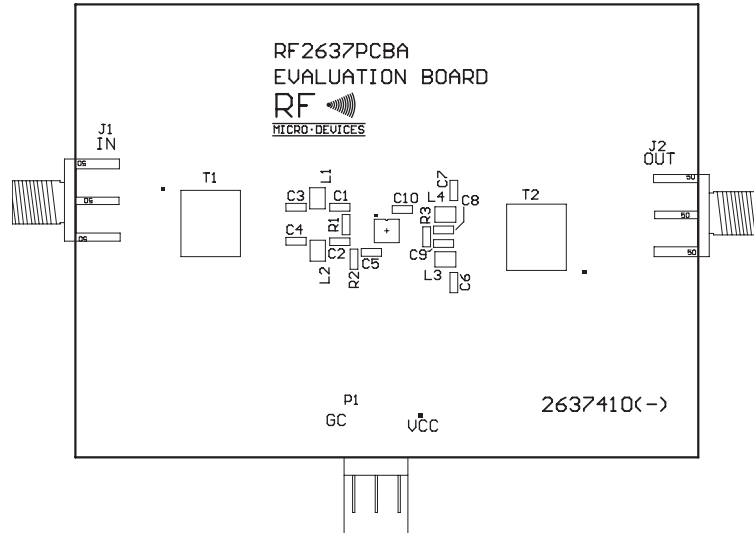
R1 sets the CDMA balanced input impedance. The effective input impedance is then 500 Ω.

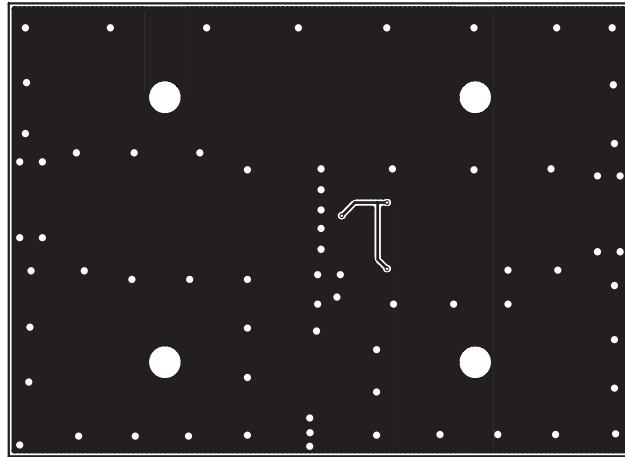
R2 sets the balanced output impedance to 500 Ω. L1 and C2 serve dual purposes. L1 serves as an output bias choke, and C2 serves as a series DC block. In addition, the values of L1 and C2 may be chosen to form an impedance matching network of the load impedance is not 500 Ω. Otherwise, the values of L1 and C1 are chosen to form a parallel-resonant tank circuit at the IF when the load impedance is 500 Ω.

## Evaluation Board Schematic (Download [Bill of Materials](http://www.rfmd.com) from [www.rfmd.com](http://www.rfmd.com).)

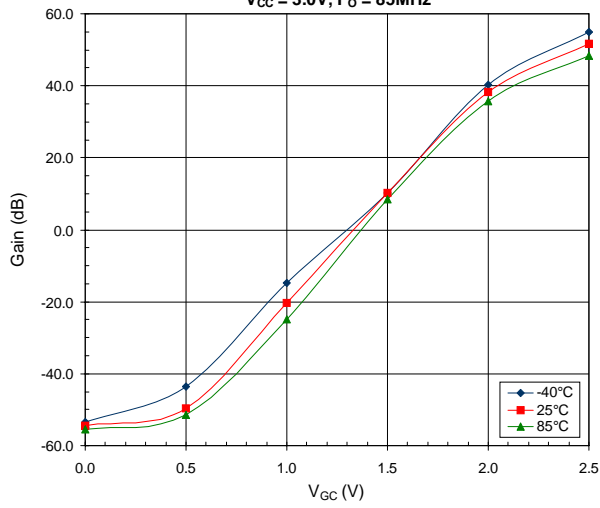


Evaluation Board Layout  
Board Size 2.750" x 2.000"  
Board Thickness 0.031", Board Material FR-4

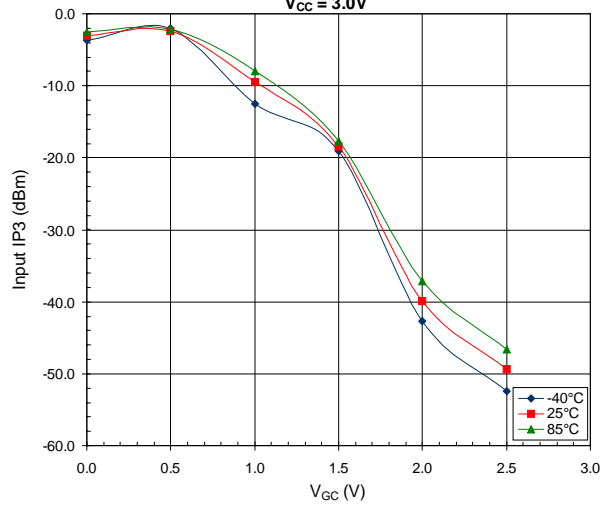




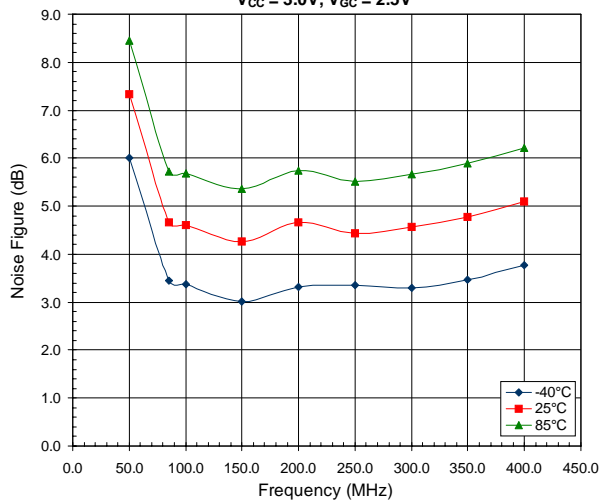
**Gain versus V<sub>GC</sub> Across Temperature,**  
V<sub>CC</sub> = 3.0V, F<sub>O</sub> = 85MHz



**Input IP3 versus V<sub>GC</sub> Across Temperature,**  
V<sub>CC</sub> = 3.0V



**Noise Figure versus Frequency Across Temperature,**  
V<sub>CC</sub> = 3.0V, V<sub>GC</sub> = 2.5V



**RF2637**